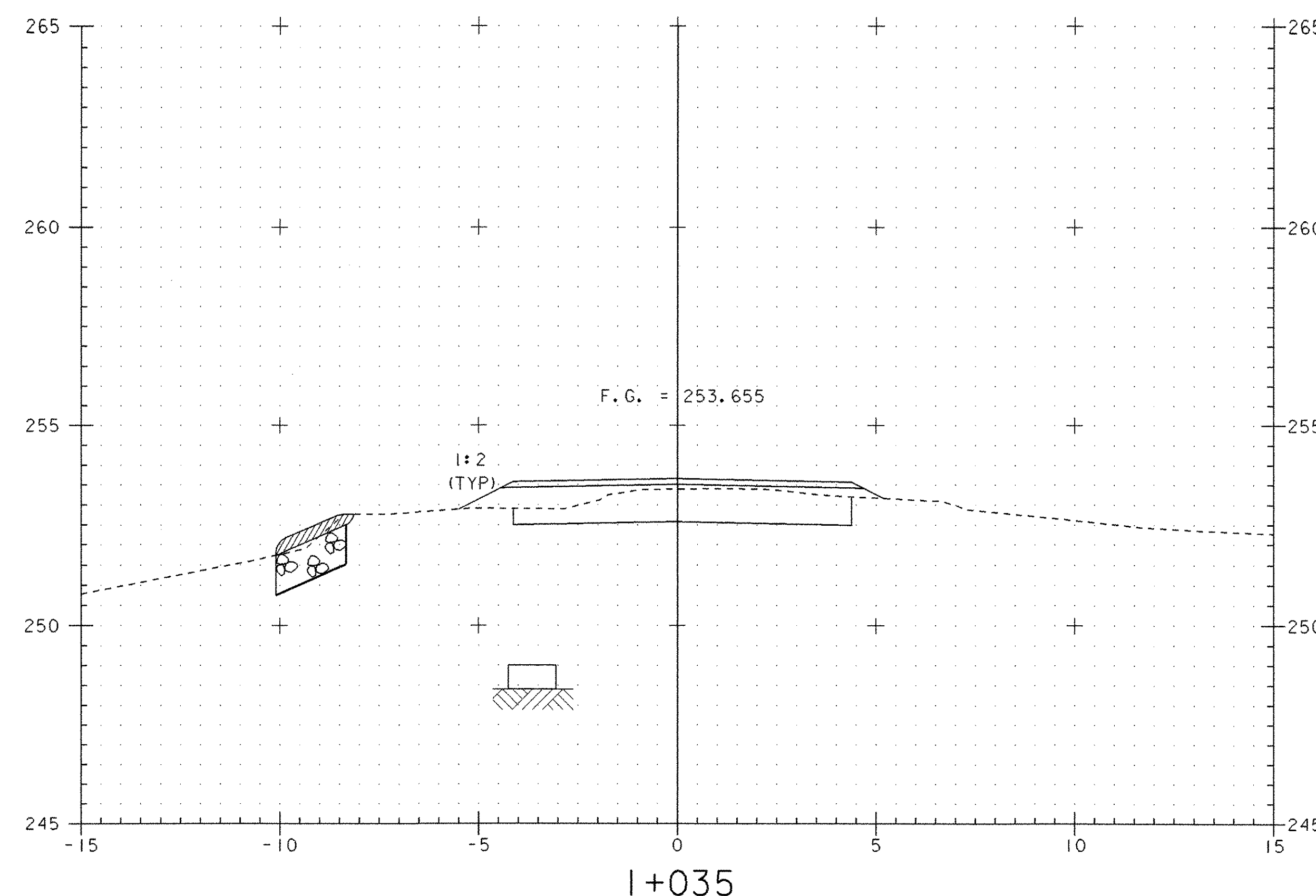
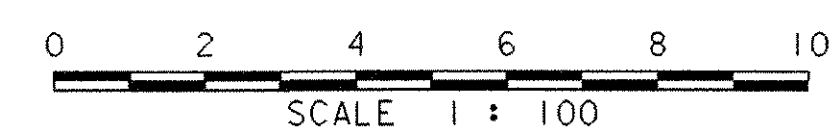
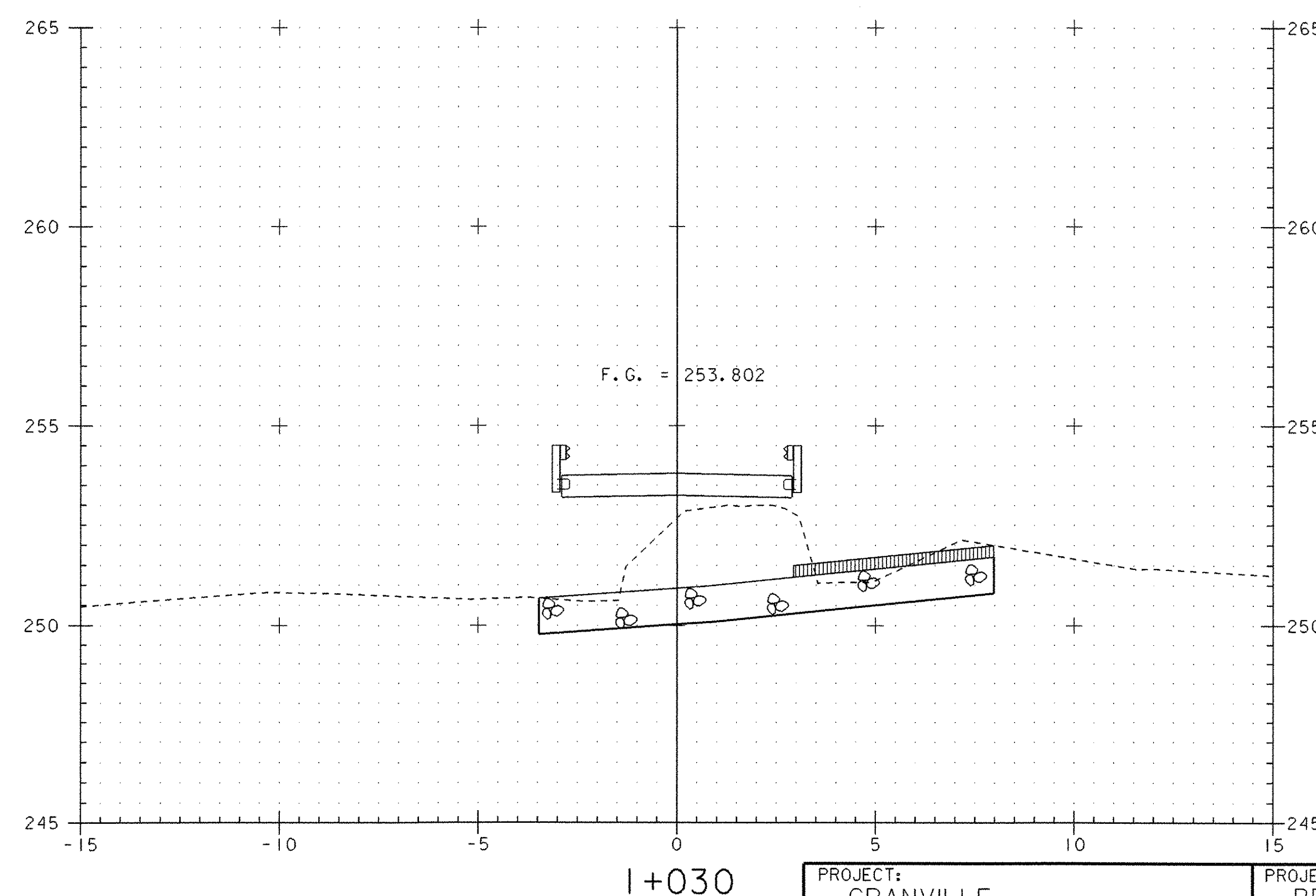
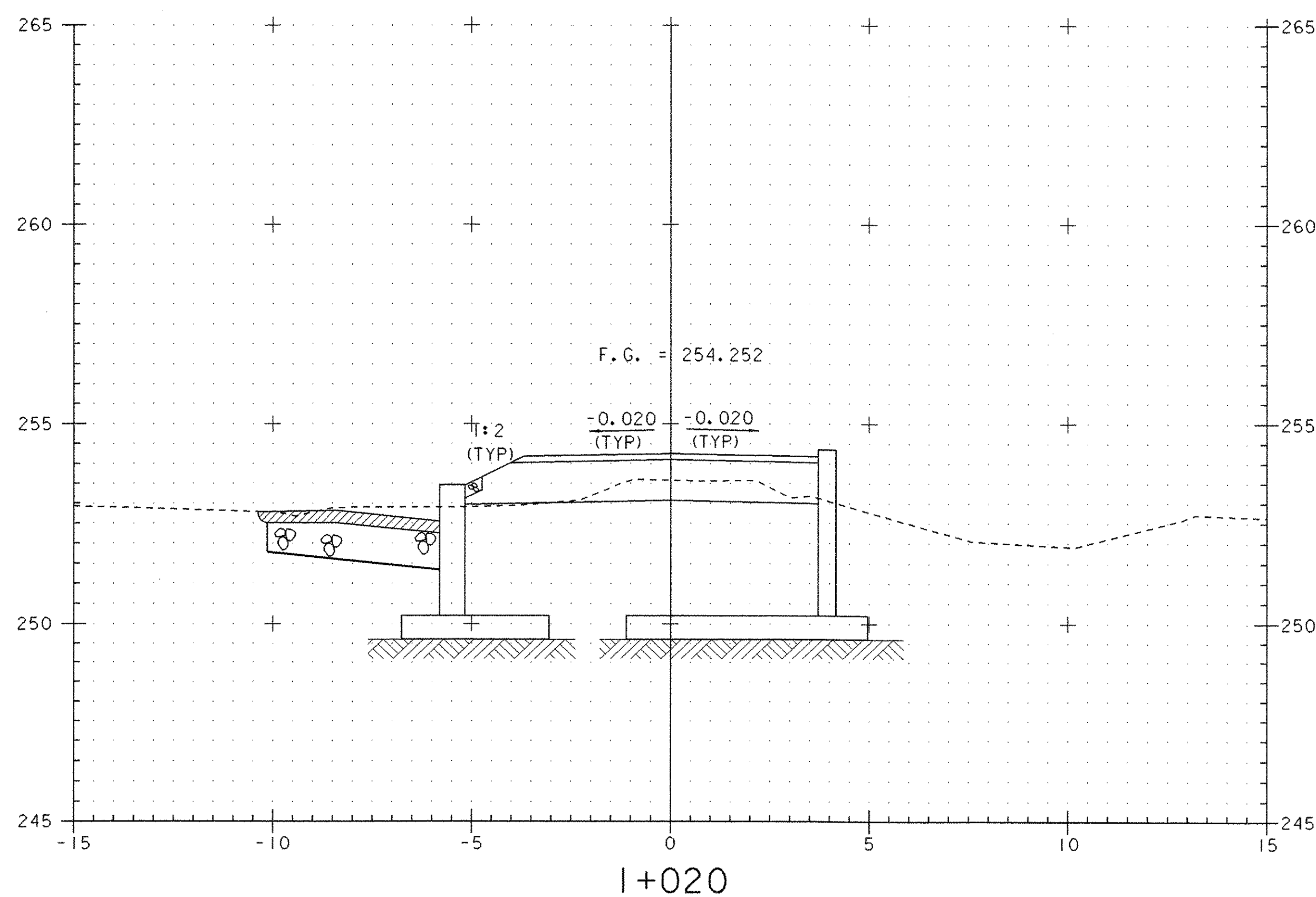


BEGIN BRIDGE
STA 1+020.820



END BRIDGE
STA 1+032.220



PROJECT: GRANVILLE	PROJECT NO.: BRO 1444 (34)
DESIGN FILE NAME: 94j100/structures/sj100xsl.dgn	PLOT DATE: 03-MAR-2006
IPARM FILE NAME: sj100m2.i	
MAINLINE CROSS SECTIONS	
SECTION I+020 THROUGH I+035	SHEET: 35 OF 39