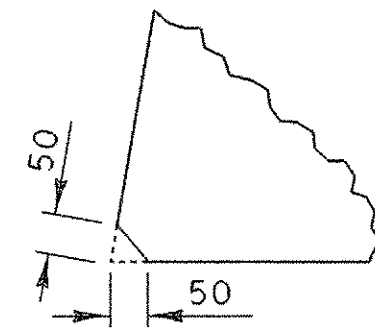
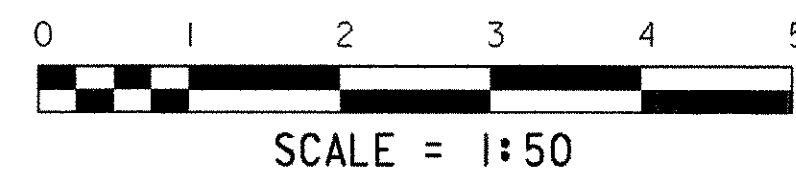
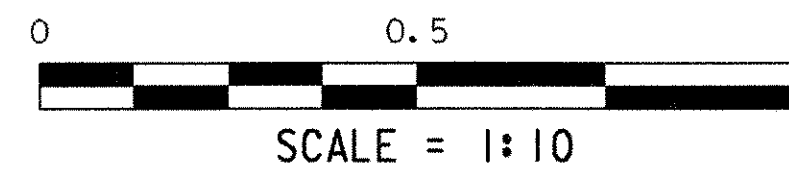


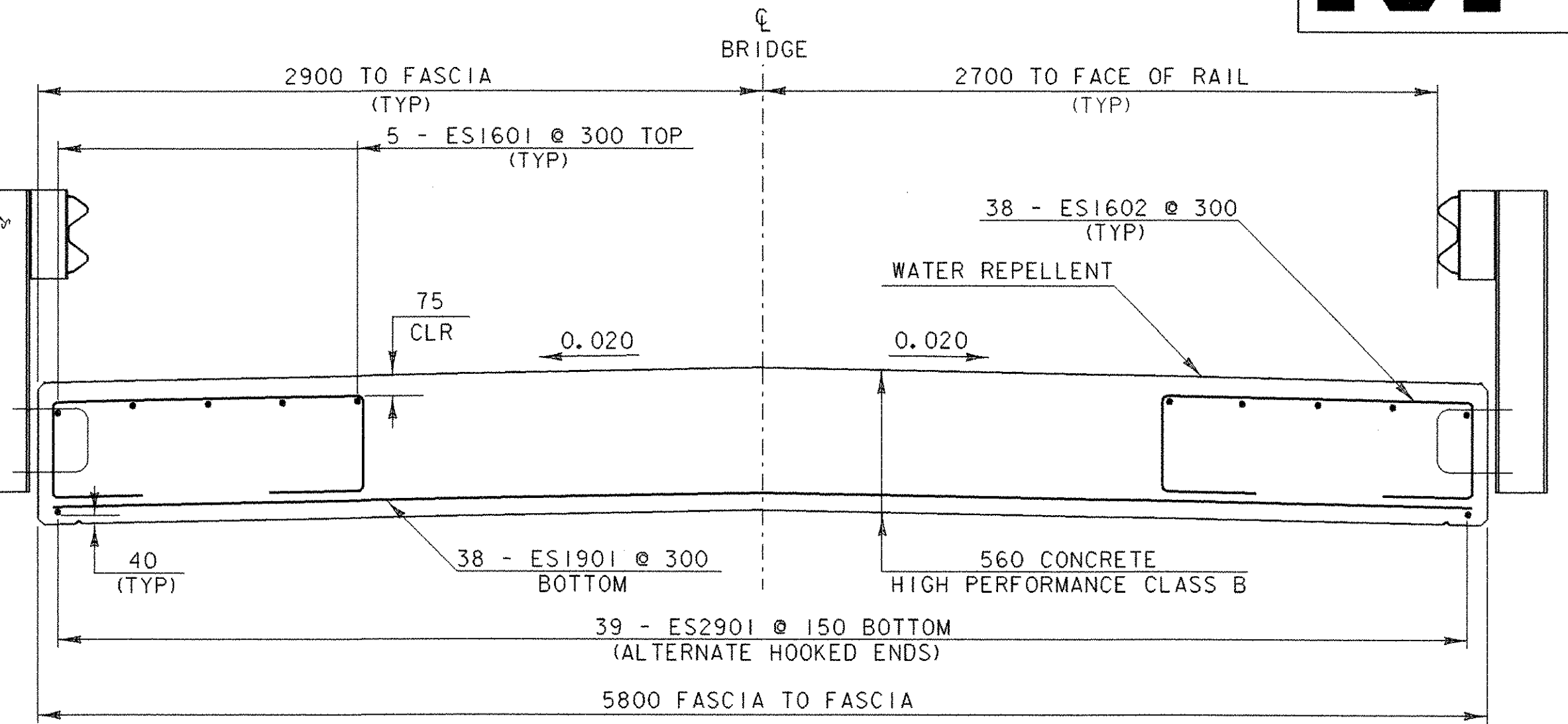
PLAN



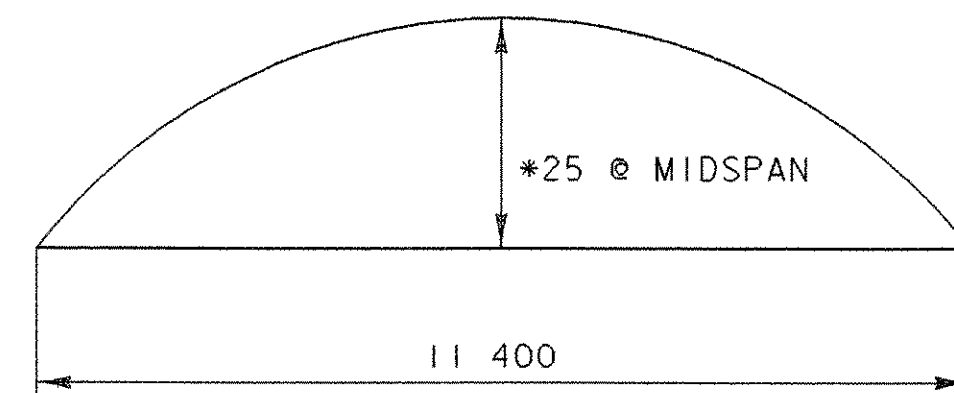
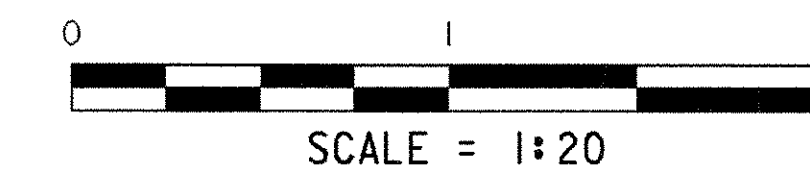
ACUTE ANGLE DETAIL



BRIDGE RAIL
HEAVY DUTY STEEL BEAM
FASCIA MOUNTED (TYP)
SEE STANDARD SB-R6-82m



BRIDGE TYPICAL SECTION

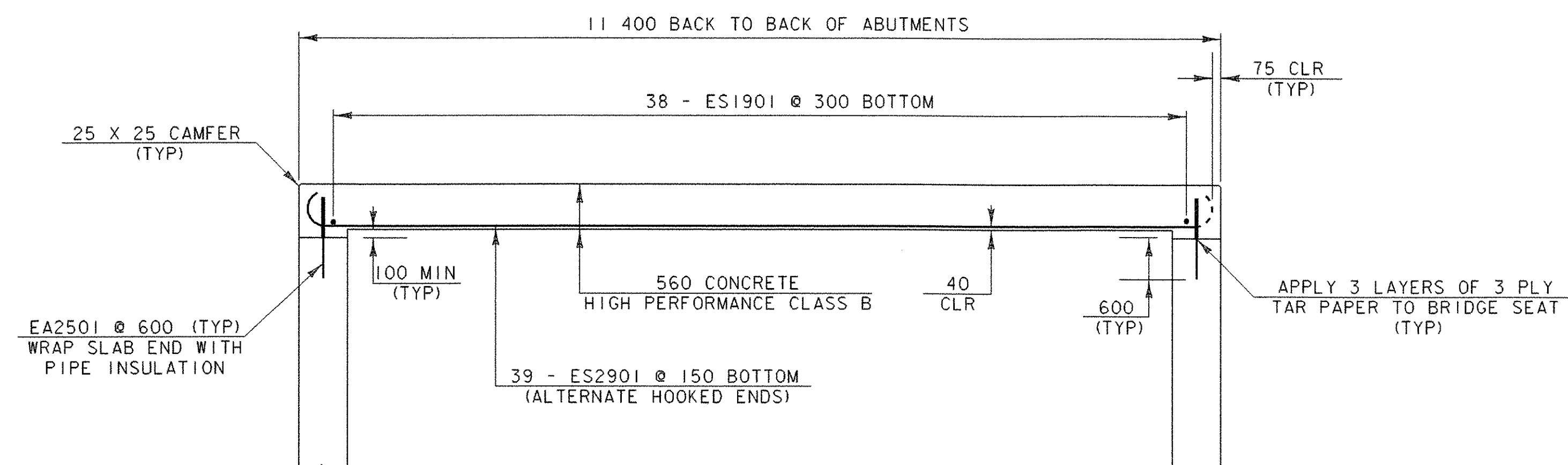


ABUTMENT #1 ABUTMENT #2

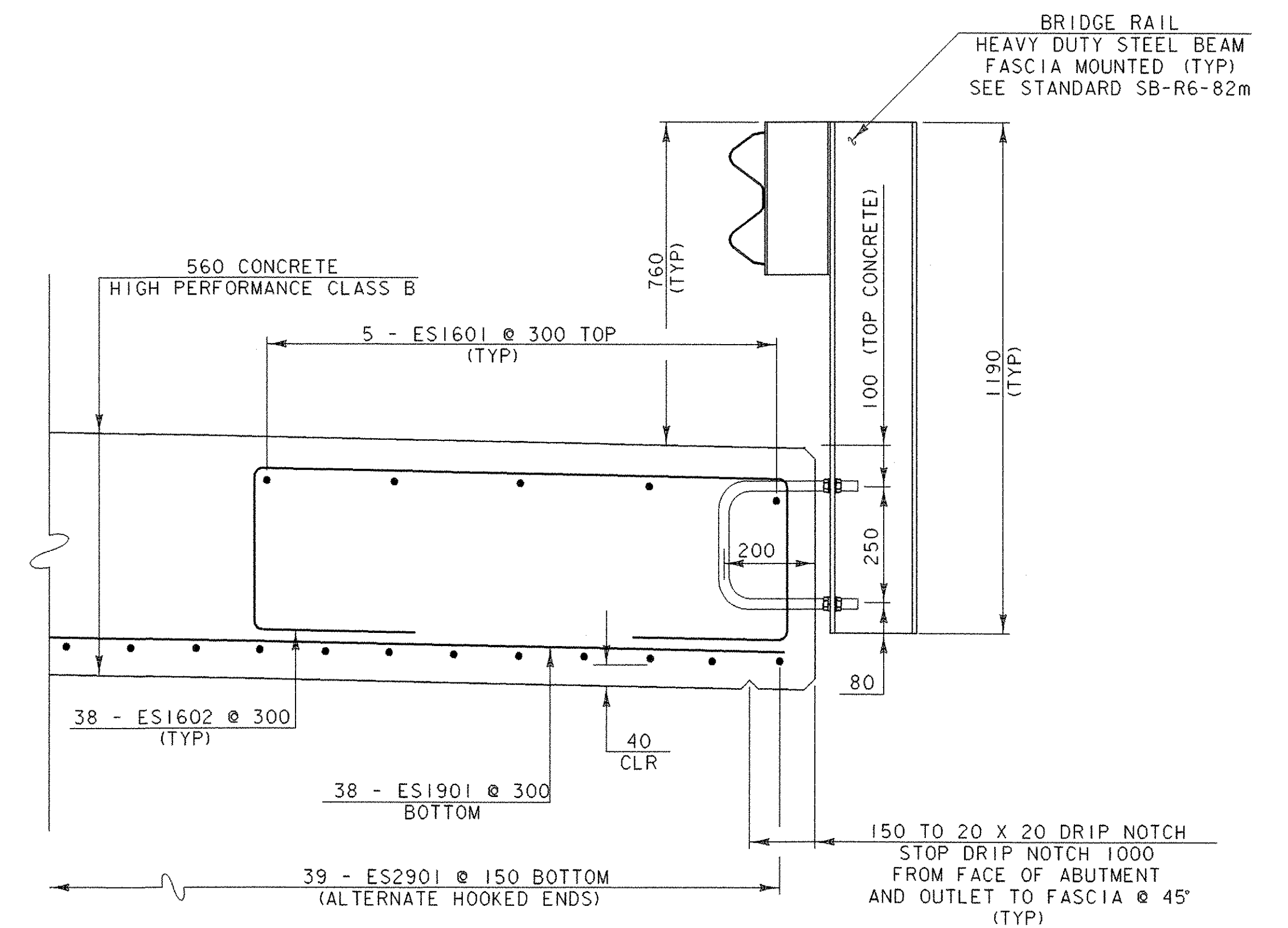
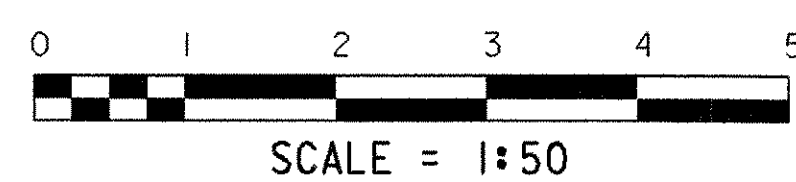
* SET CONSTRUCTION FORMS TO THIS CAMBER
CAMBER SHALL APPROXIMATE A CIRCULAR CURVE

CAMBER

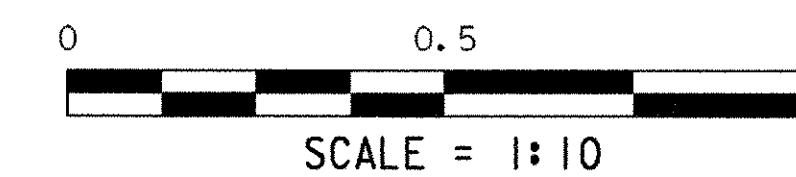
NTS



ELEVATION ALONG ROADWAY



FASCIA & RAILING DETAILS



PROJECT: GRANVILLE	PROJECT NO.: BRO 1444 (34)
DESIGN FILE NAME: 94j100/structures/sj100sup.dgn	PLOT DATE: 03-MAR-2006
IPARM FILE NAME: sj100sup.i	DRAWN BY: N. WARK
DESIGNED BY: N. WARK	CHECKED BY: K. HIGGINS
SQUAD LEADER: C. P. WILLIAMS	SHEET: 16 OF 39
SLAB DETAILS	