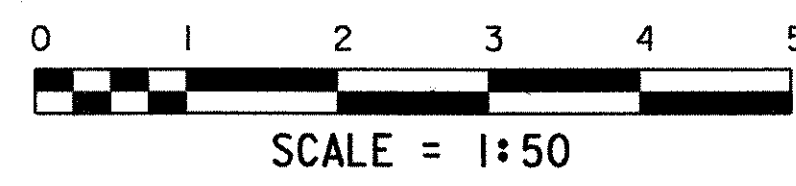
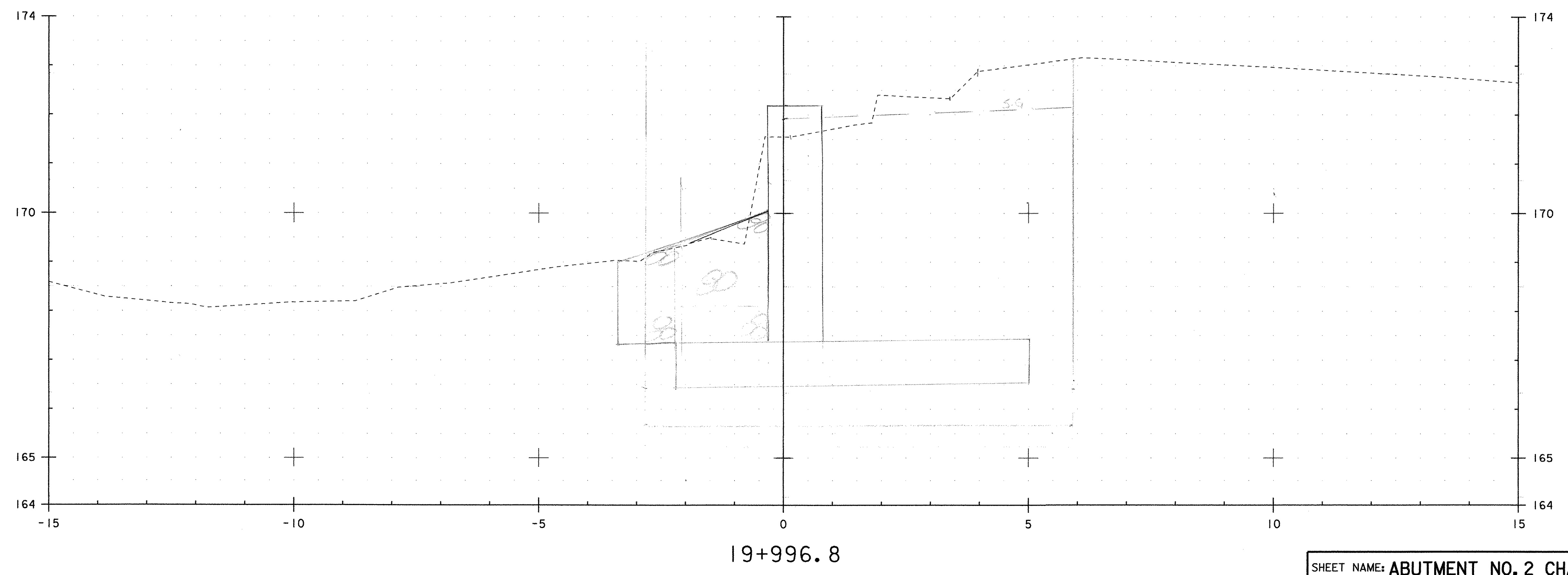
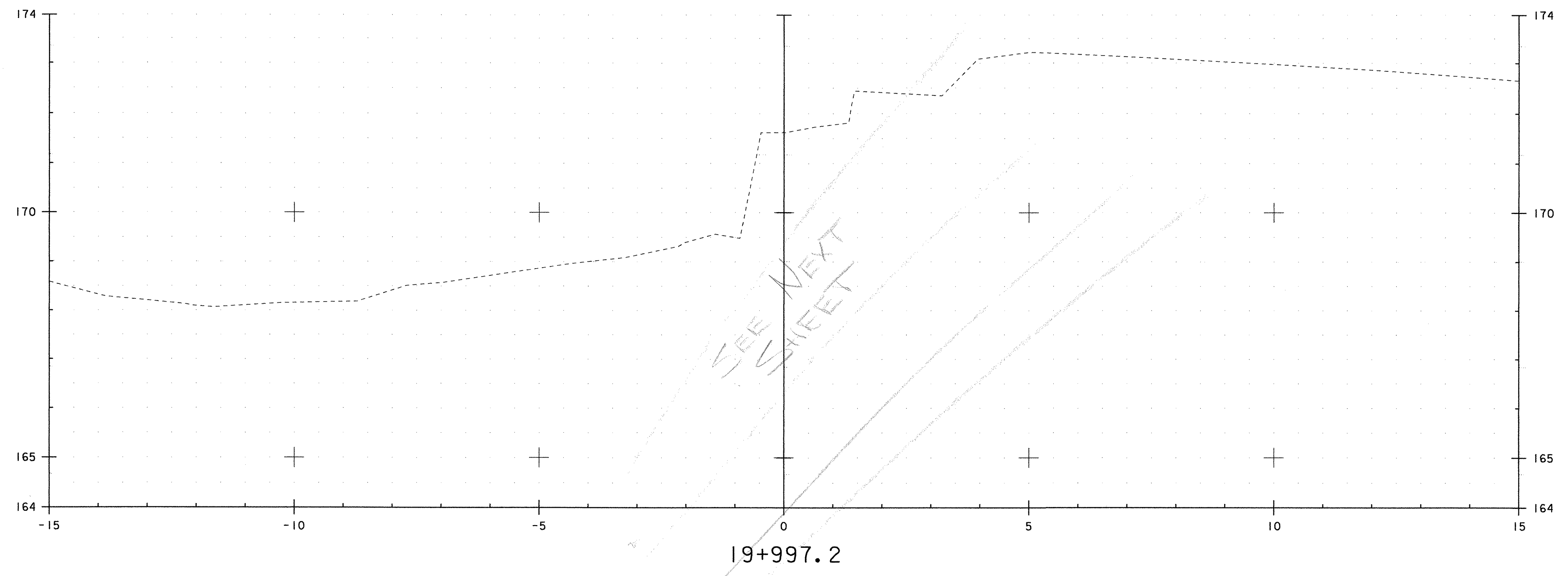


REDESIGN



SHEET NAME: ABUTMENT NO. 2 CHANNEL SECTIONS (5)	
PROJECT NAME: WALLINGFORD	HIGHWAY NO.: TH 60
PROJECT NUMBER: BRO 1443(31)	BRIDGE NO.: 50
	OVER: OTTER CREEK
FILE NAME: /PW/94J084/post bid/sj084xs.dgn	PLOT DATE: 10-MAR-2006
PROJECT MANAGER: R. WHITCOMB	DRAWN BY: G. ROY
DESIGNED BY: C. CARLSON	IPARM NAME: sj084cx10.1
BRIDGE SHEET NUMBER:	SHEET 10 OF 17