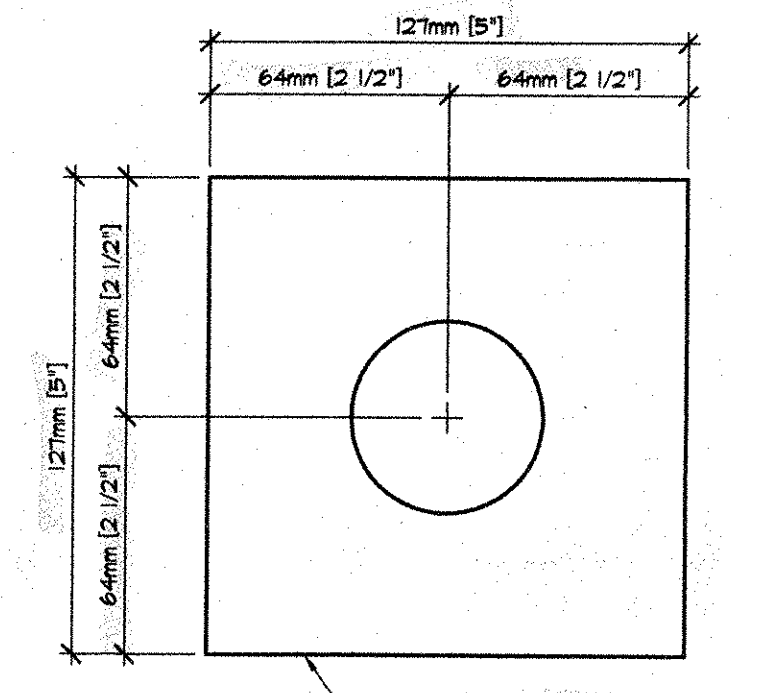
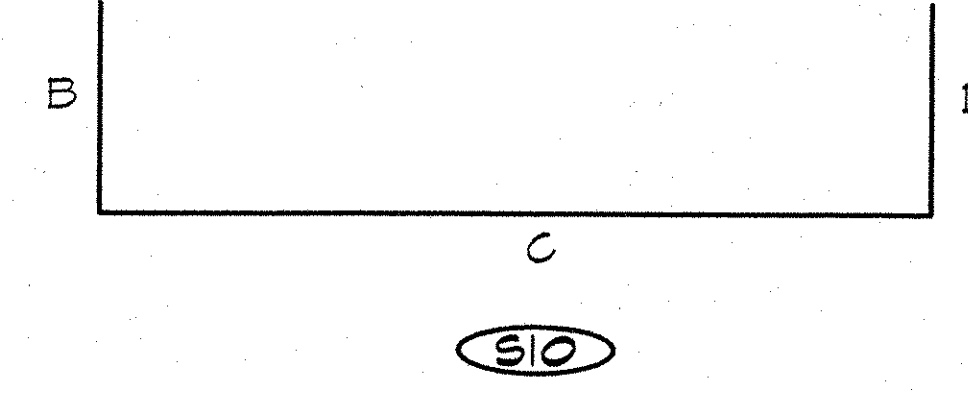
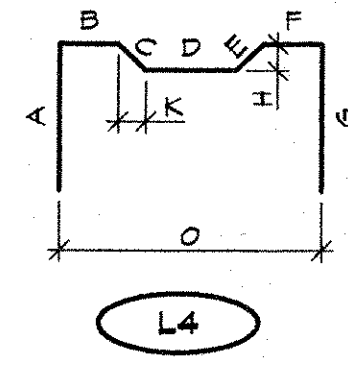


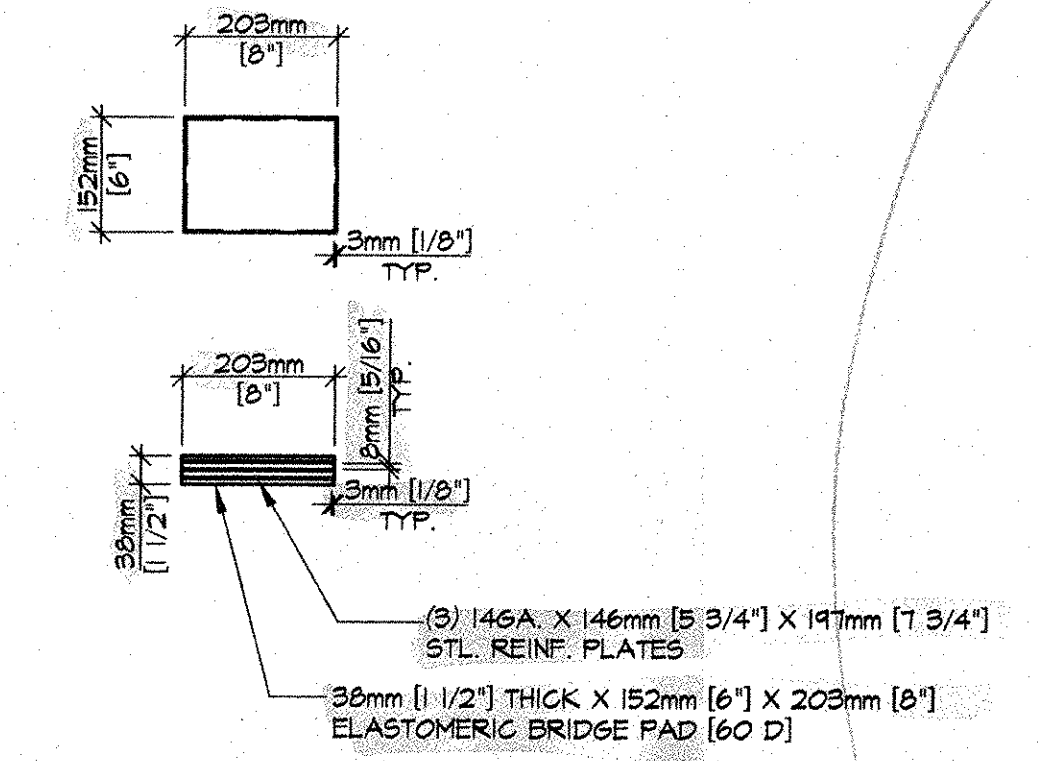
BENT BARS, TIES, & STIRRUPS																		
ITEM	MARK	QTY.	SIZE	LENGTH	TYPE	A	B	C	D	E	F/R	G	H	J	K	O	GRADE	REMARKS
1	1B01E	224	#3 #4	227mm [7'-3 3/4"]	S/O		507mm [1'-11 1/8"]	1105mm [3'-7 1/2"]	507mm [1'-11 1/8"]								420 [60]	EPOXY COATED
2	1B02E	224	#3 #4	1715 [5'-8 1/2"]	S/O		305 [1'-0 1/2"]	1105mm [3'-7 1/2"]	305 [1'-0 1/2"]								420 [60]	EPOXY COATED
3	1B03E	216	#3 #4	1644mm [5'-4 3/4"]	L4	355mm [1'-2"]	254mm [1'-0"]	213mm [8 3/8"]	246mm [11 5/8"]	213mm [8 3/8"]	254mm [1'-0"]	355mm [1'-2"]	150mm [5 7/8"]		150mm [5 7/8"]	1105mm [3'-7 1/2"]	420 [60]	EPOXY COATED
4				1442														
5																		
6																		
7																		
8																		
9																		
10																		
11																		
12																		
13																		
14																		
15																		

MISCELLANEOUS MATERIAL				
ITEM	MARK	QTY.	DESCRIPTION	REMARKS
1	MK-F3	36	MEADOW BURKE HF-42 PRECAST IMBED HANGER	GALVANIZED
2	KL-F4	32	DAYTON 16mm [5/8"] F-42 LOOP FERRULE INSERT	GALVANIZED
3		48	WKF 102 X 102 - M426 X M426 [WKF 4 X 4 - W4.0 X W4.0] 1105mm [3'-7 1/2"] X 600mm [1'-11 5/8"] (E.C.)	EPOXY COATED
5		12	435mm [3'-0 13/16"] X 635mm [2'-10 1/8"] X 406mm [1'-4"] BOX VOID	
6		24	19mm [3/4"] X 140mm [5 1/2"] NON-FERROUS VOID DRAINS	
7		16	SET OF (4) 13mm [1/2"] STRAND LIFTING LOOPS	
8				
9				
10		16	38mm [1 1/2"] THICK X 152mm [6"] X 203mm [8"] ELASTOMERIC BRIDGE PAD	FOR ERECTION (SEE DETAIL, THIS SHEET)
12	EM-1	8	19mm [3/4"] X 127mm [5"] X 127mm [5"] W/ (1) 5mm [2"] HOLE (GALV.)	FOR ERECTION (SEE DETAIL, THIS SHEET)
13		8	SINGLE USE STRESSING CHUCK	FOR ERECTION
14		4	13mm [1/2"] X 515mm [18'-4"] POLYSTRAND	FOR ERECTION
15		12	COMPRESSIBLE SEALER SELF ADHESIVE	FOR ERECTION
16				
17				
18				
19				
20				
21				
22				
23				
24				
25				
26				
27				
28				
29				
30				

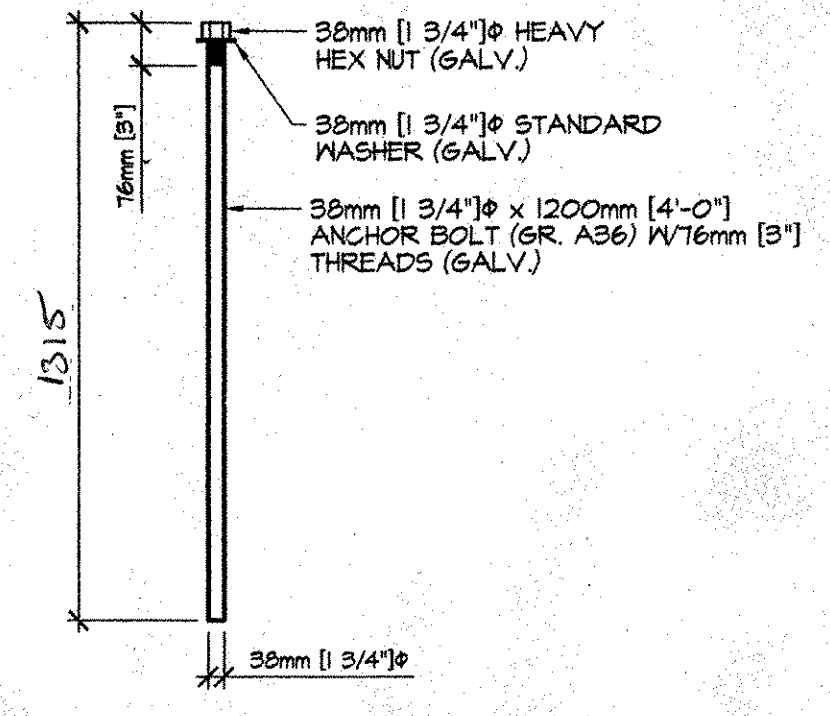


19mm x 127mm x 127mm W/
(1) 5mm HOLE [3/4" x 5"
x 5" W/ (1) 2" HOLE] (GALV.)

EM - 1
1:2



BEARING PAD DETAIL
1:10



ANCHOR BOLT DETAIL
1:20

Modify Schedule
for stirrup bars
added

add

APPROVAL STAMP: RECEIVED CK'D BY <u>JMP</u> OK'D BY <u>AWL</u> MAR 17 2006 RESUBMIT _____ APPROVED <u>MS note</u> BY <u>AWL</u> DATE <u>4-6-06</u>	J.P. CARRARA & SONS INC. Precast & Prestress Manufacturer <small>244 CAGE ST., WOODBURY, VERMONT 05753 Phone: (802) 388-6361 Fax: (802) 388-9010</small>		ALPINE CONSTRUCTION, LLC CONTRACTOR SCHUYLERVILLE, NY
	STATE OF VERMONT A.O.T. COUNTY OF RUTLAND		DATE: FEB. 14, 2006 SCALE: NOTED
	TOWN OF WALLINGFORD PROJECT NUMBER: BRO 1443(B1)		CHKD: B.L. DFTM: B.J.B. JOB NO: 23255-06
	TH 60, CLASS B (LOCAL BRIDGE), BRIDGE NO.50		DWG. NO: M1 043 PCC