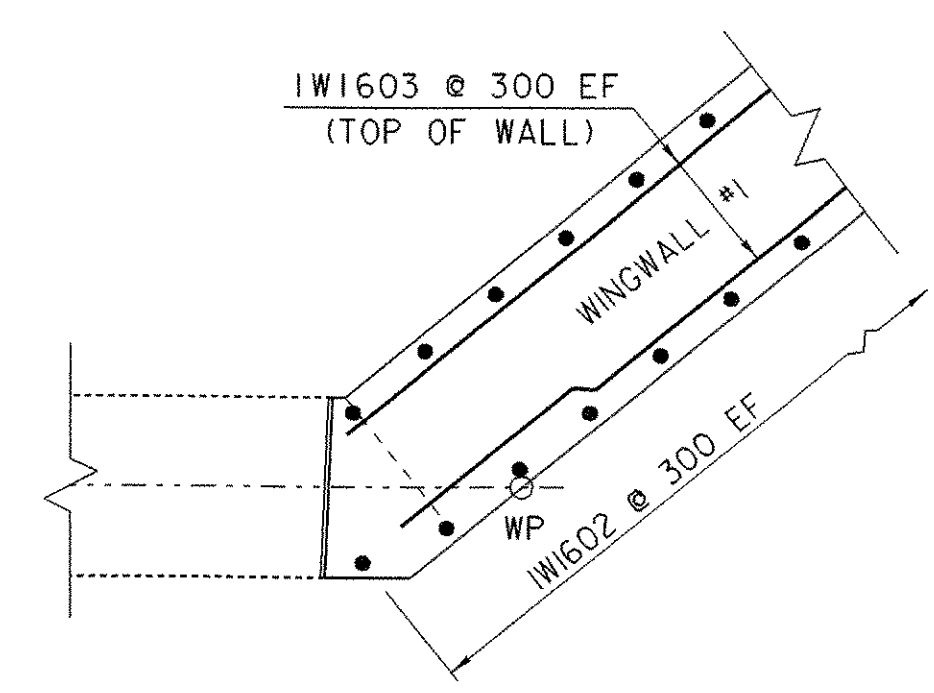
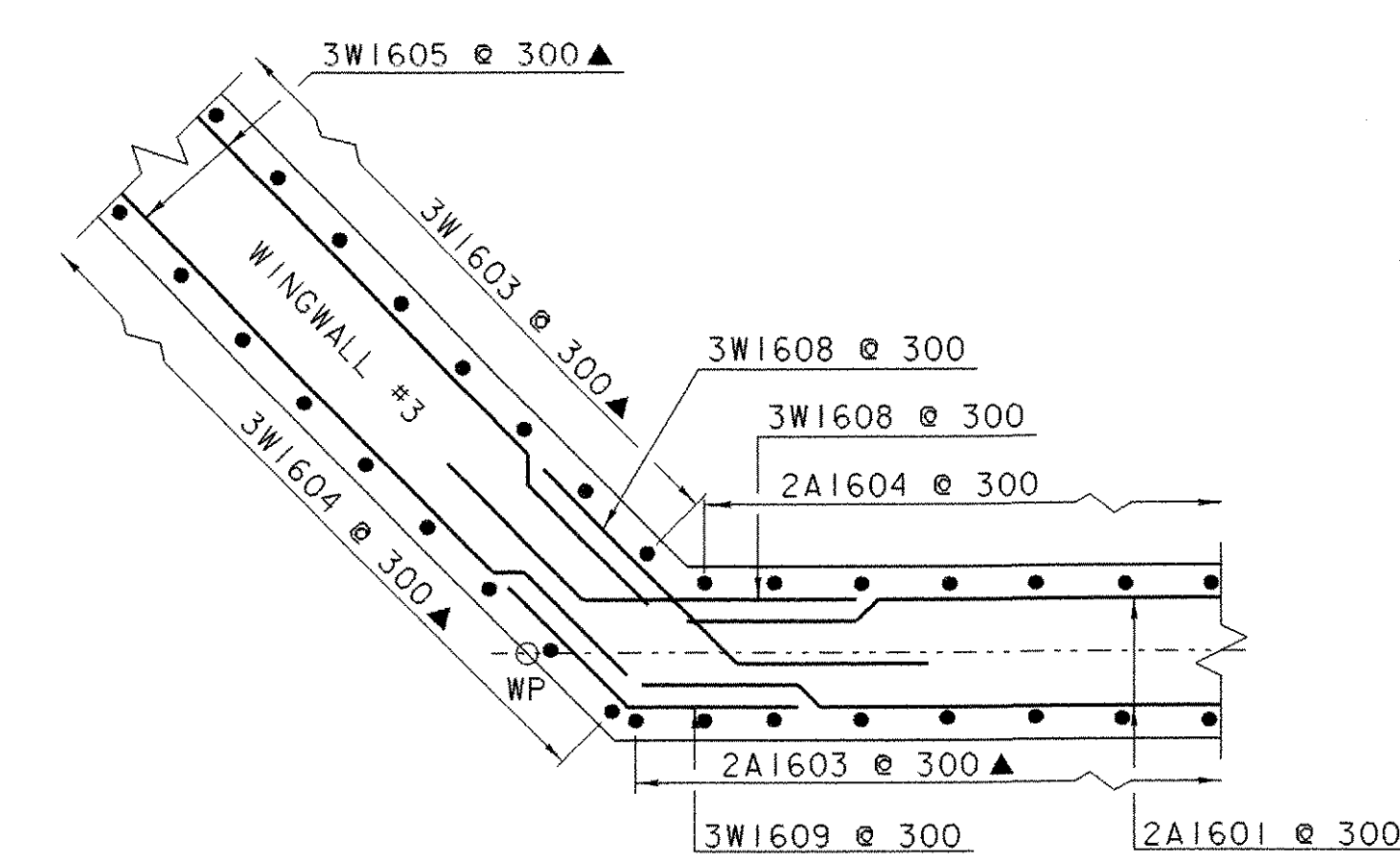


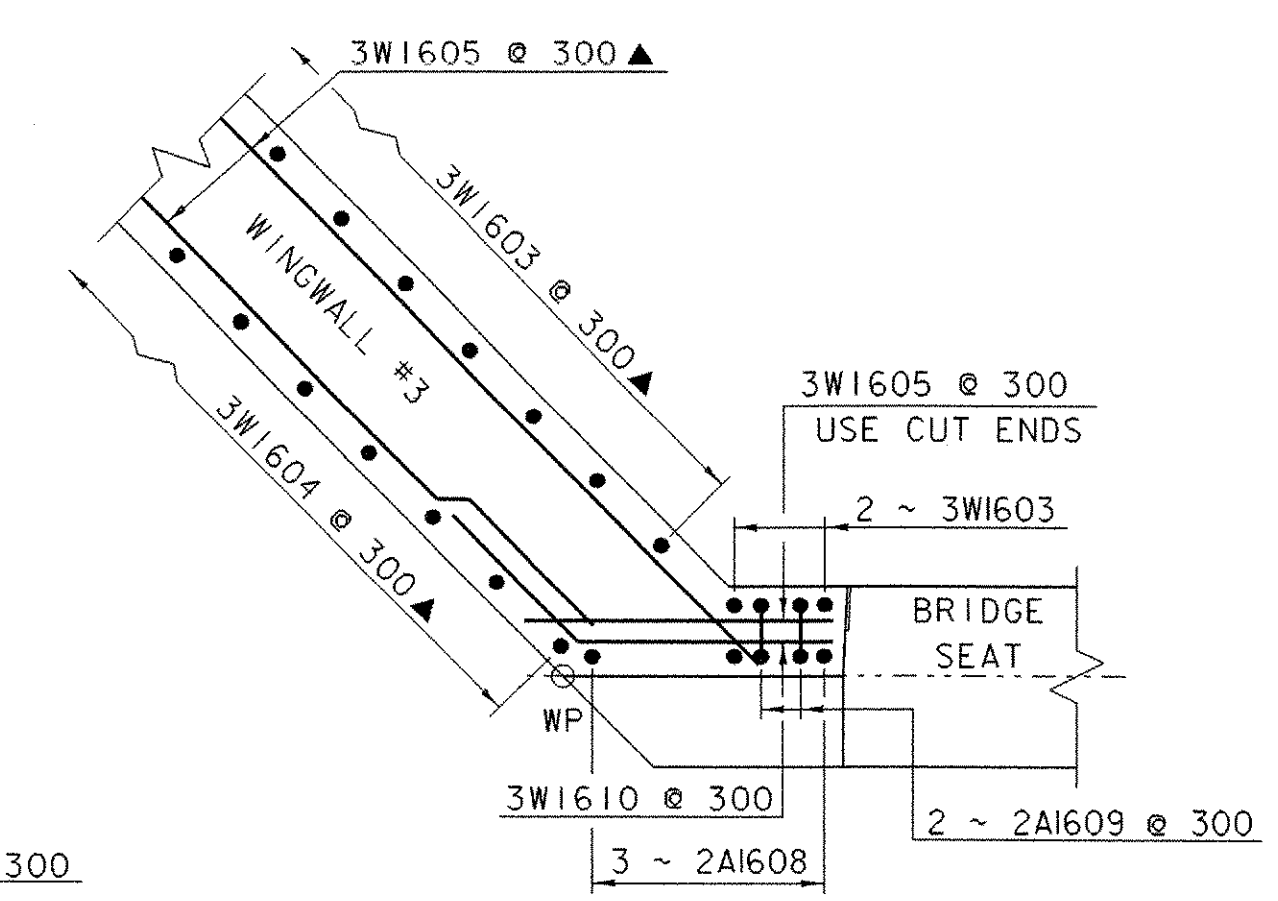
**WINGWALL #1 CORNER DETAIL
BELOW BRIDGE SEAT**
SCALE: 1:25



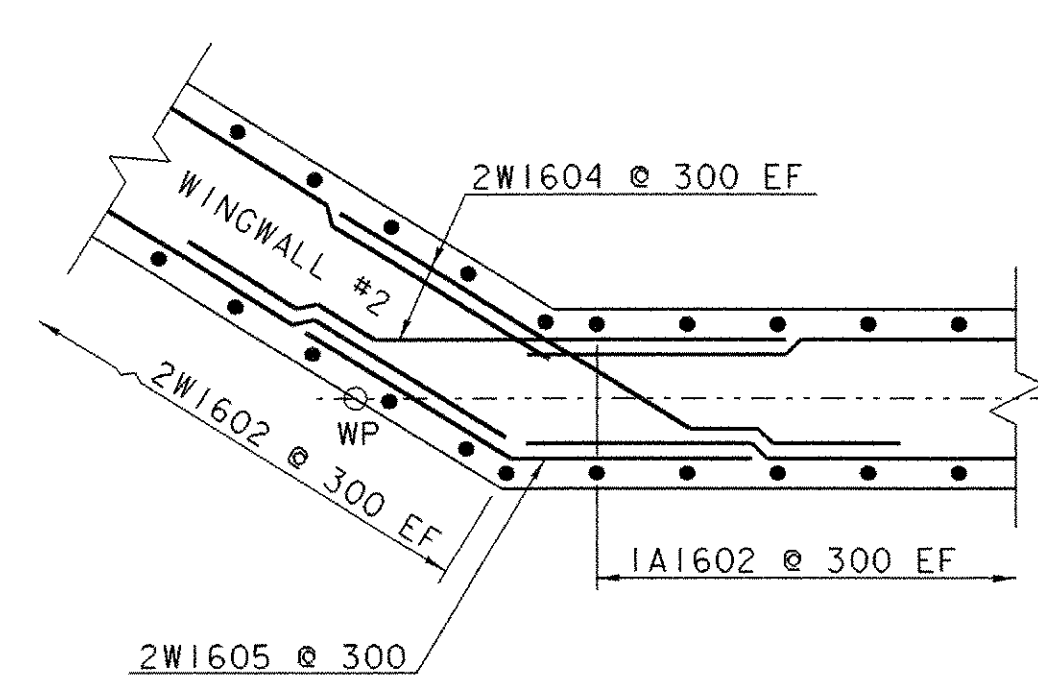
**WINGWALL #1 CORNER DETAIL
ABOVE BRIDGE SEAT**
SCALE: 1:25



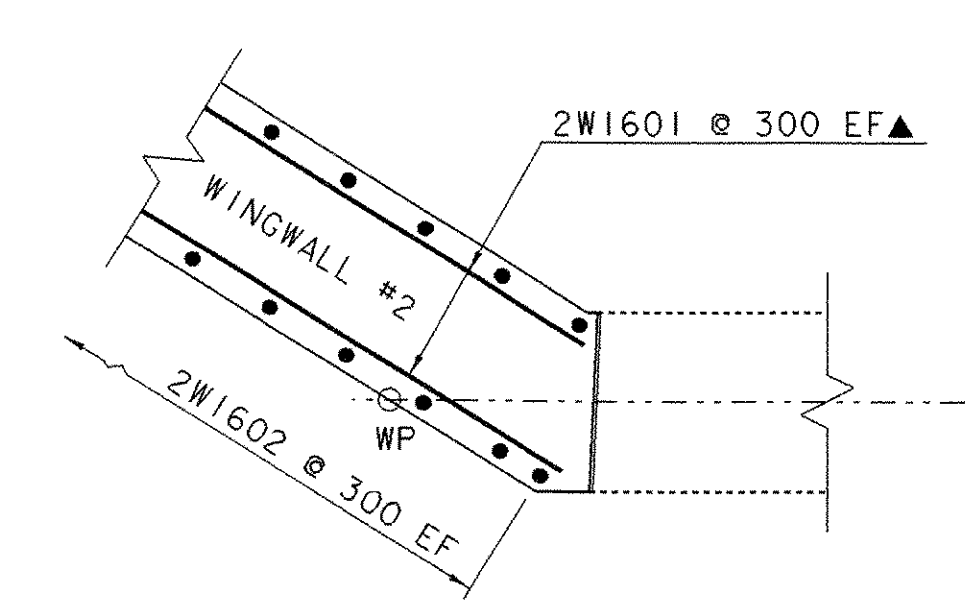
**WINGWALL #3 CORNER DETAIL
BELOW BRIDGE SEAT**
SCALE: 1:25



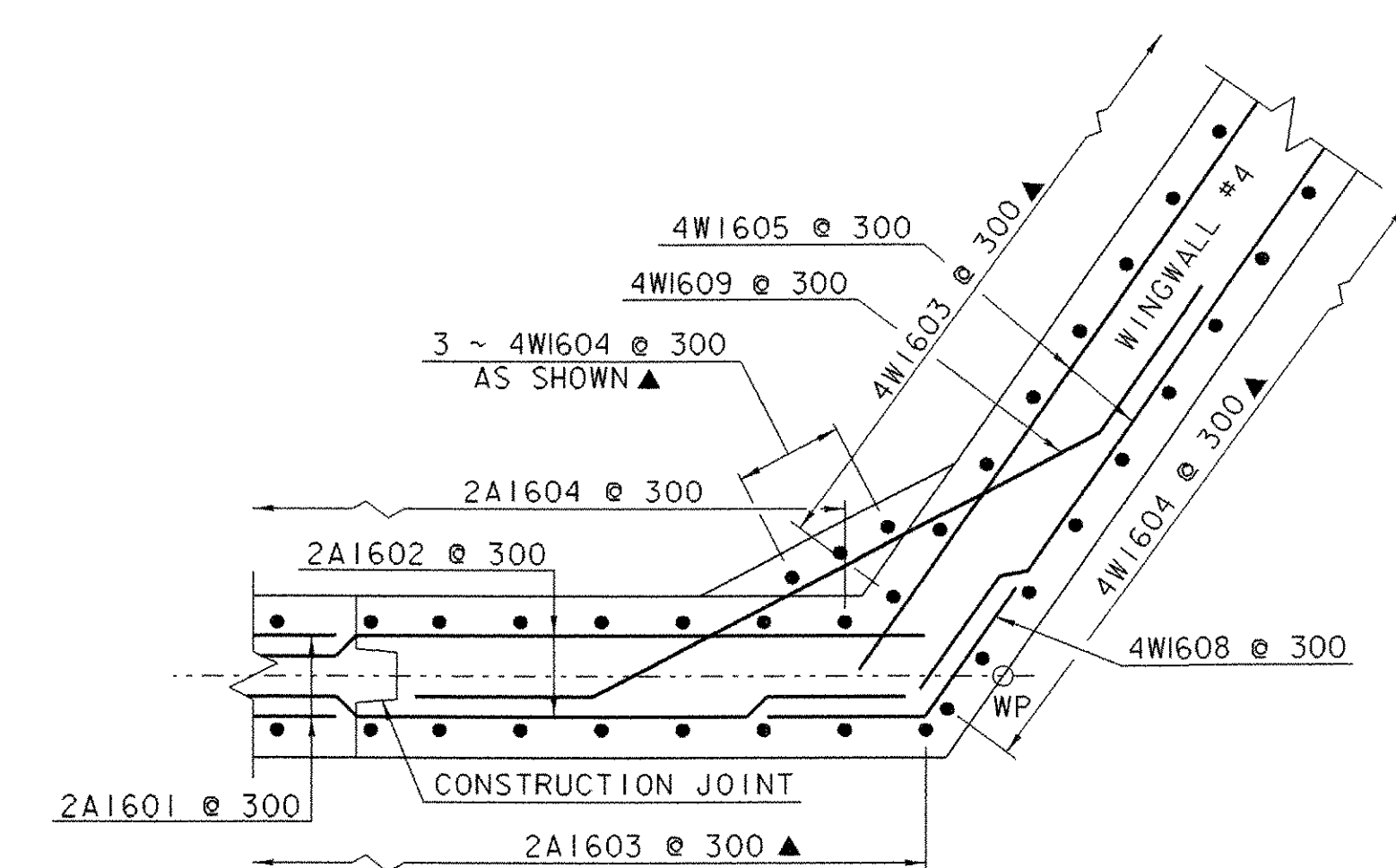
**WINGWALL #3 CORNER DETAIL
ABOVE BRIDGE SEAT**
SCALE: 1:25



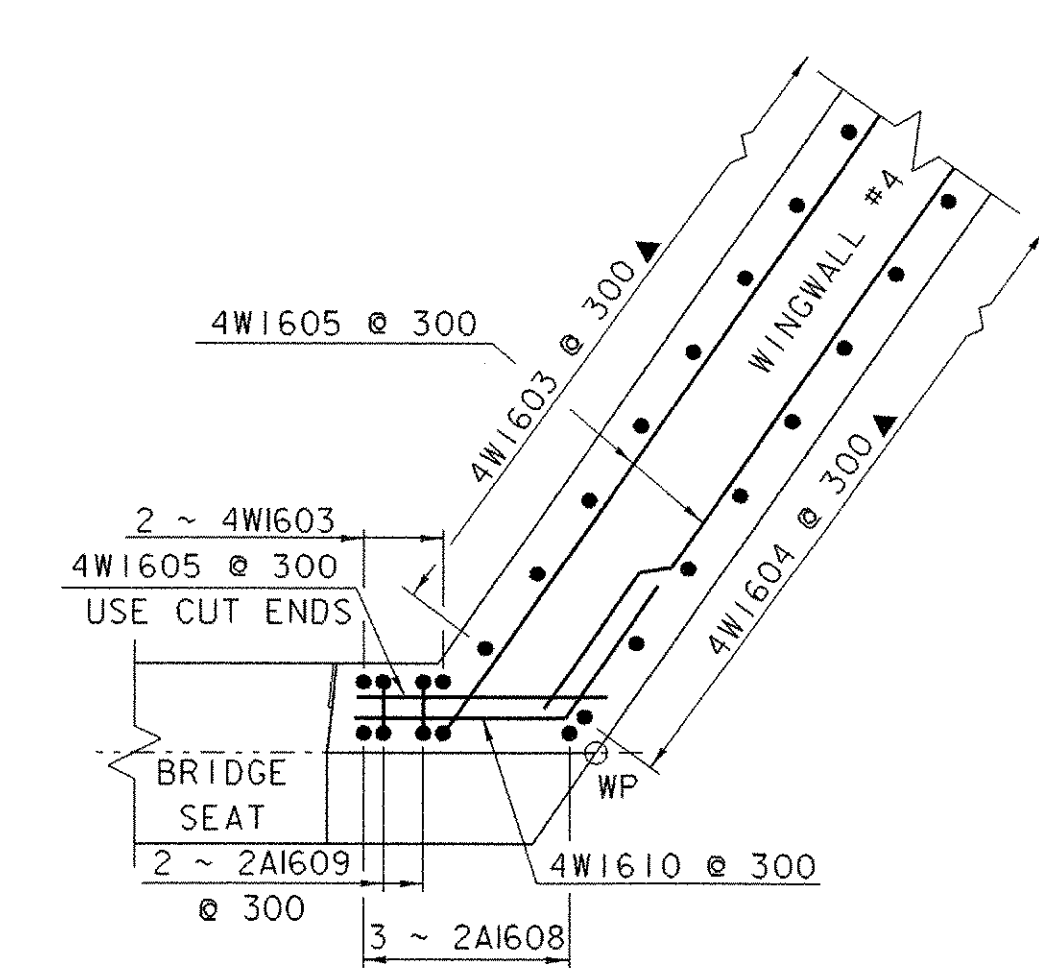
**WINGWALL #2 CORNER DETAIL
BELOW BRIDGE SEAT**
SCALE: 1:25



**WINGWALL #2 CORNER DETAIL
ABOVE BRIDGE SEAT**
SCALE: 1:25



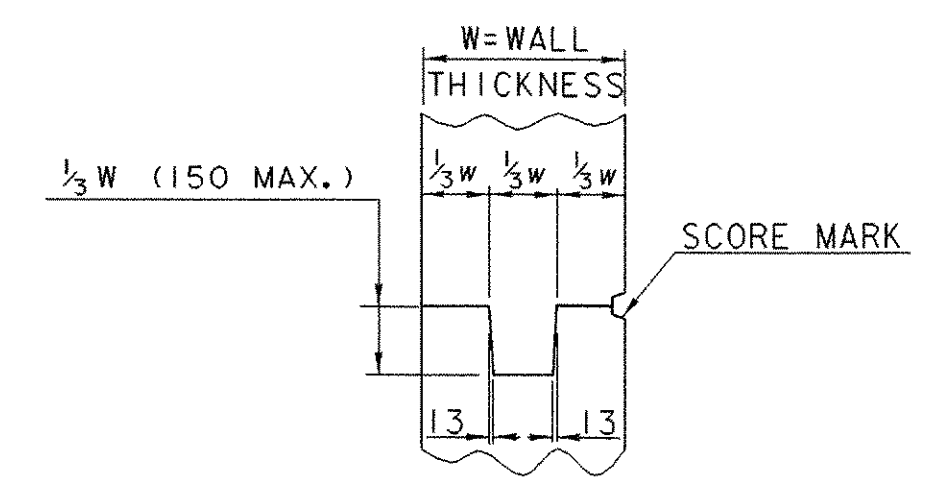
**WINGWALL #4 CORNER DETAIL
BELOW BRIDGE SEAT**
SCALE: 1:25



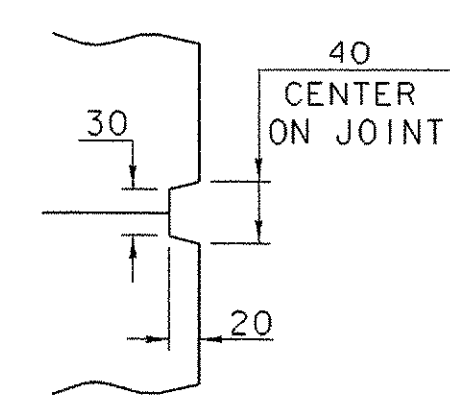
**WINGWALL #4 CORNER DETAIL
ABOVE BRIDGE SEAT**
SCALE: 1:25

NOTES:

1. NF = NEAR FACE
2. FF = FAR FACE
3. EF = EACH FACE
4. ▲ = CUT TO FIT IN FIELD
5. 80 CLEAR UNLESS OTHERWISE SPECIFIED ON THE PLANS



**TYPICAL CONCRETE
CONSTRUCTION JOINT**



SCORE MARK DETAIL

SHEET NAME: ABUTMENT #1 AND #2 CORNER DETAILS		
PROJECT NAME: WALLINGFORD	HIGHWAY NO.: TH 60	
PROJECT NUMBER: BRO 1443(3I)	BRIDGE NO.: 50	
	OVER: OTTER CREEK	
FILE NAME: /PW/94j084/sj084sub.dgn	PLOT DATE: 24-OCT-2005	
PROJECT MANAGER: R. WHITCOMB	DRAWN BY: J. GILMORE	
DESIGNED BY: K. UPMAL	IPARM NAME: sj084wvl.1	
BRIDGE SHEET NUMBER:	SHEET 29 OF 38	