

**SEEDING FORMULA  
RURAL AREAS**



% WT.	kg/ha	NAME	PUR %	GERM %
37.5	26.0	CREeping RED FESCUE	98	85
37.5	26.0	TALL FESCUE	95	90
5.0	4.0	RED TOP	95	90
15.0	10.0	BIRDSFOOT TREFOIL	98	85
5.0	4.0	ANNUAL RYE GRASS	95	85
100.0	70.0			

**GENERAL NOTES**

SEED MIXTURE: SHALL NOT HAVE A WEED CONTENT EXCEEDING 0.40% BY WEIGHT AND SHALL BE FREE OF ALL NOXIOUS SEED.

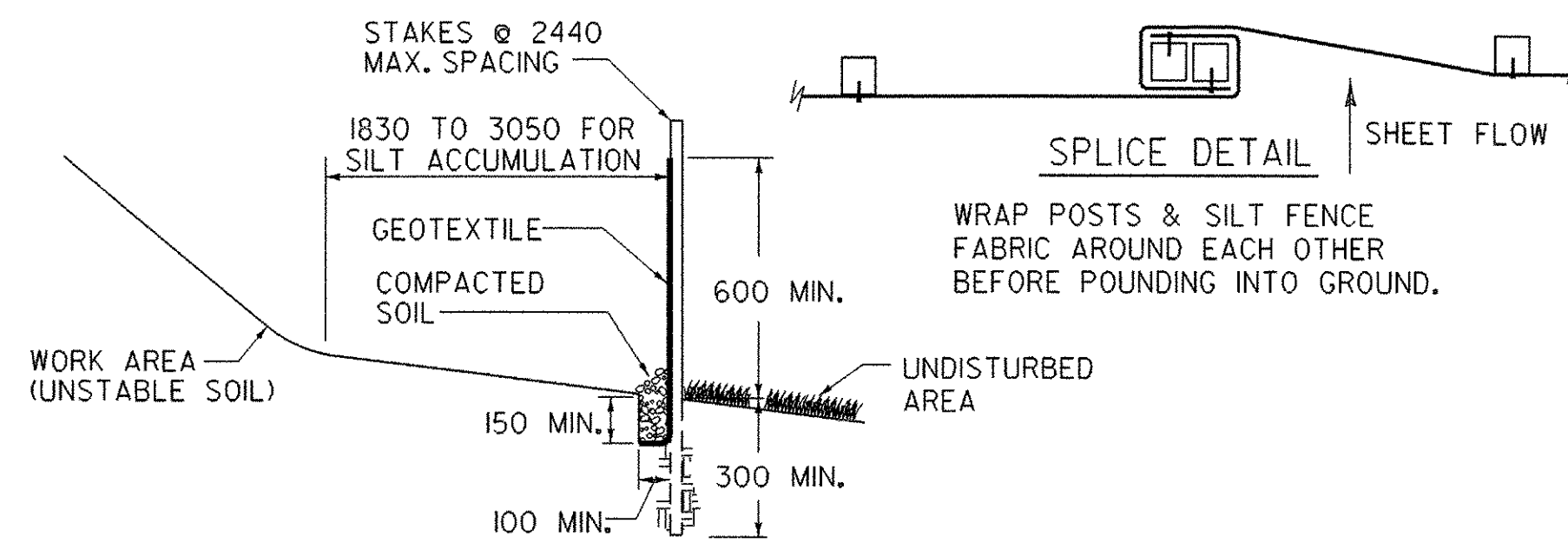
SEED: TO BE APPLIED PER SEEDING FORMULAS OR AS DIRECTED BY THE ENGINEER.

FERTILIZER: FORMULA 10-20-10, TO BE USED WITH SEED, APPLIED AT THE RATE OF 560 kg/ha. (HYDRO SEEDERS MAY USE 19-19-19 FORMULA).

AGRICULTURAL LIMESTONE: TO BE APPLIED AT THE RATE OF 4500 kg/ha, OR AS DIRECTED BY THE ENGINEER.

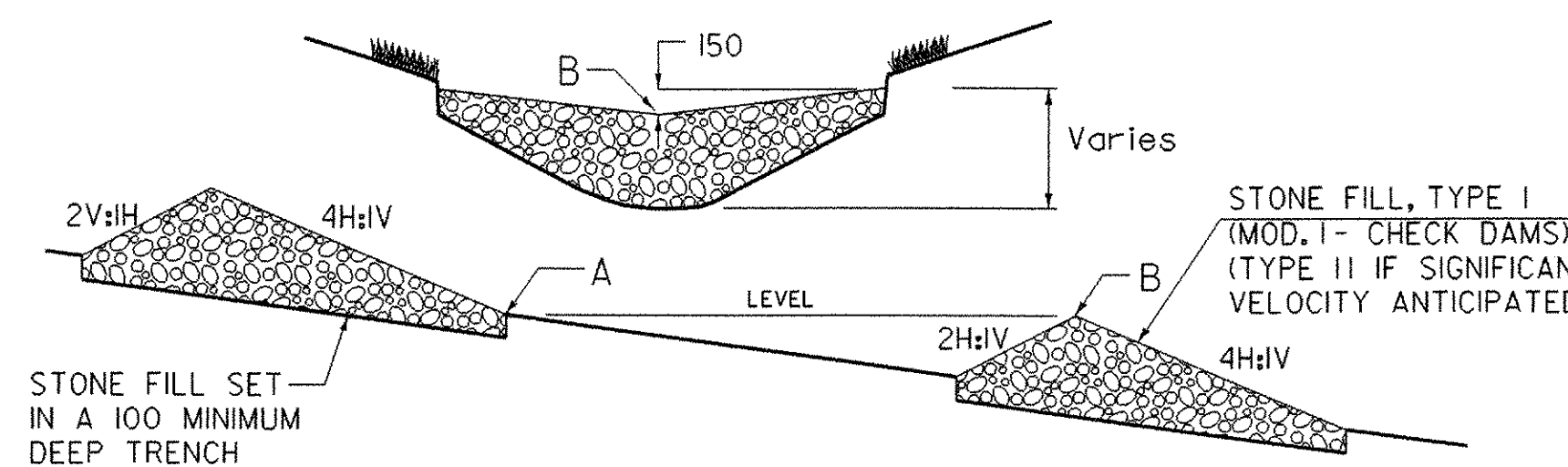
HAY MULCH: TO BE PLACED ON EARTH SLOPES AT THE RATE OF 4500 kg/ha, OR AS DIRECTED BY THE ENGINEER.

TOPSOIL: TO BE USED WITH SEED AS INDICATED ON THE PLANS, OR AS DIRECTED BY THE ENGINEER.



**DETAIL "A"  
SILT FENCE**

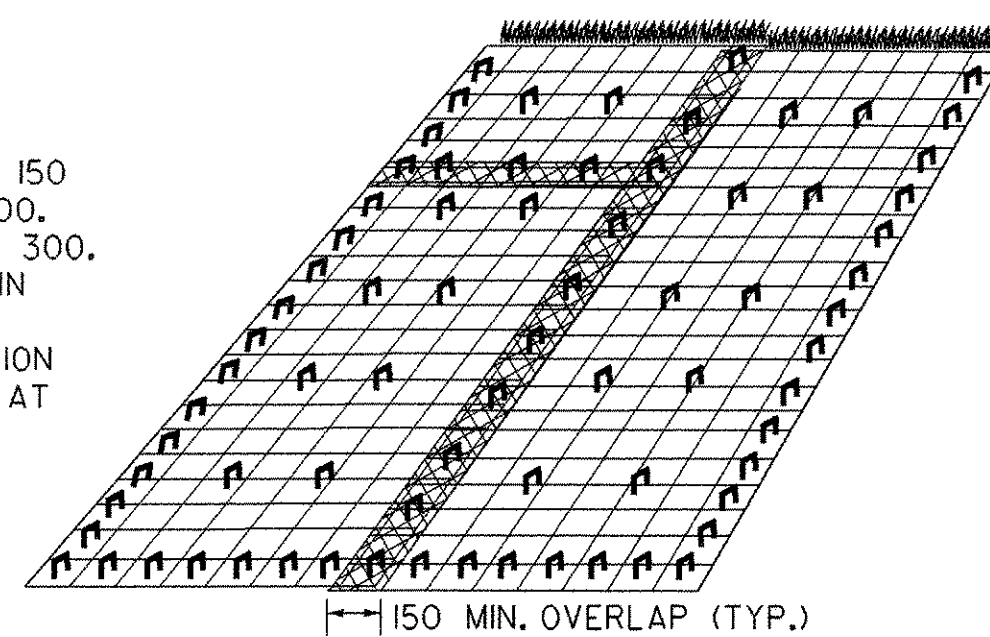
- NOTES:
- DO NOT USE SILT FENCE IN STREAMS, DRAINAGE DITCHES, OR AREAS OF CONCENTRATED FLOW.
  - BACK WITH STAKED-IN-PLACE HAY BALES OR WIRE FENCE IF ADDITIONAL SUPPORT IS NEEDED.
  - MUST BE REMOVED WHEN SOIL IS STABILIZED.



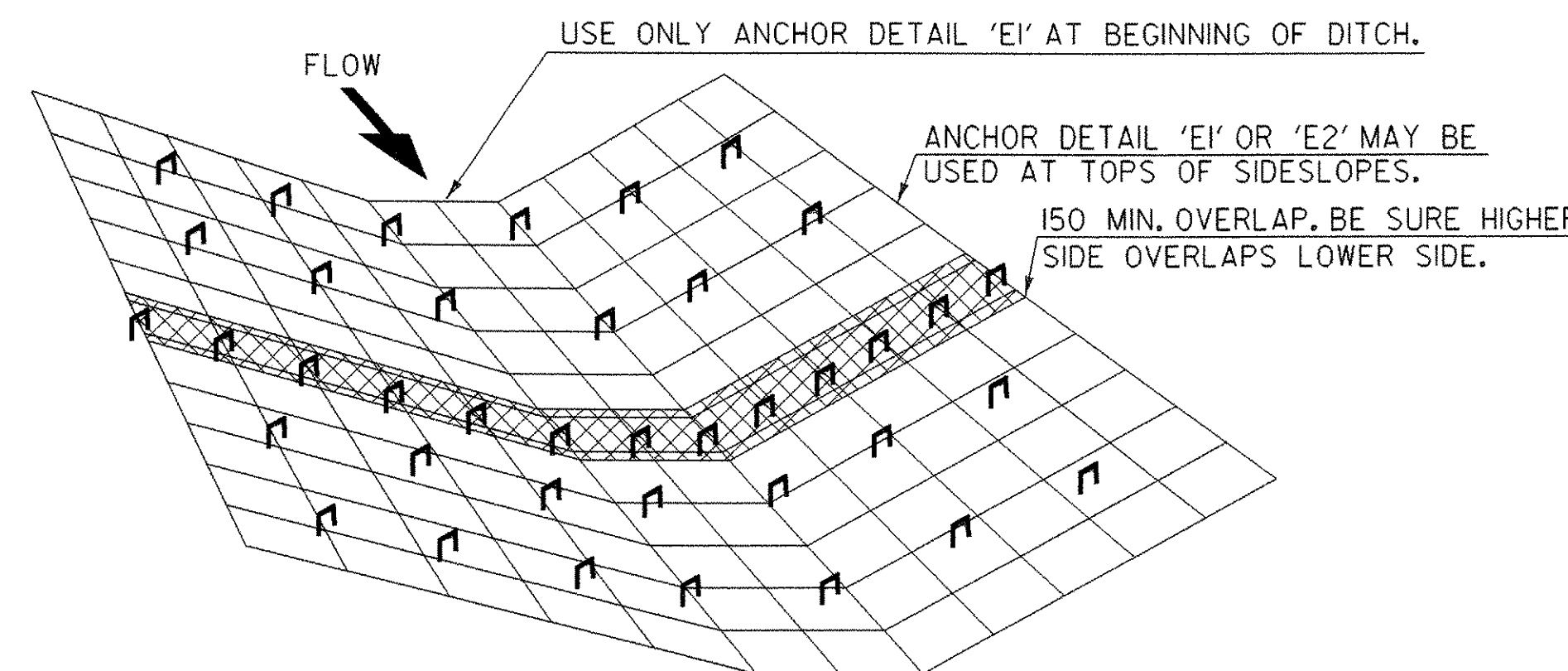
**DETAIL "B"  
TEMPORARY STONE CHECK DAM**

- NOTES:
- CHECK DAMS TO BE USED DURING ESTABLISHMENT OF GRASS LINED DRAINAGE DITCHES
  - LOCATE DOWNSTREAM STRUCTURE SUCH THAT POINT "B" IS APPROXIMATELY LEVEL WITH THE LOWEST GROUND ELEVATION "A" OF THE UPSTREAM STRUCTURE.
  - PAYMENT FOR STONE CHECK DAMS WILL BE PAID FOR AS ITEM 613.10, STONE FILL, TYPE I (MOD. 1 - CHECK DAMS)

- NOTES:
- ALL FABRIC OVERLAPS SHALL BE 150 MINIMUM WITH STAPLES EVERY 500.
  - STAPLE EDGES OF FABRIC EVERY 300.
  - USE 1000 MAX. STAPLE SPACING IN OTHER AREAS.
  - SEE "ANCHOR DETAILS FOR EROSION MATTING" DETAIL FOR ANCHORING AT TOPS OF SLOPES.

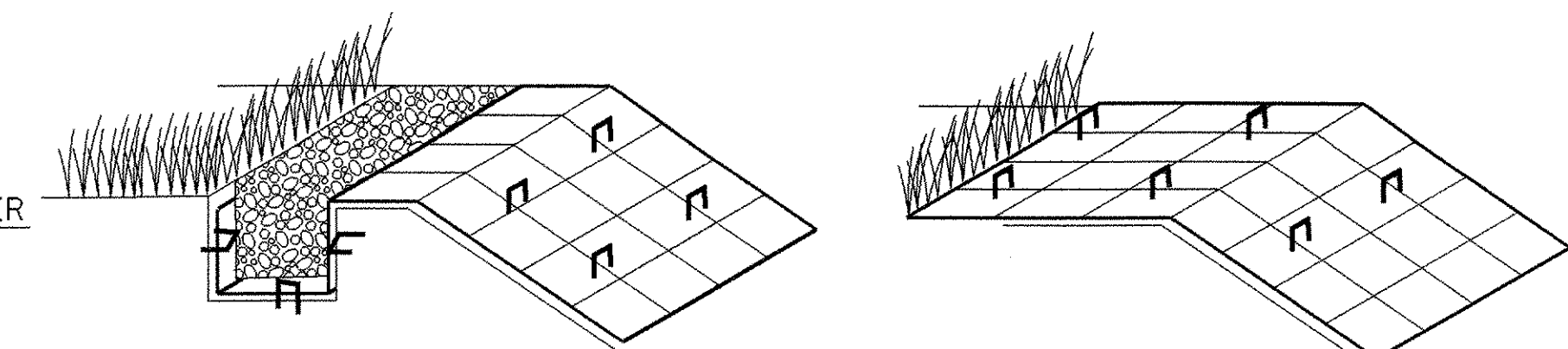


**DETAIL "C"  
EROSION MATTING FOR SLOPES STEEPER THAN 1V:3H**



**DETAIL "D"  
EROSION MATTING FOR DITCHES**

- NOTES:
- TO BE USED WHERE SLOPE OF DITCHLINE RANGES FROM 1% - 2.5%, SLOPES EXCEEDING 2.5% SHALL BE LINED WITH STONE FILL, TYPE I.
  - OVERLAPS SHALL BE 150 MINIMUM IN THE DIRECTION OF FLOW AND STAPLED EVERY 500 MIN. THROUGH BOTH FABRICS.
  - USE 1000 MAX STAPLE SPACING IN OTHER AREAS.



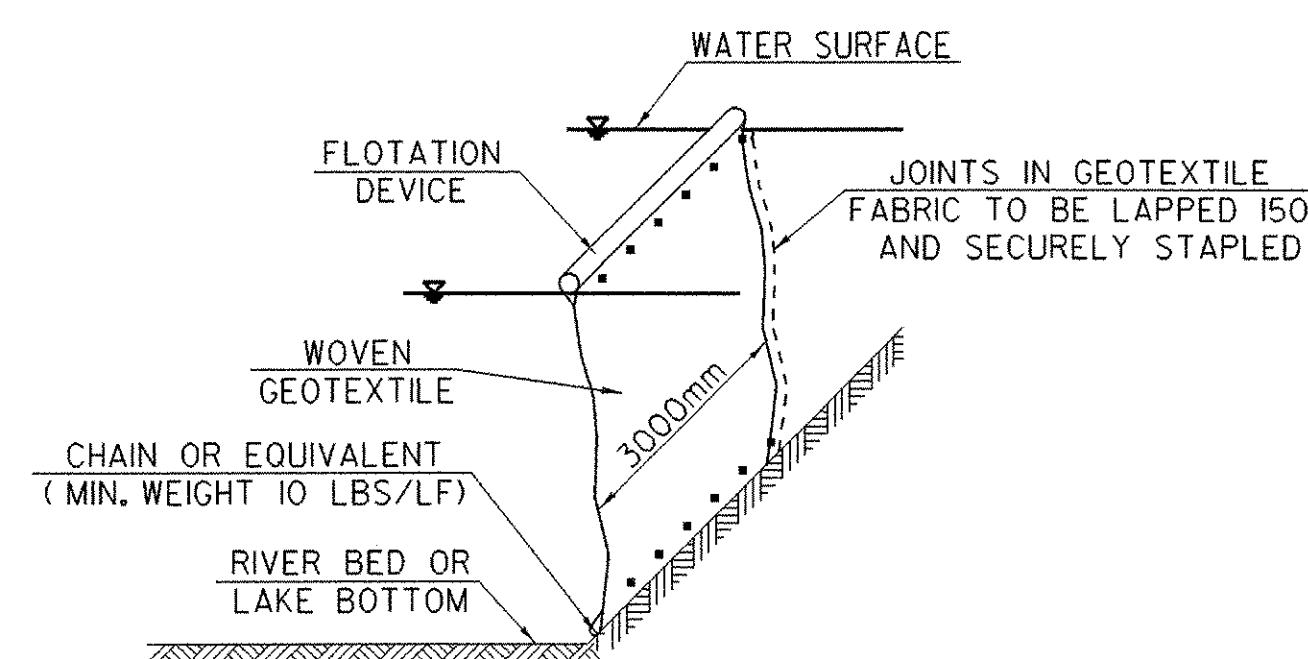
**ANCHOR DETAIL 'E1'**

INSERT & STAPLE FABRIC INTO 150 X 150 TRENCH PRIOR TO BACKFILLING & COMPACTING SOIL. USE 3 STAPLE PATTERN EVERY 500.

**ANCHOR DETAIL 'E2'**

IF THE TOP OF SLOPE IS RELATIVELY FLAT EXTEND MATERIAL APPROXIMATELY 600 AND STAPLE EVERY 500 MINIMUM.

**DETAIL "E"  
ANCHOR DETAILS FOR EROSION MATTING**



**DETAIL "F"  
FILTER CURTAIN**

- NOTES:
- NOT TO BE USED ACROSS THE FLOW OF WATER
  - HEIGHT SHOULD BE SUFFICIENT TO ALLOW FOR VARIATIONS IN THE BOTTOM AND RISING WATER
  - ANCHOR FIRMLY IN PLACE AS NEEDED
  - INSTALL PRIOR TO EARTH DISTURBING ACTIVITIES AND/ OR INSTALLATION OF COFFERDAM WHERE APPLICABLE
  - LEAVE IN PLACE UNTIL UP-SLOPE AREAS ARE STABLE AND COFFERDAM IS REMOVED
  - USE CARE DURING REMOVAL TO PREVENT THE RELEASE OF CAPTURED SEDIMENT AS MUCH AS POSSIBLE

NOTE: DETAILS NOT TO SCALE

SHEET NAME: <b>EROSION CONTROL DETAILS</b>	
PROJECT NAME: <b>WALLINGFORD</b>	HIGHWAY NO.: <b>TH 60</b>
PROJECT NUMBER: <b>BRO 1443(31)</b>	BRIDGE NO.: <b>50</b>
	OVER: <b>OTTER CREEK</b>
FILE NAME: /PW/94j084/sj084ec.dgn	PLOT DATE: 24-OCT-2005
PROJECT MANAGER: R. WHITCOMB	DRAWN BY: STRI
DESIGNED BY: K. UPMAL	IPARM NAME: sj084ec5.1
BRIDGE SHEET NUMBER:	SHEET 19 OF 38