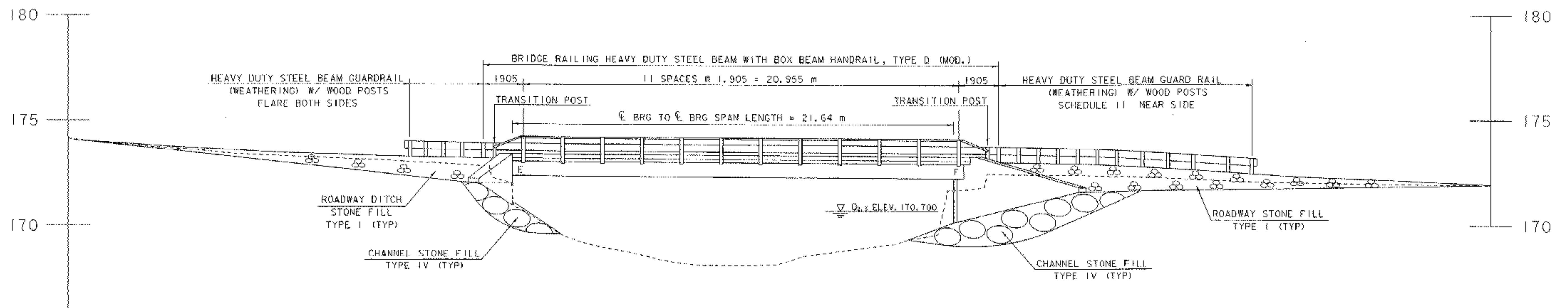


PLAN VIEW
SCALE 1" = 100'



ELEVATION VIEW AT UPSTREAM FASCIA
SCALE 1" = 100'

SHEET NAME: PLAN AND ELEVATION		
PROJECT NAME: WALLINGFORD	HIGHWAY NO.: TH 60	
PROJECT NUMBER: BRO 1443(31)	BRIDGE NO.: 50	
	OVER: OTTER CREEK	
FILE NAME: /PW/94J084/sj084pe.dgn	PLOT DATE: 24-OCT-2005	
PROJECT MANAGER: R. WHITCOMB	DRAWN BY: P.T. LONSDALE	
DESIGNED BY: K. UPMAL	IPARM NAME: sj084pe.l	
BRIDGE SHEET NUMBER:	SHEET 14 OF 38	