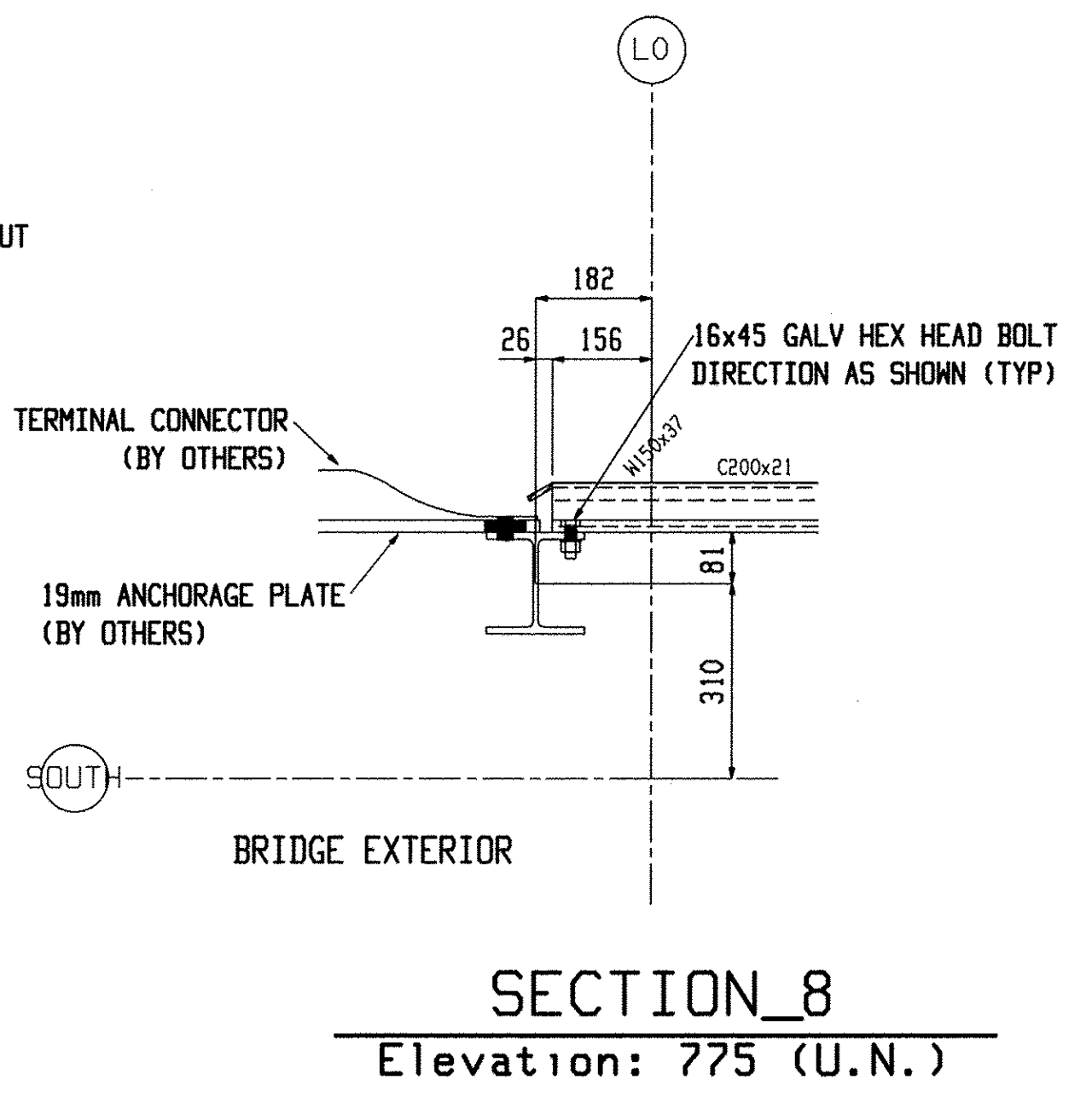
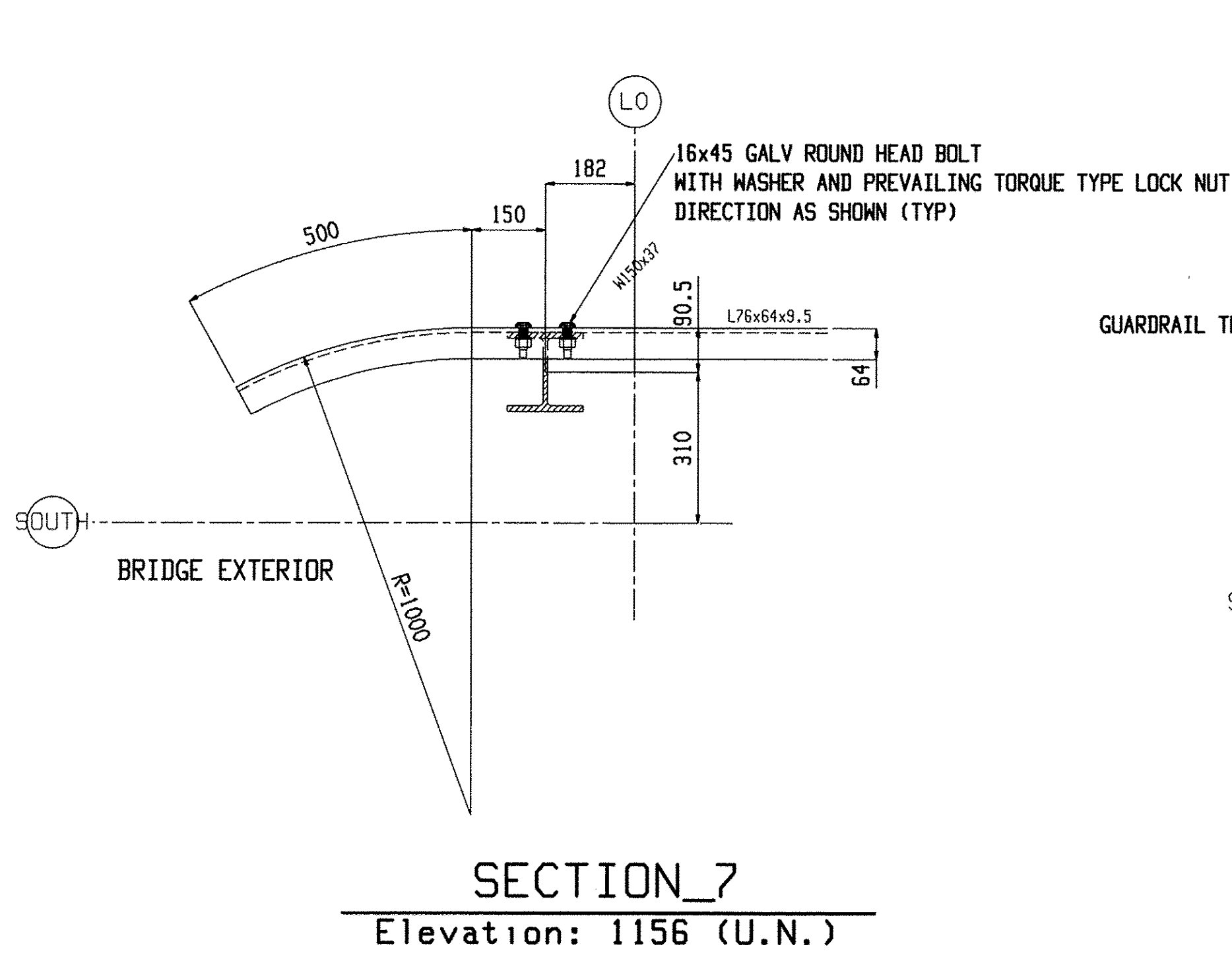


(50)

BBO OPT

DUMMERSTON



RECEIVED  
 NOV 17 2009  
 APPROVED BY: [Signature]

<b>Renaud Bros. Inc.</b> 283 Fort Bridgeman Rd. #2 Vernon, VT. 05354 Phone 1-802 257-7383	Holes:	21mm UNF
	BOLTS:	19mm DIA. M164M-I GALV UNF
	Steel GR:	M270M-GR345 UNF
	Paint:	PER SPECS (GREEN) UNF
Rev. No:	Date:	Surface Prep: PER SPECS
Project:	Date: 9-9-09	Job No. BHO 1442 (28)
DUMMERSTON BRIDGE DUMMERSTON, VT	DWN. BY: EG	Checked: MRS Sheet No. E6

Nov 08 2009 10:55:23 AM