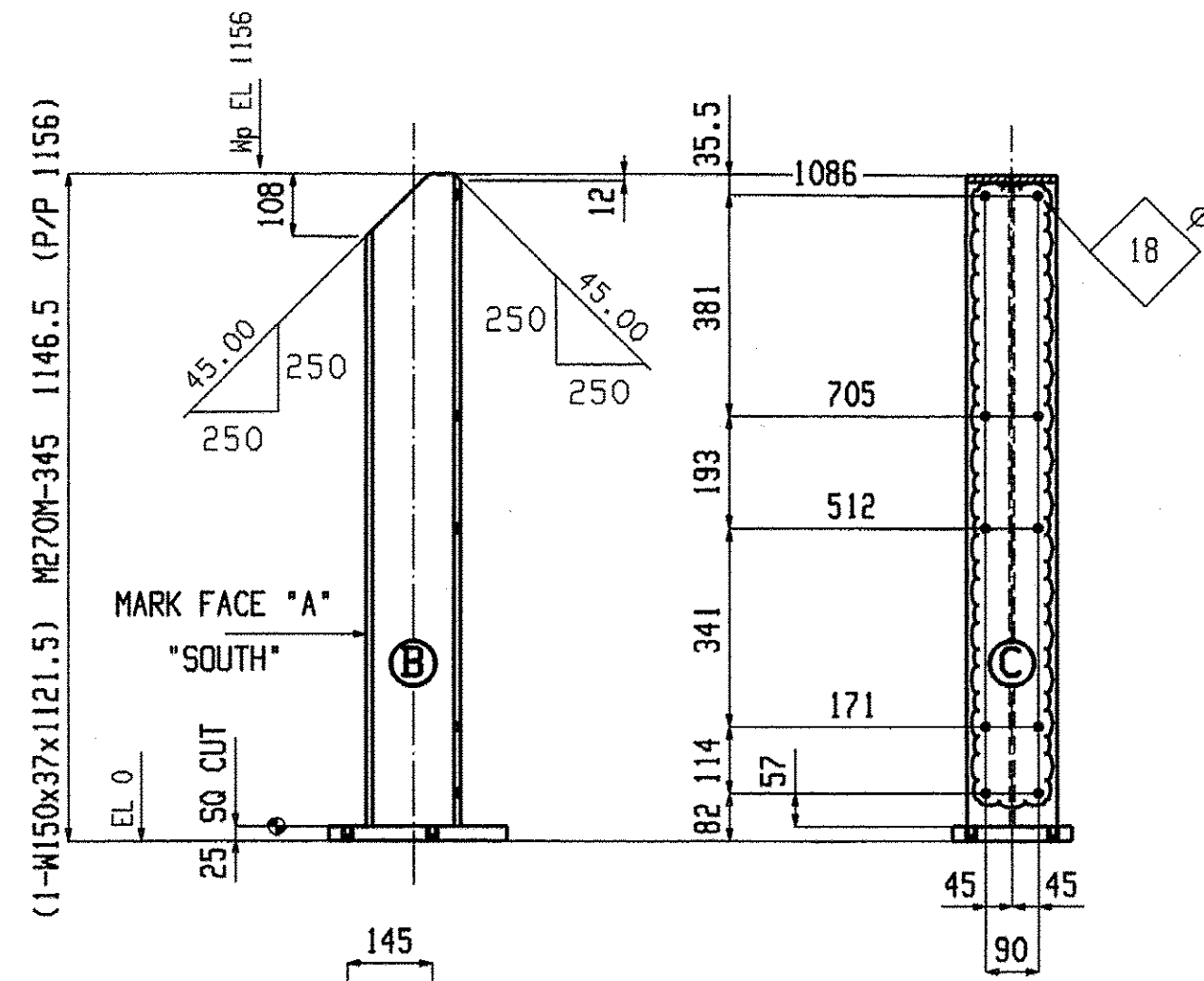


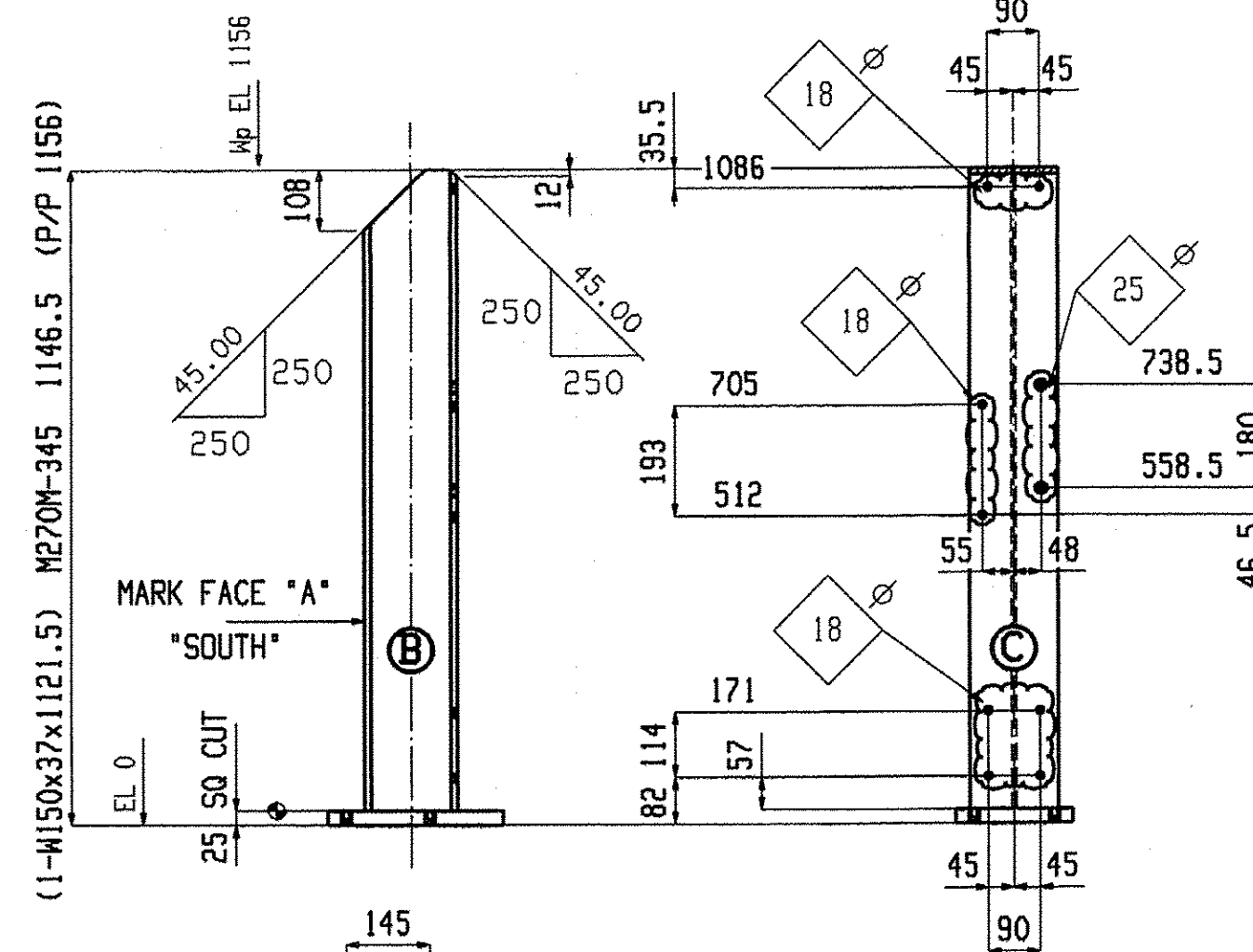
ONE BEAM R32

SHOP NOTE:
TOE DIRECTION FAR SIDE



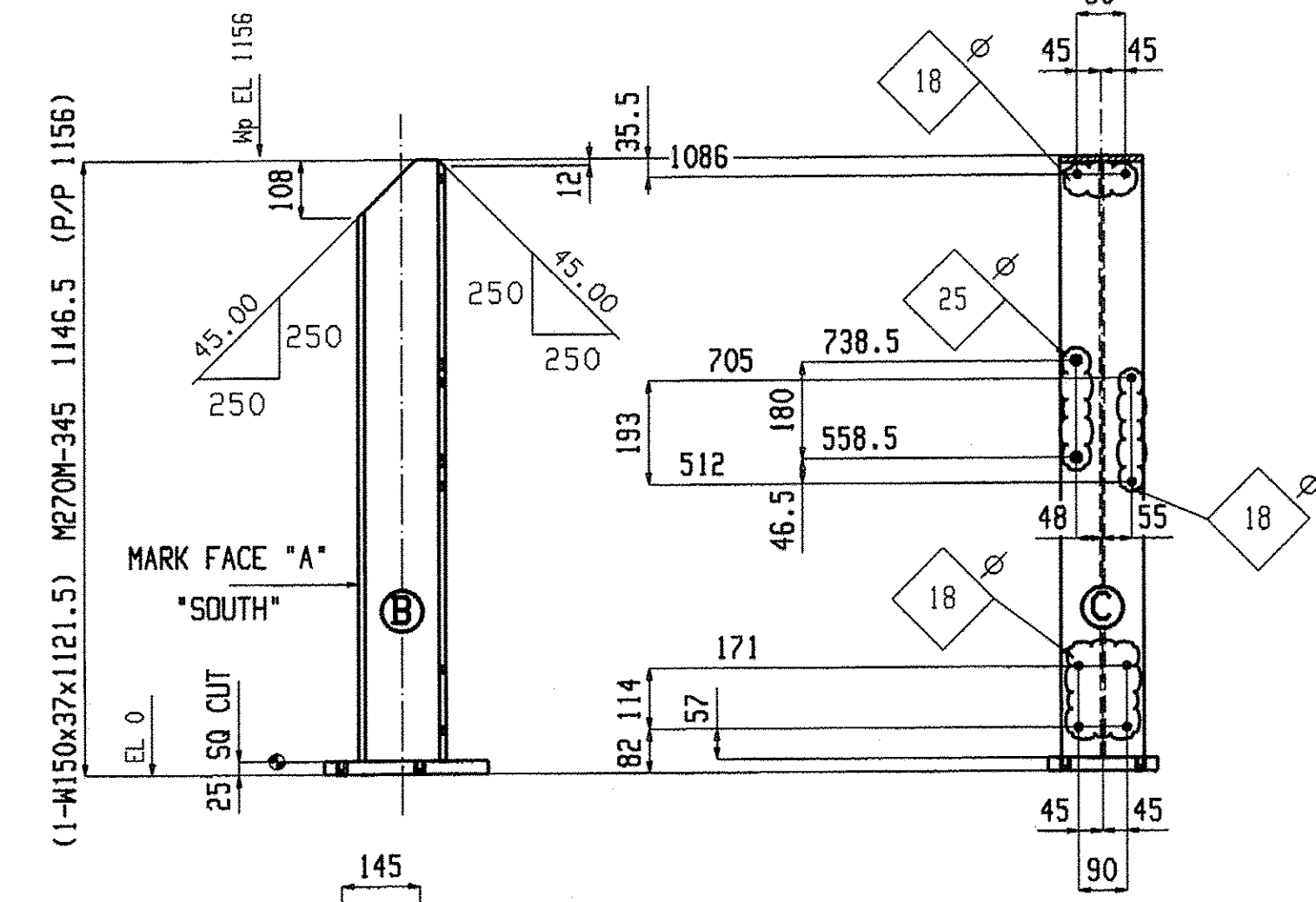
24 COLUMNS C1

W 162x8
F 154.5x11.5
K 20.5x13



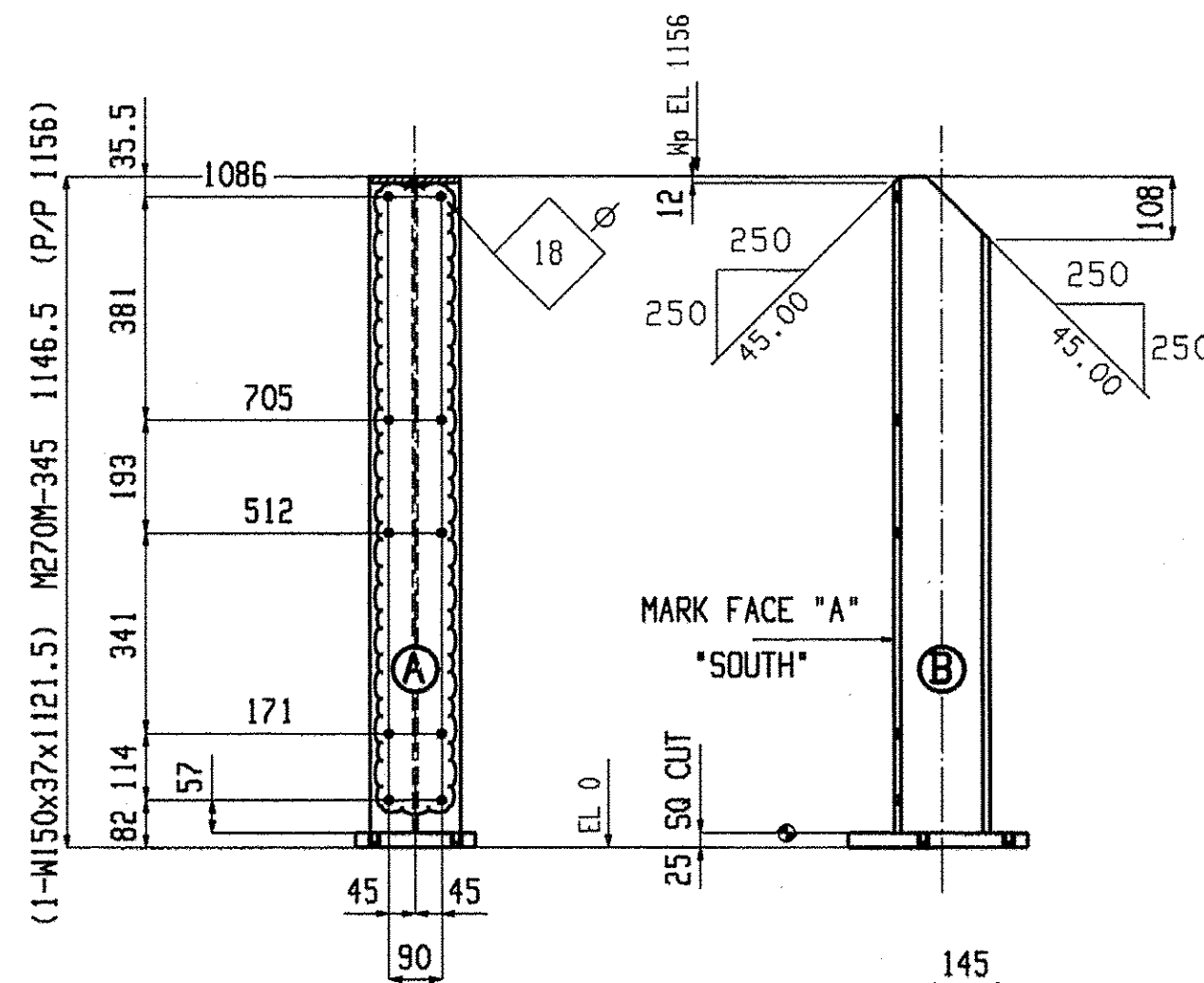
ONE COLUMN C3

W 162x8
F 154.5x11.5
K 20.5x13



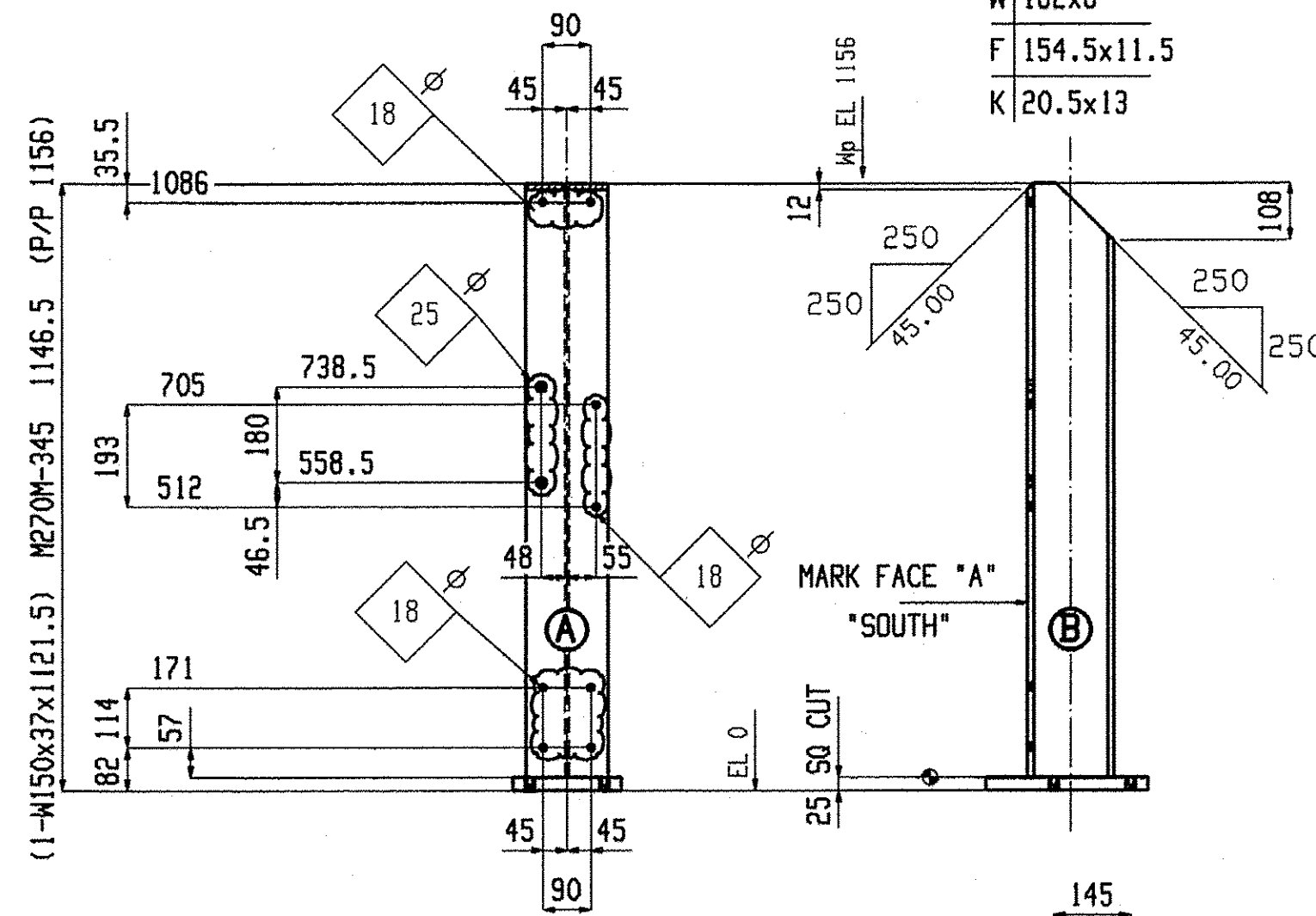
ONE COLUMN C2

W 162x8
F 154.5x11.5
K 20.5x13



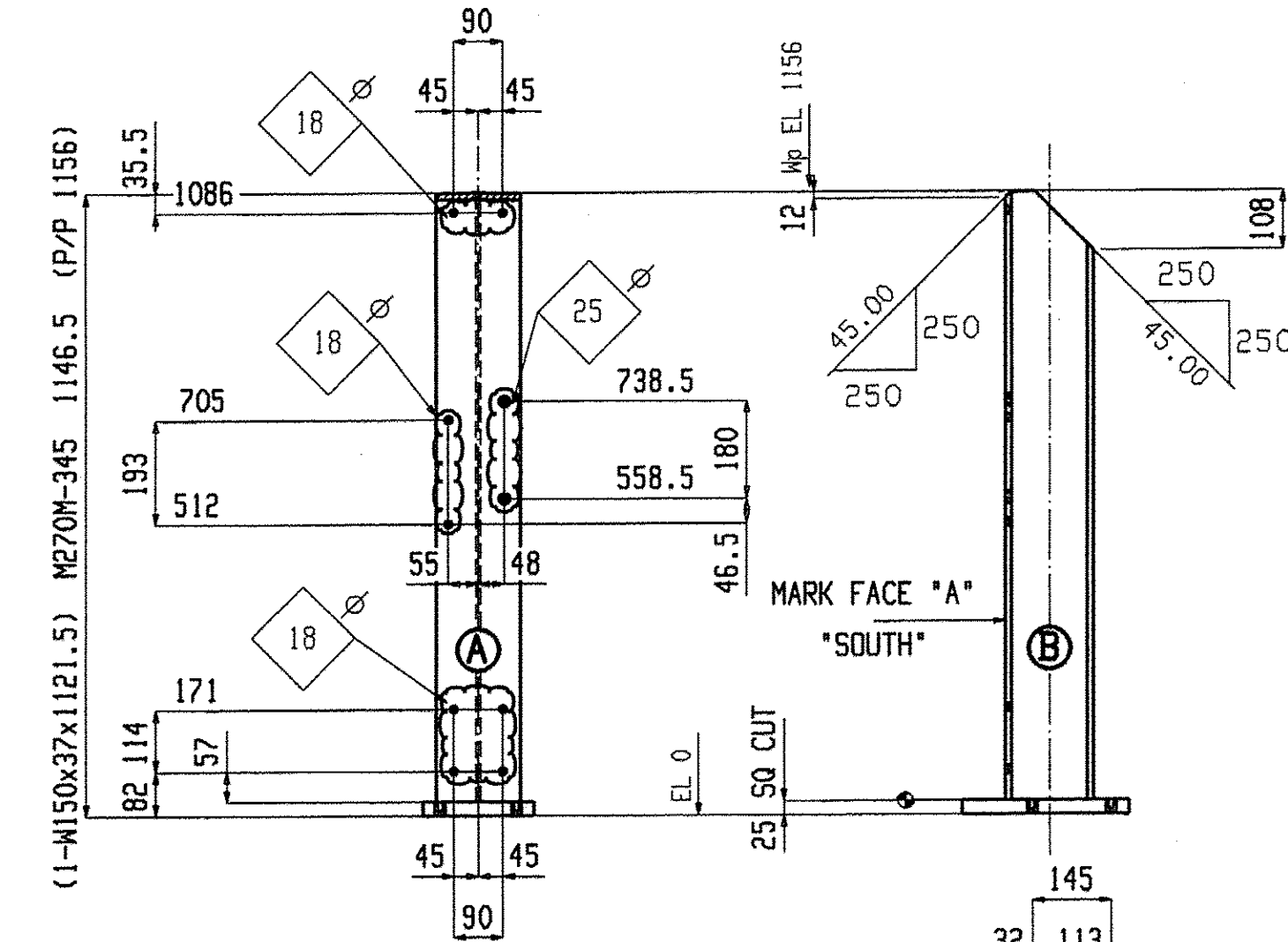
24 COLUMNS C4

W 162x8
F 154.5x11.5
K 20.5x13



ONE COLUMN C5

W 162x8
F 154.5x11.5
K 20.5x13



ONE COLUMN C6

W 162x8
F 154.5x11.5
K 20.5x13

ALL EXPOSED CUT OR SHEARED EDGES SHALL BE FREE OF BURRS AND GROUND TO A 2mm RADIUS

ALL EXPOSED CUT OR SHEARED EDGES SHALL BE FREE OF BURRS AND GROUND TO A 2mm RADIUS

ALL EXPOSED CUT OR SHEARED EDGES SHALL BE FREE OF BURRS AND GROUND TO A 2mm RADIUS

ALL EXPOSED CUT OR SHEARED EDGES SHALL BE FREE OF BURRS AND GROUND TO A 2mm RADIUS

ALL EXPOSED CUT OR SHEARED EDGES SHALL BE FREE OF BURRS AND GROUND TO A 2mm RADIUS

BILL OF MATERIAL									BILL OF MATERIAL									BILL OF MATERIAL									
Qty	Piece			Seq	Seq	Adv	Steel	Remarks	Qty	Piece			Seq	Seq	Adv	Steel	Remarks	Qty	Piece			Seq	Seq	Adv	Steel	Remarks	
Tot.	Mark	Description	Length	NO.	Qty	ABM #	Grade		Tot.	Mark	Description	Length	NO.	Qty	ABM #	Grade		Tot.	Mark	Description	Length	NO.	Qty	ABM #	Grade		
ONE	R32	BEAM		2	1				1	p33	PL25x204	305						ONE	C5	COLUMN		2	1				
1	R32	L76x64x9.5	10328				M270M-250		1	C3	W150x37	1121.5						1	C5	W150x37	1121.5					M270M-345	S1E
24	C1	COLUMN		2	24				1	p33	PL25x204	305						1	p33	PL25x204	305					M270M-345	S1E
24	C1	W150x37	1121.5				M270M-345	S1E	24	C4	COLUMN		2	24				1	C6	W150x37	1121.5					M270M-345	S1E
24	p33	PL25x204	305				M270M-345		24	C4	W150x37	1121.5						1	p33	PL25x204	305					M270M-345	S1E
ONE	C2	COLUMN		2	1				1	C6	W150x37	1121.5						1	p33	PL25x204	305					M270M-345	S1E
1	C2	W150x37	1121.5				M270M-345	S1E	24	p33	PL25x204	305						1	p33	PL25x204	305					M270M-345	S1E

Total weight : 2905

Fabrication is not to be done by Renaud Bros. Have fabricator re-submit with name of fabricator on the drawings.

Renaud Bros. Inc.
283 Fort Bridgeman Rd. #2
Vernon, VT. 05354
Phone 1-802 257-7383

Project: **DUMMERSTON BRIDGE**
DUMMERSTON, VT

Holes: 21mm UNF
BOLTS: 19mm DIA. M164M-I GALV UNF
Steel GR: M270M-GR345 UNF
Paint: PER SPECS (GREEN) UNF
Surface Prep: PER SPECS

Rev. No: _____ Date: 9-9-09
Job No. **BAO 1442(28)**
DWN. BY: EG Checked: MRS Sheet No. **25**