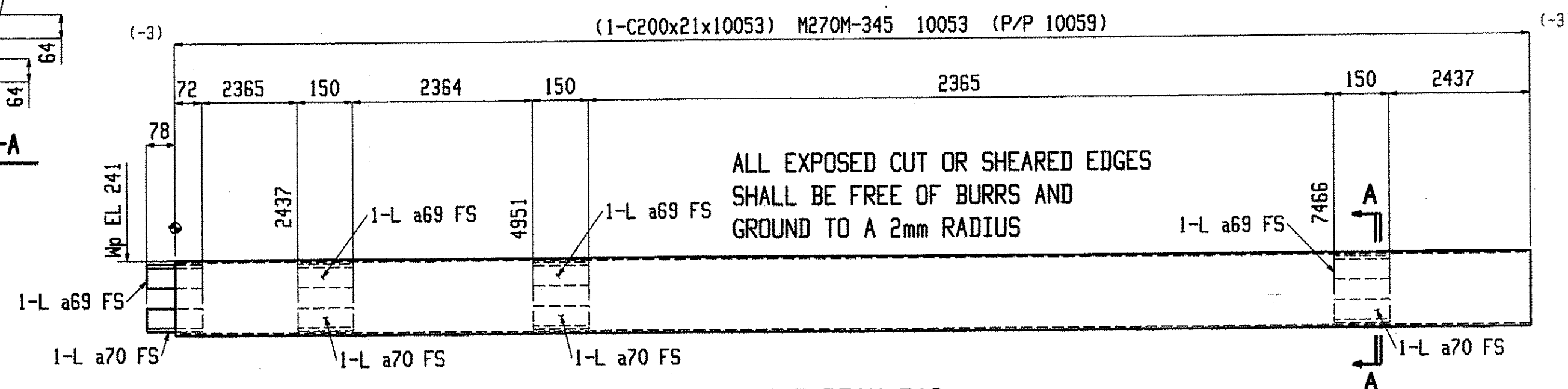
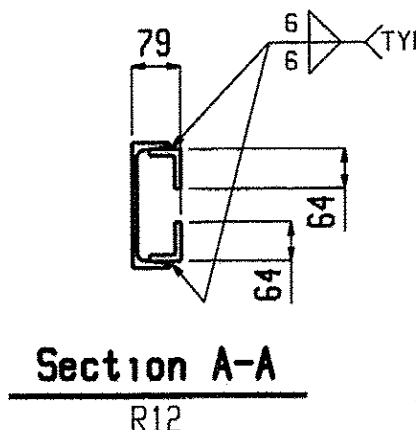


ONE BEAM R12

W 203x7.5
F 59.5x10
K 24x18

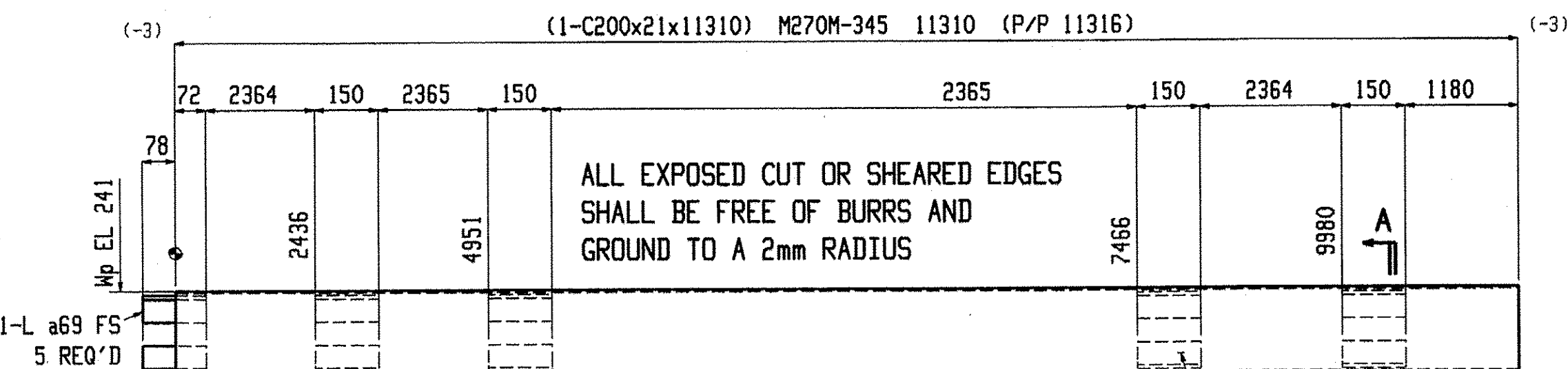
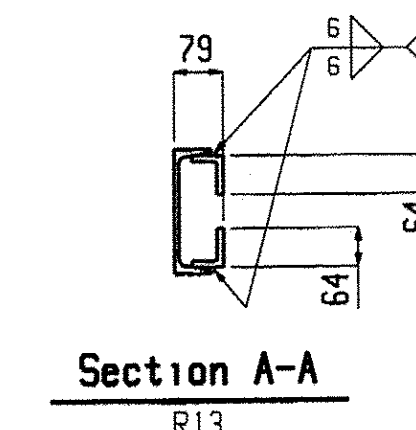
SHOP NOTE:
TOE DIRECTION FAR SIDE



ONE BEAM R13

W 203x7.5
F 59.5x10
K 24x18

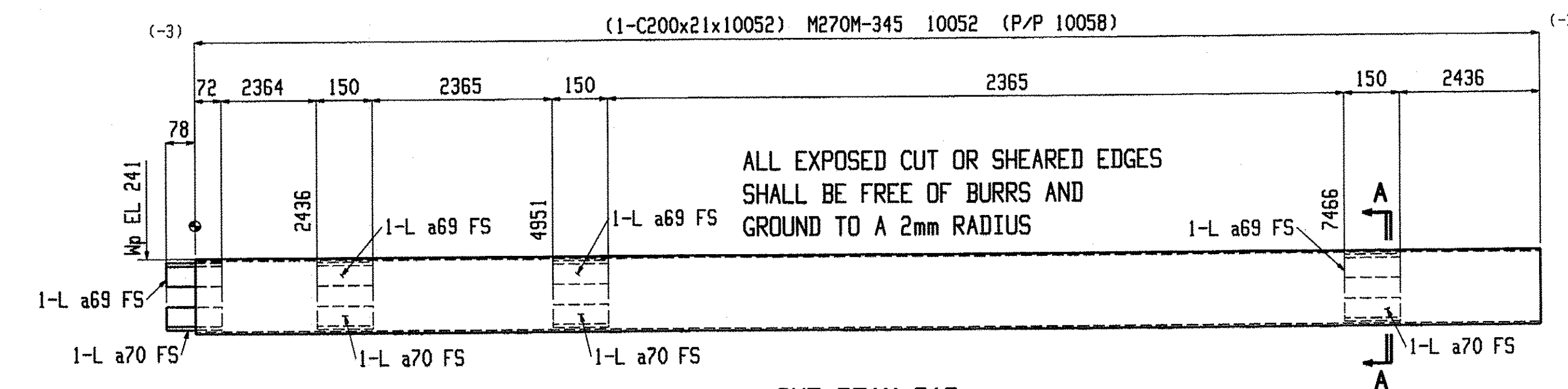
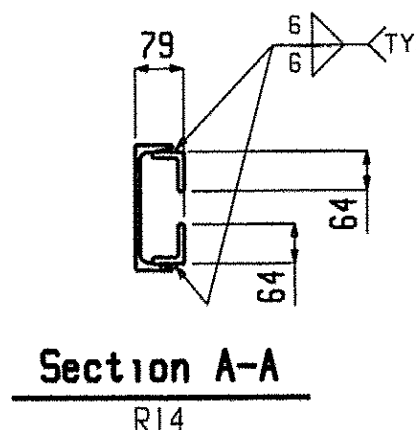
SHOP NOTE:
TOE DIRECTION FAR SIDE



ONE BEAM R14

W 203x7.5
F 59.5x10
K 24x18

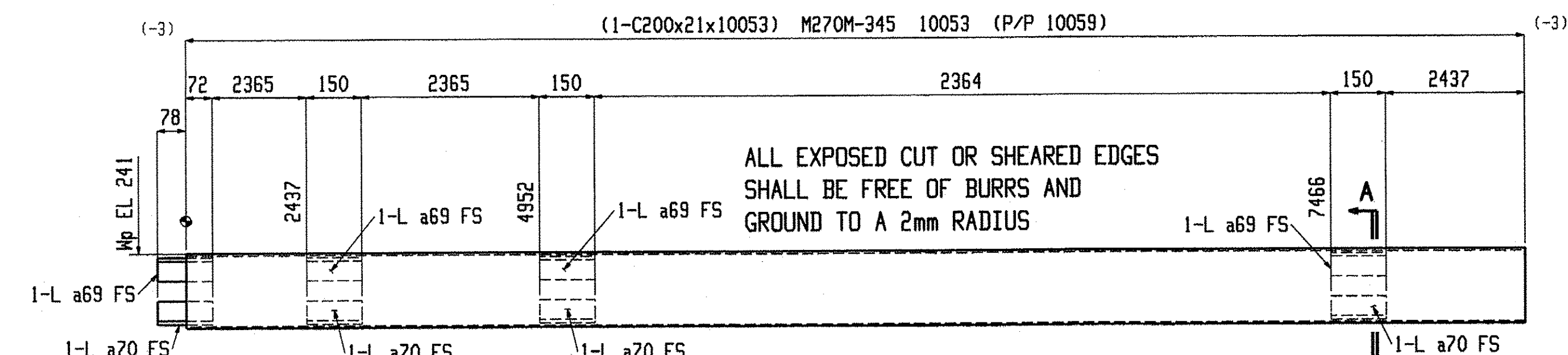
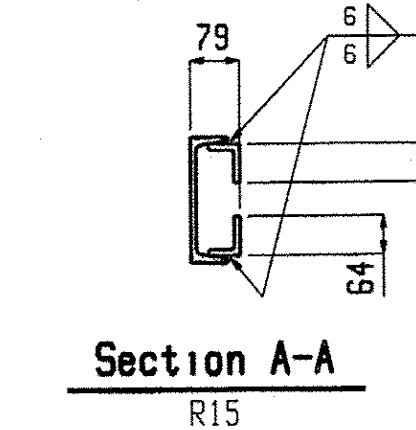
SHOP NOTE:
TOE DIRECTION FAR SIDE



ONE BEAM R15

W 203x7.5
F 59.5x10
K 24x18

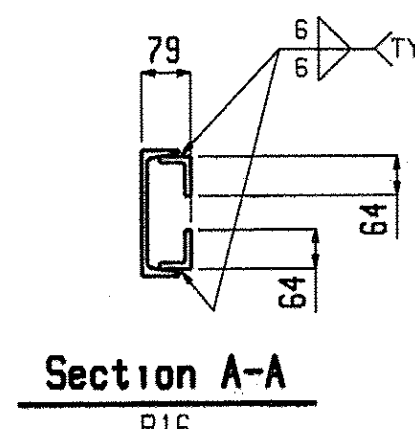
SHOP NOTE:
TOE DIRECTION FAR SIDE



ONE BEAM R16

W 203x7.5
F 59.5x10
K 24x18

SHOP NOTE:
TOE DIRECTION FAR SIDE



Fabrication is not to be done by Renaud Bros. Have fabricator resubmit with name of fabricator on the drawings.

BILL OF MATERIAL									
Qty	Piece	Description	Length	Seq	Seq	Adv	Steel	Remarks	
Tot.	Mark			NO.	Qty	ABM #	Grade		
ONE	R12	BEAM		2	1				
1	R12	C200x21	9780				M270M-345		
4	a69	L64x51x9.5	150				M270M-345		
4	a70	L64x51x9.5	150				M270M-345		
ONE	R13	BEAM		2	1				
1	R13	C200x21	10053				M270M-345		
4	a69	L64x51x9.5	150				M270M-345		
4	a70	L64x51x9.5	150				M270M-345		

BILL OF MATERIAL									
Qty	Piece	Description	Length	Seq	Seq	Adv	Steel	Remarks	
Tot.	Mark			NO.	Qty	ABM #	Grade		
ONE	R14	BEAM		2	1				
1	R14	C200x21	11310				M270M-345		
5	a69	L64x51x9.5	150				M270M-345		
5	a70	L64x51x9.5	150				M270M-345		
ONE	R15	BEAM		2	1				
1	R15	C200x21	10052				M270M-345		
4	a69	L64x51x9.5	150				M270M-345		

BILL OF MATERIAL									
Qty	Piece	Description	Length	Seq	Seq	Adv	Steel	Remarks	
Tot.	Mark			NO.	Qty	ABM #	Grade		
ONE	R16	BEAM		2	1				
1	R16	C200x21	10053				M270M-345		
4	a69	L64x51x9.5	150				M270M-345		
4	a70	L64x51x9.5	150				M270M-345		

Total weight : 1098

Renaud Bros. Inc.
283 Fort Bridgeman Rd. #2
Vernon, VT. 05354
Phone 1-802 257-7383

Project: **DUMMERSTON BRIDGE**
DUMMERSTON, VT

Date: 9-9-09
Job No. BHO 1442 (28)
Checked: MRS
Sheet No. 22

Holes: 21mm UNO
BOLTS: 19mm DIA. M164M-I GALV UNO
Steel GR: M270M-GR345 UNO
Paint: PER SPECS (GREEN) UNO
Surface Prep: PER SPECS

Nov 06 2008 10:55:46 AM