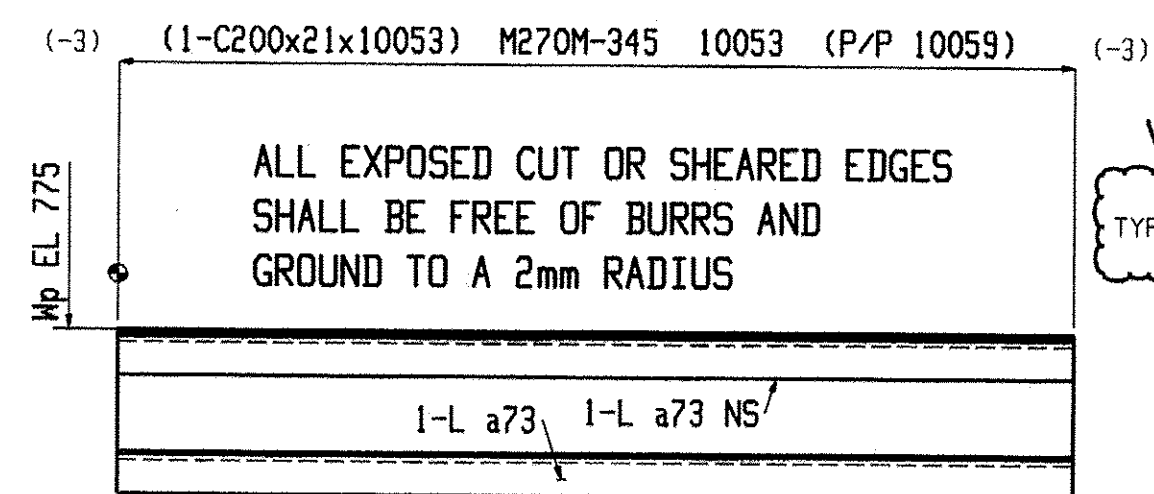


ONE BEAM R6

W 203x7.5
F 59.5x10
K 24x18

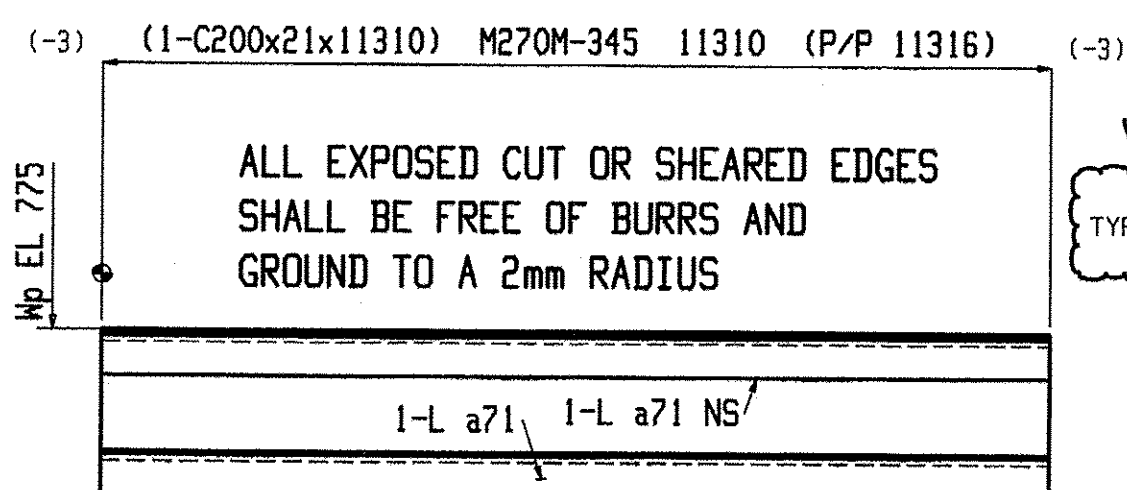
SHOP NOTE:
TOE DIRECTION NEAR SIDE



2 BEAMS R8

W 203x7.5
F 59.5x10
K 24x18

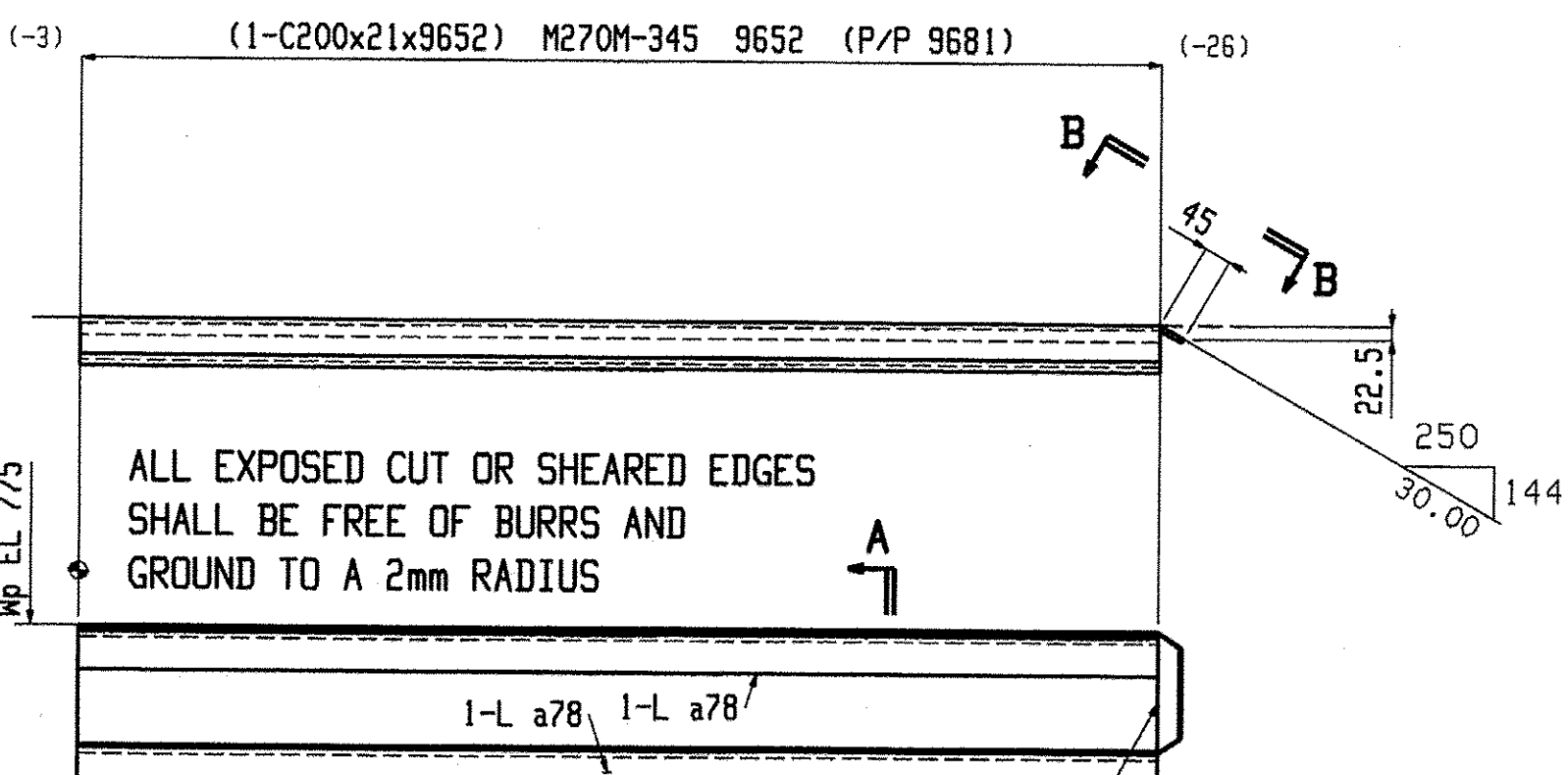
SHOP NOTE:
TOE DIRECTION NEAR SIDE



ONE BEAM R9

W 203x7.5
F 59.5x10
K 24x18

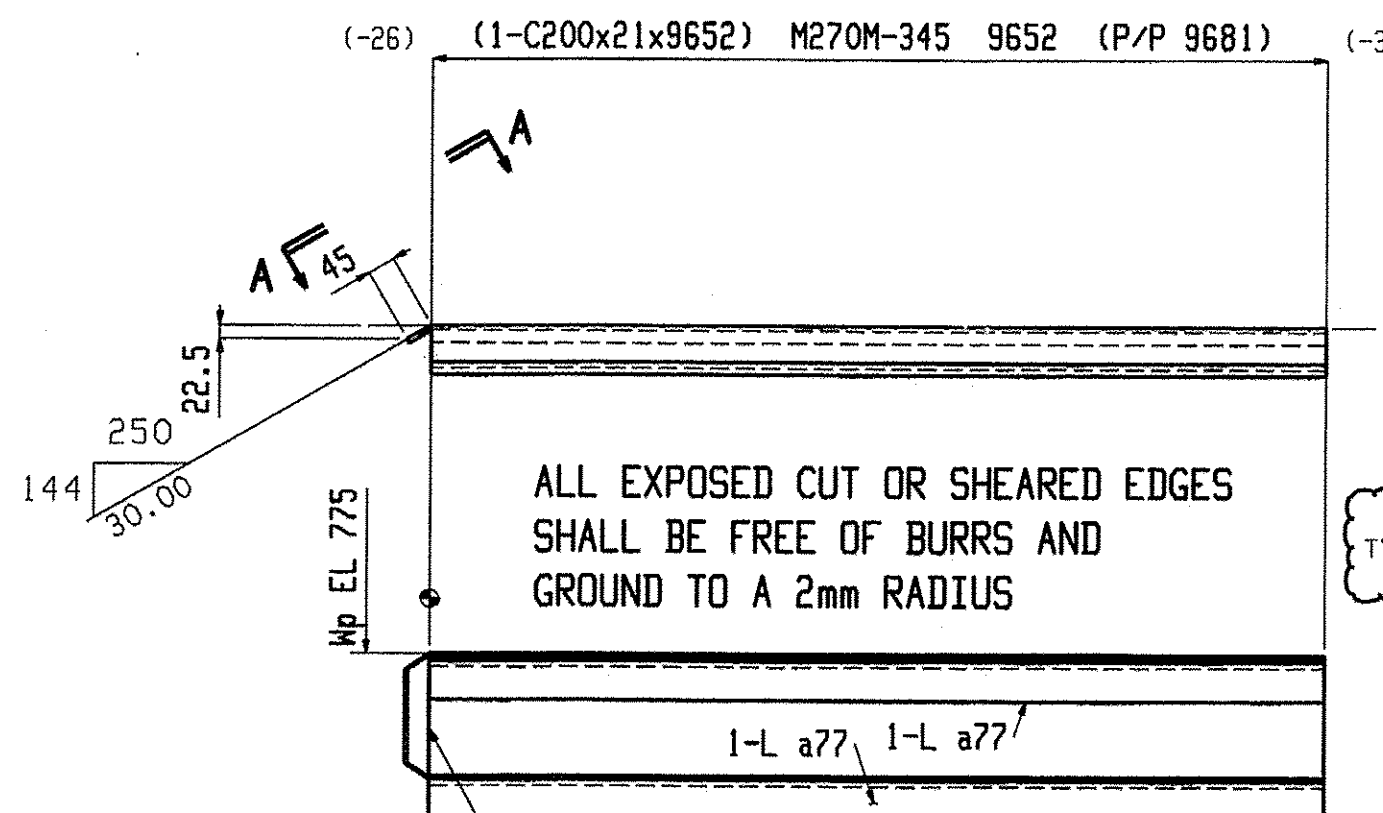
SHOP NOTE:
TOE DIRECTION NEAR SIDE



ONE BEAM R11

W 203x7.5
F 59.5x10
K 24x18

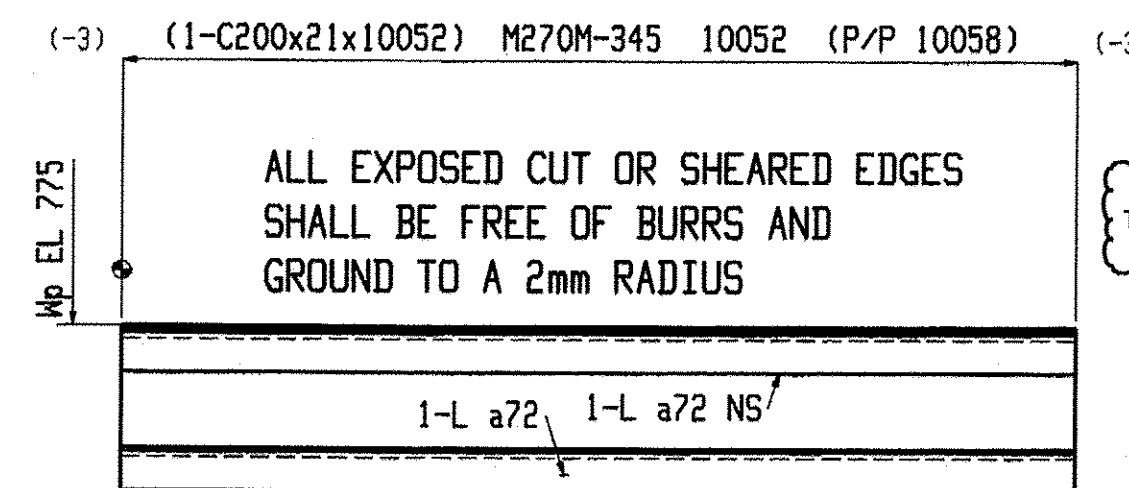
SHOP NOTE:
TOE DIRECTION NEAR SIDE



ONE BEAM R7

W 203x7.5
F 59.5x10
K 24x18

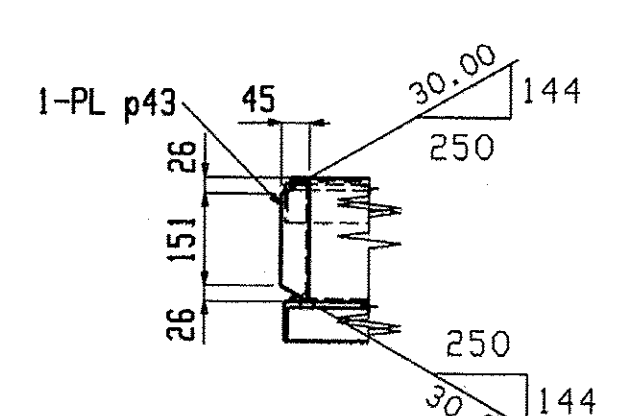
SHOP NOTE:
TOE DIRECTION NEAR SIDE



ONE BEAM R10

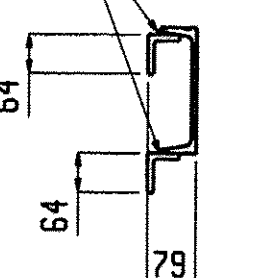
W 203x7.5
F 59.5x10
K 24x18

SHOP NOTE:
TOE DIRECTION NEAR SIDE

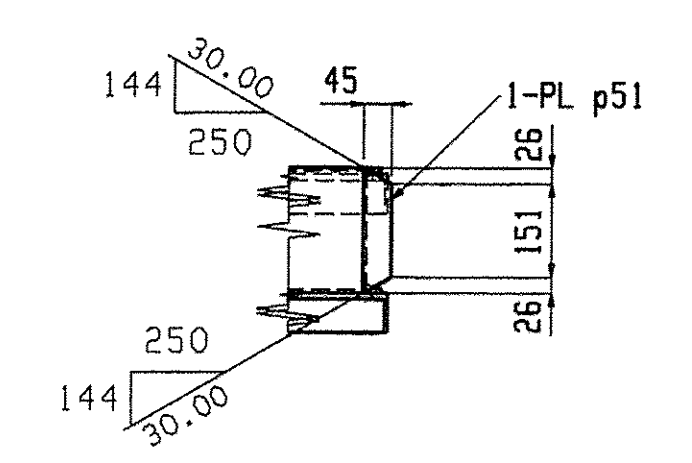


Section B-B
R11

VERIFY!
TYP 6/6 758300
6/6 758300



Section A-A
R11



Section A-A
R7

VERIFY!
TYP 6/6 758300
6/6 758300

VERIFY!
TYP 6/6 758300
6/6 758300

VERIFY!
TYP 6/6 758300
6/6 758300

we let type

Fabrication is not to be done by Renaud Bros. Have fabricator resubmit with name of fabricator on drawings

mem. 11/2/2010
DATE 11/2/2010

Nov 08 2009 10:55:43 AM

BILL OF MATERIAL										BILL OF MATERIAL										BILL OF MATERIAL									
Qty	Piece			Seq	Seq	Adv	Steel		Remarks	Qty	Piece			Seq	Seq	Adv	Steel		Remarks	Qty	Piece			Seq	Seq	Adv	Steel		Remarks
Tot.	Mark	Description	Length	NO.	Qty	ABM #	Grade			Tot.	Mark	Description	Length	NO.	Qty	ABM #	Grade			Tot.	Mark	Description	Length	NO.	Qty	ABM #	Grade		
ONE R6	BEAM			2	1					ONE R7	BEAM			2	1					ONE R10	BEAM			2	1				
1	R6	C200x21	9780				M270M-345			1	R7	C200x21	9652				M270M-345			1	R10	C200x21	10052				M270M-345		
4	a69	L64x51x9.5	150				M270M-345			2	a77	L64x51x9.5	9652				M270M-345			2	a72	L64x51x9.5	10052				M270M-345		
4	a70	L64x51x9.5	150				M270M-345			2	a71	L64x51x9.5	11310				M270M-345			1	p43	PL8x45	203				M270M-345		
ONE R8	BEAM			2	1					ONE R9	BEAM			2	1					ONE R11	BEAM			2	1				
1	R8	C200x21	10053				M270M-345			1	R9	C200x21	11310				M270M-345			1	R11	C200x21	9652				M270M-345		
2	a73	L64x51x9.5	10053				M270M-345			2	a71	L64x51x9.5	11310				M270M-345			2	a78	L64x51x9.5	9652				M270M-345		
2	a73	L64x51x9.5	10053				M270M-345			1	p43	PL8x45	203				M270M-345												

Total weight : 2407

Renaud Bros. Inc.
283 Fort Bridgeman Rd. #2
Vernon, VT, 05354
Phone 1-802 257-7383

Project: **DUMMERSTON BRIDGE**
DUMMERSTON, VT

Rev. No: _____ Date: 9-9-09 Job No. BHO1442(28)
DWN. BY: EG Checked: MRS Sheet No. 21

Holes: 21mm UNF
BOLTS: 19mm DIA. M164M-I GALV UNF
Steel GR: M270M-GR345 UNF
Paint: PER SPECS (GREEN) UNF
Surface Prep: PER SPECS