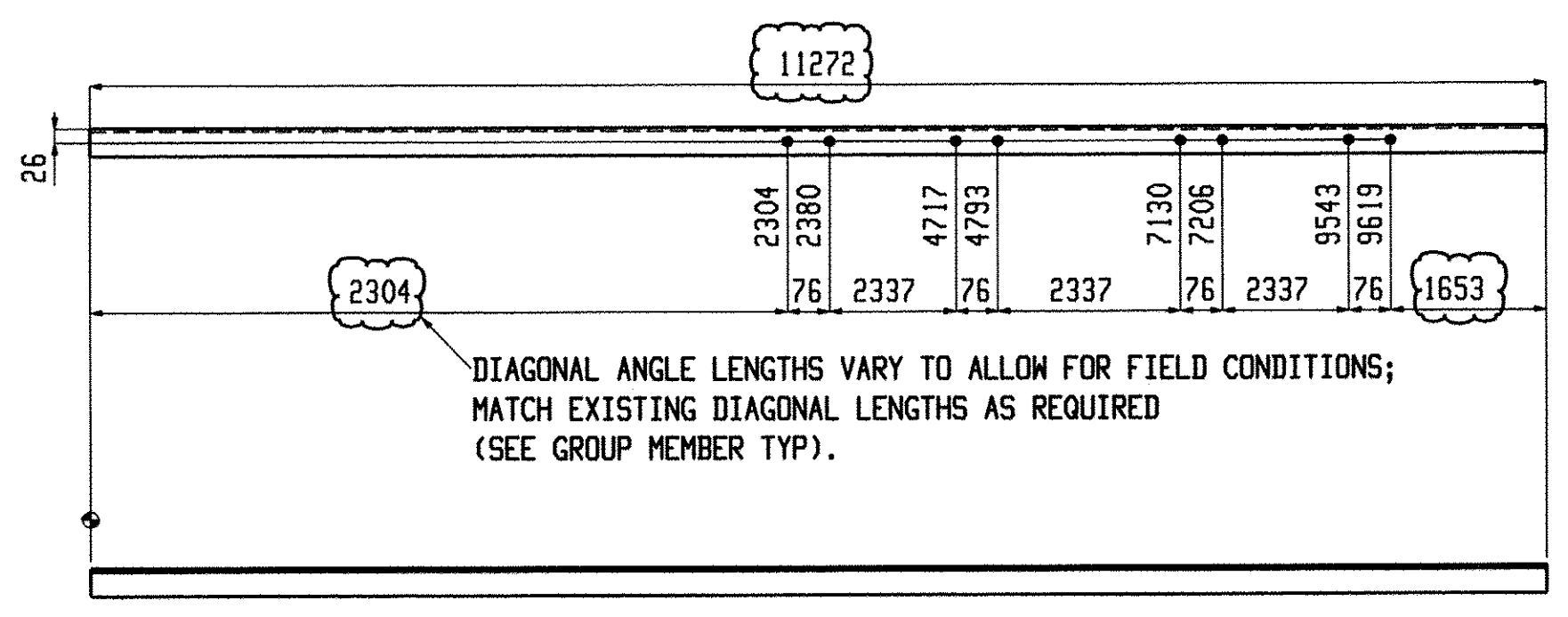
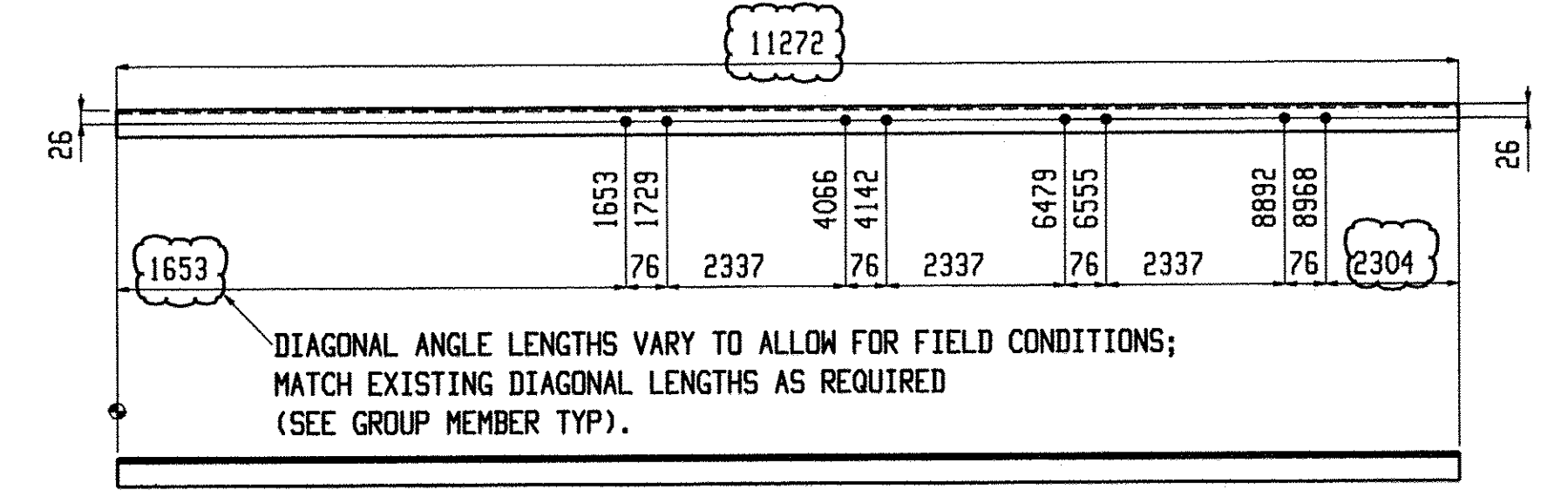


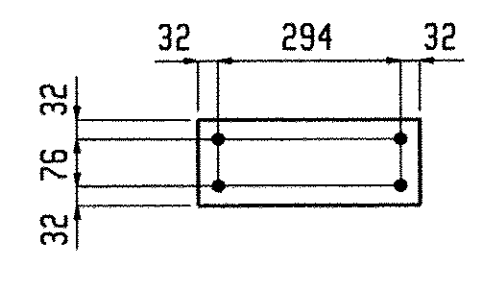
208 MISCS M14



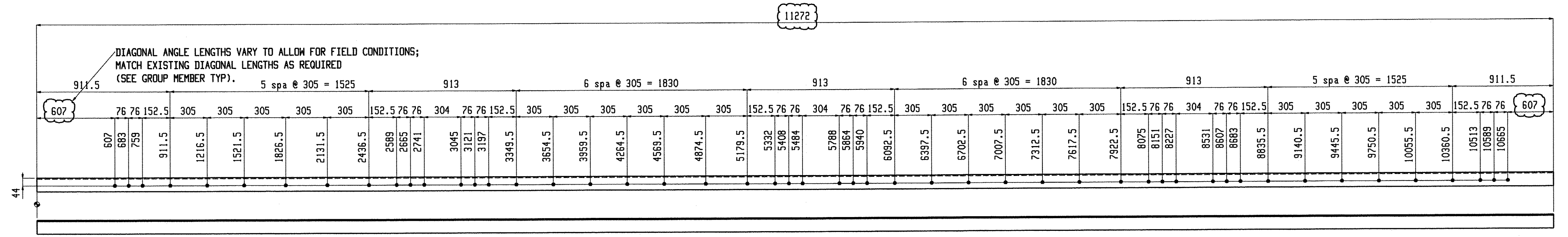
4 MISCS A51



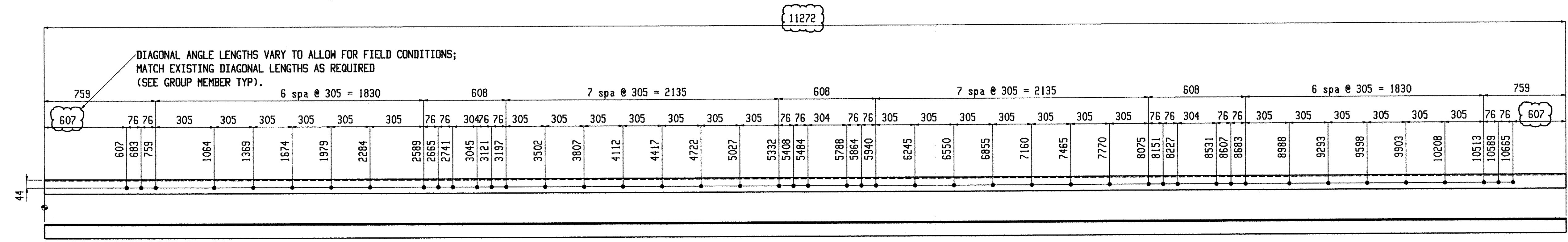
4 MISCS A52



32 MISCS M15



4 MISCS A53



4 MISCS A54

RECEIVED
 NOV 17 2009
 DATE

NOTE: WORK THIS DRAWING WITH GROUP MEMBER GM13, GM15&GM16

BILL OF MATERIAL										BILL OF MATERIAL										BILL OF MATERIAL									
Qty	Piece			Seq	Seq	Adv	Steel		Remarks	Qty	Piece			Seq	Seq	Adv	Steel		Remarks	Qty	Piece			Seq	Seq	Adv	Steel		Remarks
Tot.	Mark	Description	Length	NO.	Qty	ABM #	Grade			Tot.	Mark	Description	Length	NO.	Qty	ABM #	Grade			Tot.	Mark	Description	Length	NO.	Qty	ABM #	Grade		
208	M14	MISC		1	208					4	A51	L51x51x6.4	11272																
208	M14	PL6.4x64	427.5				M270M-345													4	A54	MISC		1	4				
										4	A52	MISC		1	4					4	A54	L76x76x6.4	11272						
32	M15	MISC		1	32					4	A52	L51x51x6.4	11272																
32	M15	PL6.4x140	358				M270M-345																						
										4	A53	MISC		1	4														
										4	A53	L76x76x6.4	11272																

Total weight: 1451

Renaud Bros. Inc.
 283 Fort Bridgeman Rd. #2
 Vernon, VT. 05354
 Phone 1-802 257-7383

Holes: 21mm UNO
 BOLTS: 19mm DIA. M164M-I GALV UNO
 Steel GR: M270M-GR345 UNO
 Paint: PER SPECS (GREEN) UNO
 Surface Prep: PER SPECS

Project: **DUMMERSTON BRIDGE**
 DUMMERSTON, VT

Date: 9-9-09
 DWN. BY: EG
 Checked: MRS

Job No. **BHO 1442(22)**
 Sheet No. **19**

Nov 06 2009 10:55:37 AM