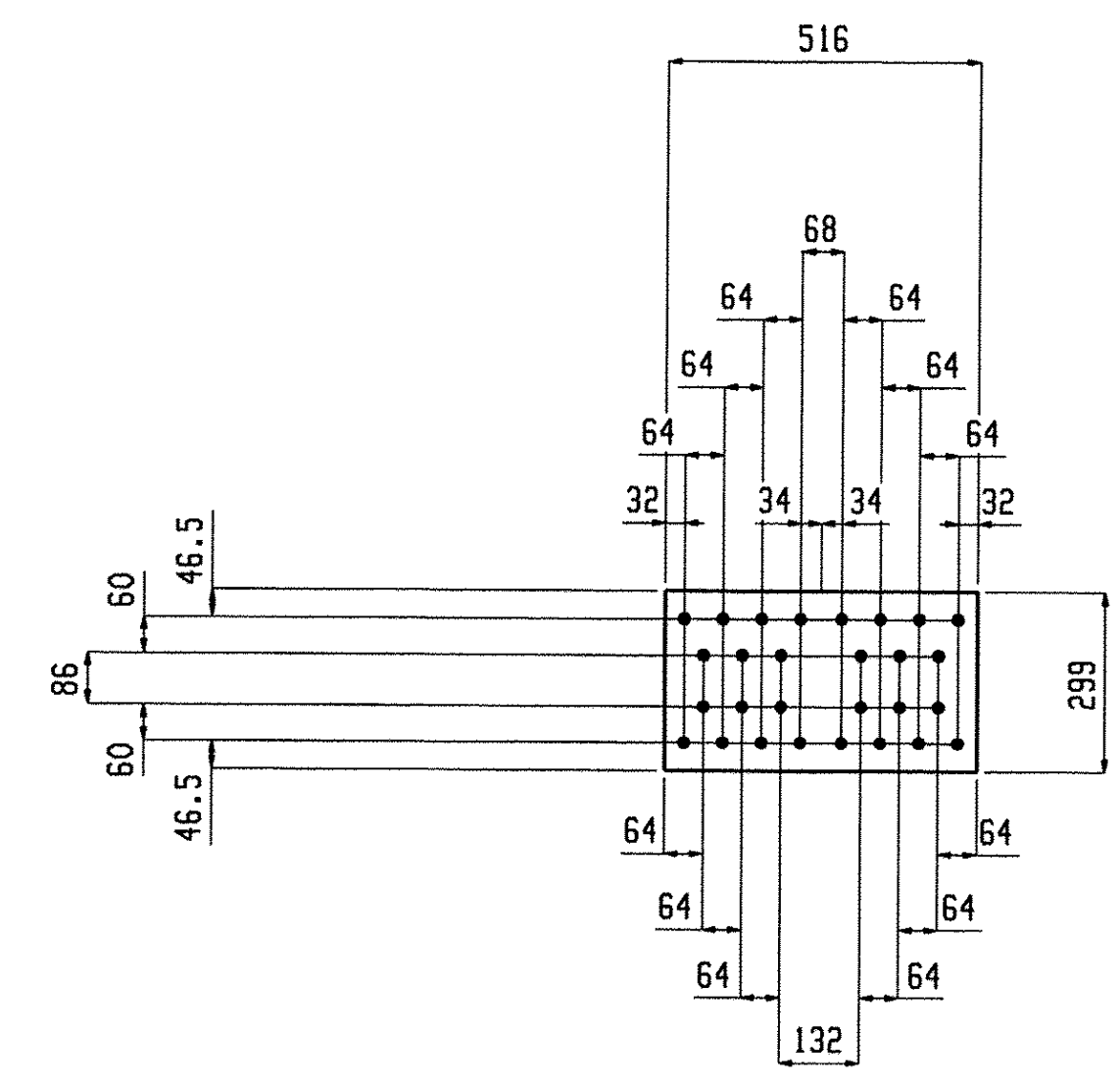
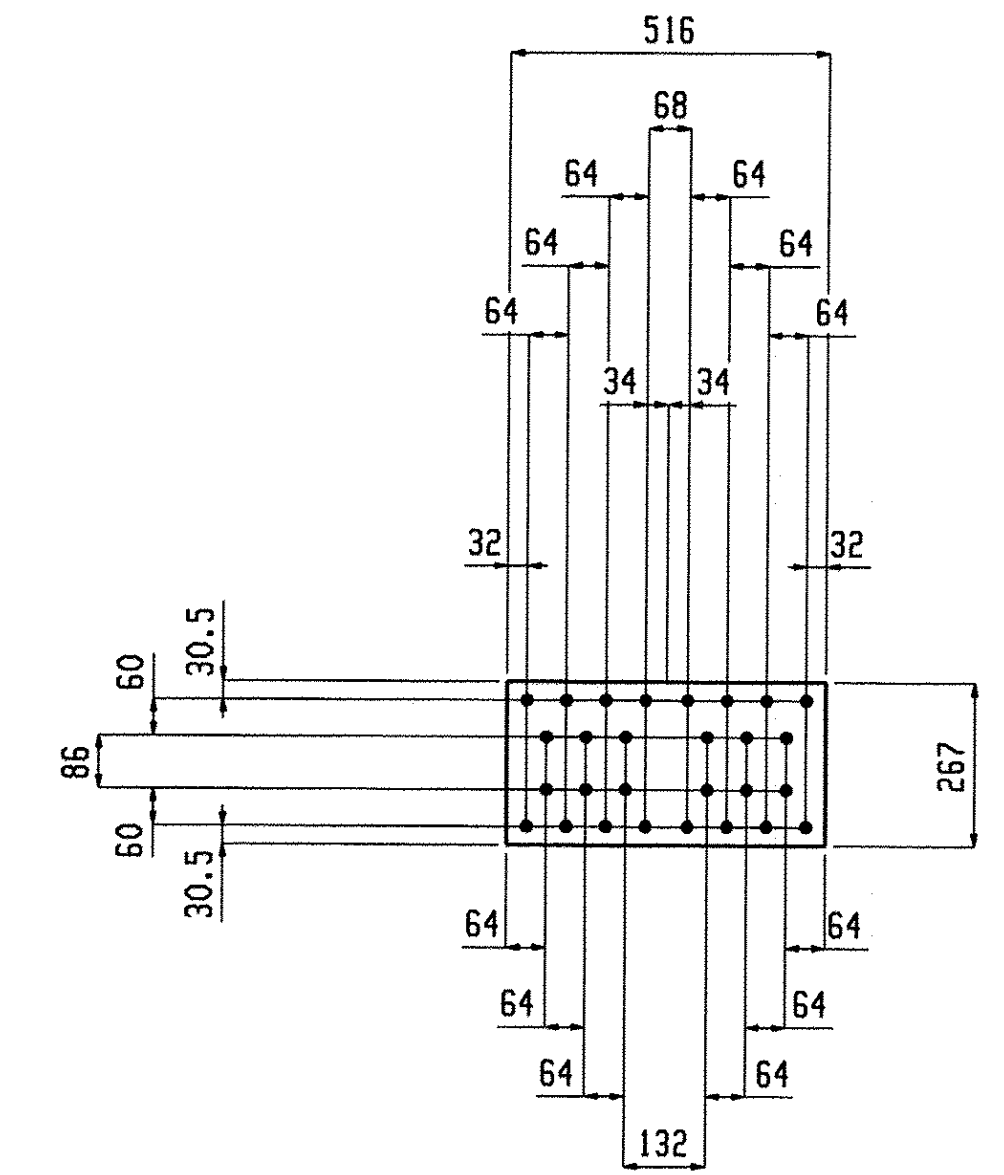


ONE HORIZONTAL BRACE HB12

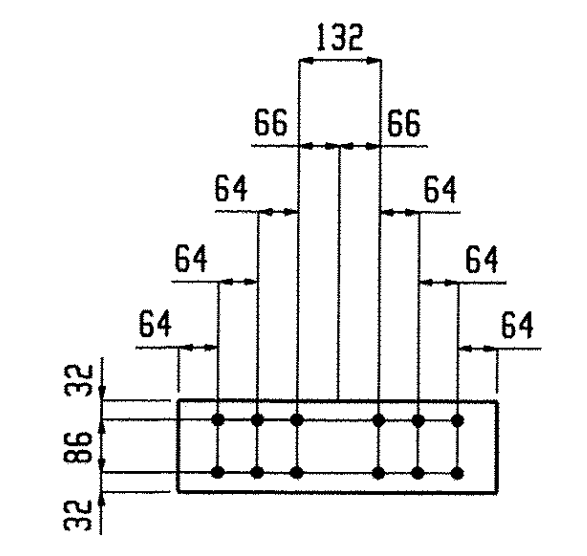
SHOP NOTE:
TOE DIRECTION FAR SIDE



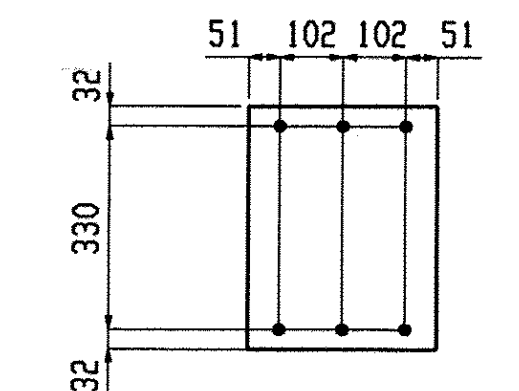
16 MISCS SP1



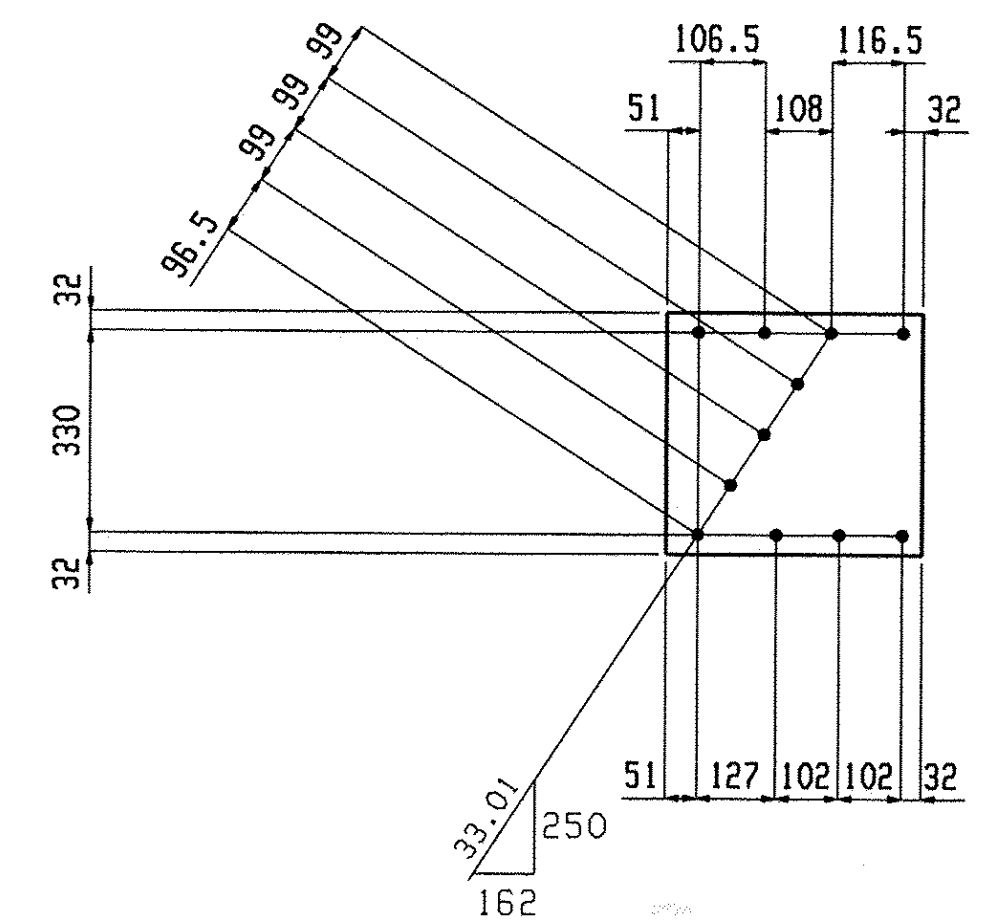
16 MISCS SP2



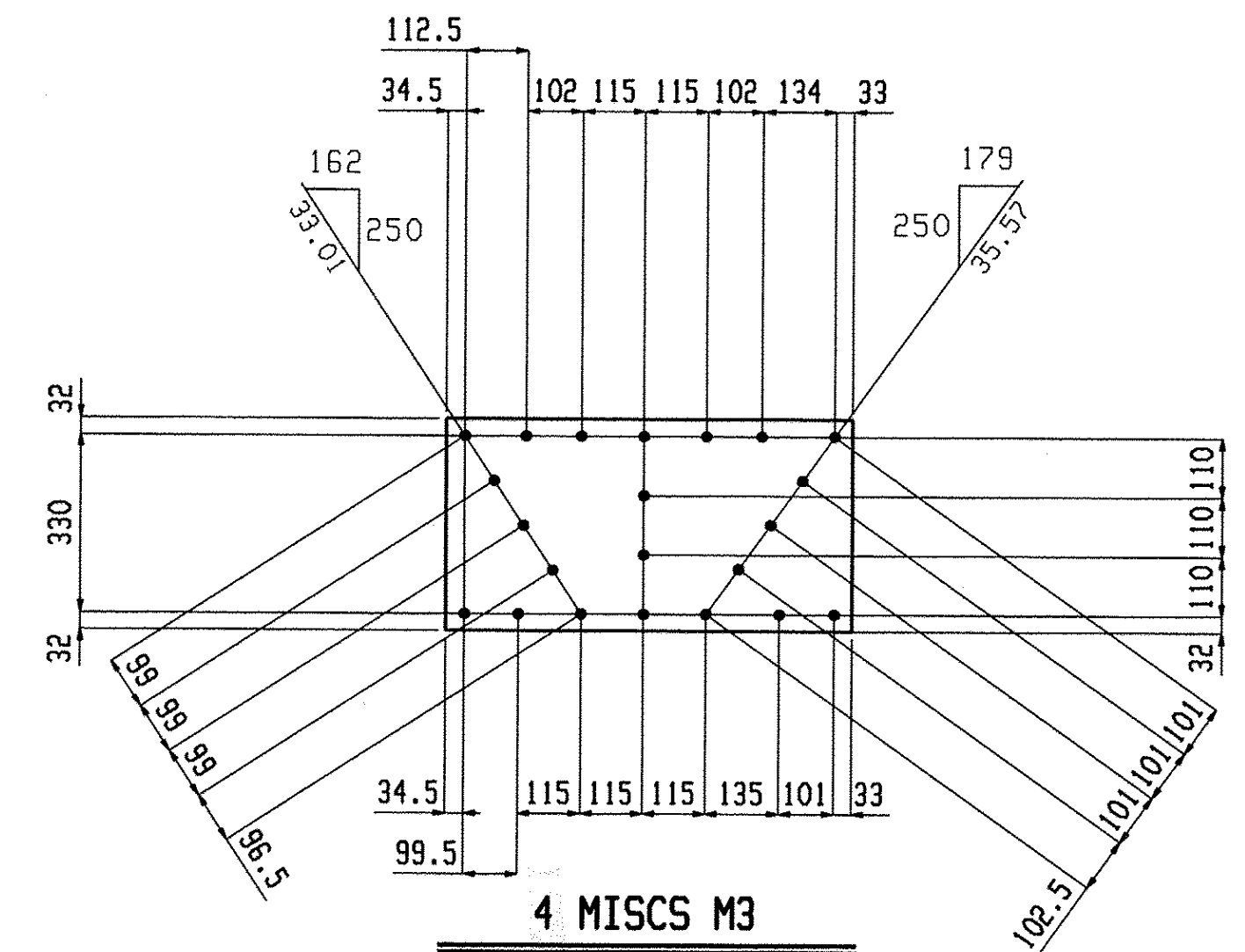
16 MISCS SP3



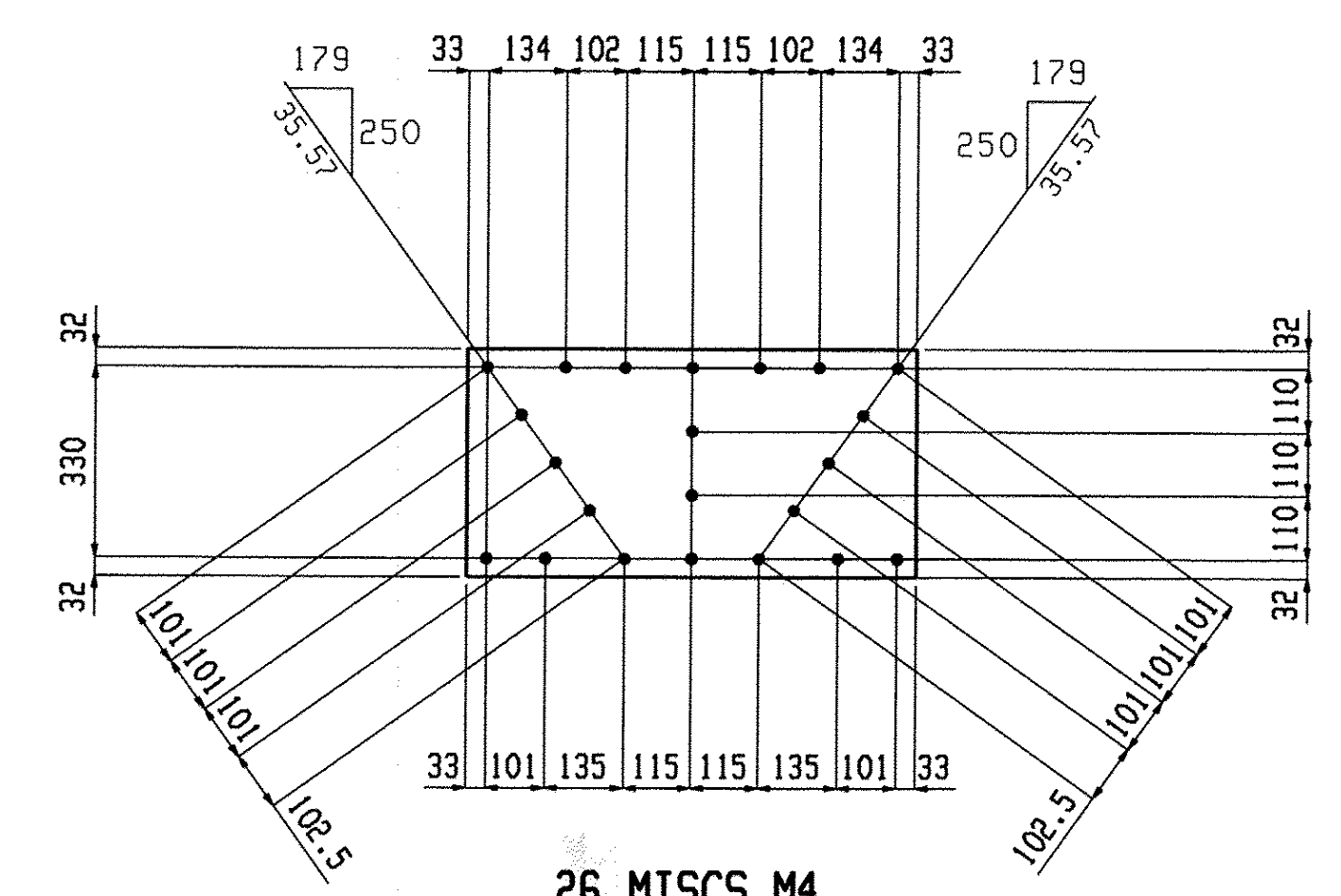
32 MISCS M1



4 MISCS M2



4 MISCS M3



26 MISCS M4



8 MISCS M5

4?

BILL OF MATERIAL										BILL OF MATERIAL										BILL OF MATERIAL									
Qty	Piece			Seq	Seq	Adv	Steel			Qty	Piece			Seq	Seq	Adv	Steel			Qty	Piece			Seq	Seq	Adv	Steel		
Tot.	Mark	Description	Length	NO.	Qty	ABM #	Grade	Remarks		Tot.	Mark	Description	Length	NO.	Qty	ABM #	Grade	Remarks		Tot.	Mark	Description	Length	NO.	Qty	ABM #	Grade	Remarks	
1	HB12	HORIZONTAL BRACE	941	1	1		M270M-345			16	SP3	MISC	516	1	16		M270M-345			4	M3	MISC	748	1	4		M270M-345		
16	SP1	MISC		1	16					32	M1	MISC	394	1	32		M270M-345			26	M4	MISC	768	1	26		M270M-345		
16	SP2	MISC		1	16					4	M2	MISC	414	1	4		M270M-345			8	M5	MISC	90	1	8		M270M-345		
16	SP2	PL15.3x267	516				M270M-345			4	M2	PL9.5x394	414				M270M-345			8	M5	L51x51x6.4	90				M270M-345		

Total weight: 1574

RECEIVED
 OK'D BY _____ OK'D BY _____
 NOV 17 2009
 REQUESTED BY _____ APPROVED BY _____
 DATE _____

Renaud Bros. Inc.		Holes: 21mm UNF	
283 Fort Bridgeman Rd. #2 Vernon, VT. 05354 Phone 1-802 257-7383		BOLTS: 19mm DIA. M164M-I GALV UNF	
Rev. No: _____		Steel GR: M270M-GR345 UNF	
Date: 9-9-09		Paint: PER SPECS (GREEN) UNF	
Project: DUMMERSTON BRIDGE DUMMERSTON, VT		Surface Prep: PER SPECS	
DWN. BY: EG		Job No. BHO 1442 (28)	
Checked: MRS		Sheet No. 3	

Nov 06 2009 10:54:35 AM

product?