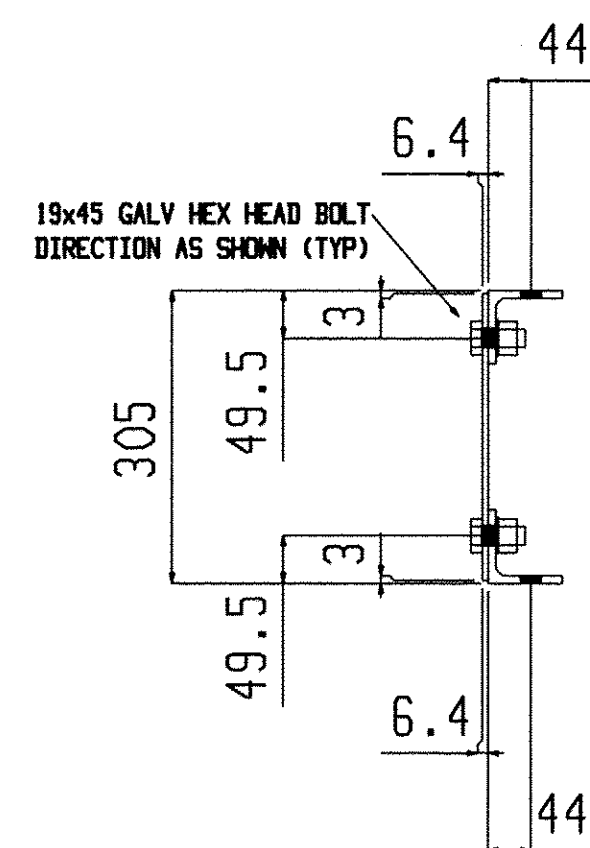
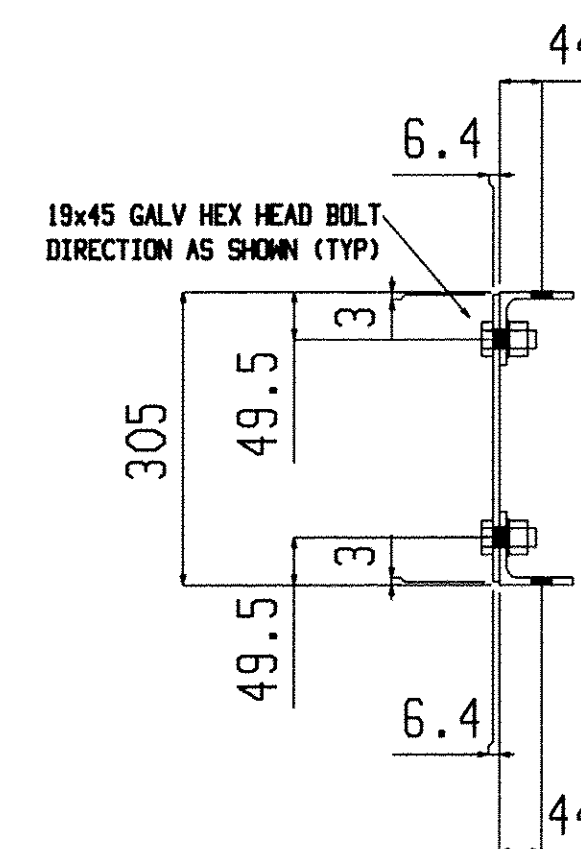


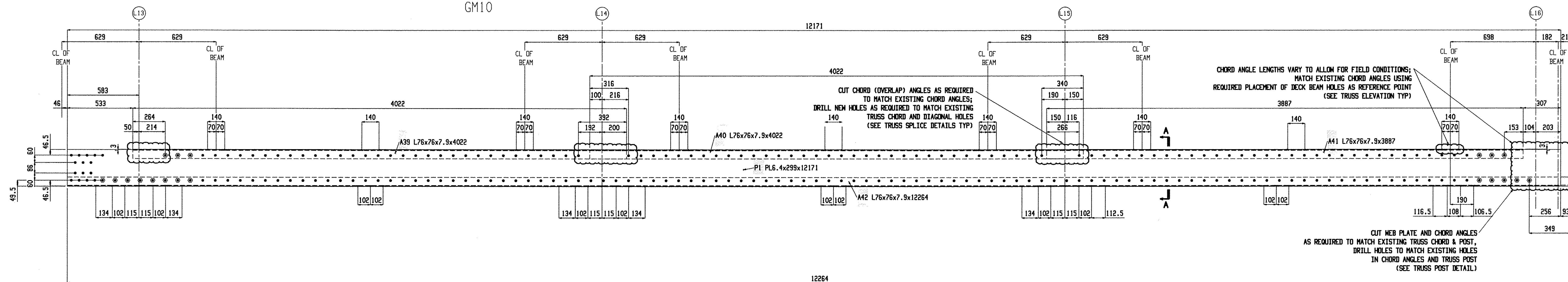
2 GROUP MEMBERS GM9



Section A-A  
GM10



Section A-A  
GM9



2 GROUP MEMBERS GM10

BILL OF MATERIAL							BILL OF MATERIAL							BILL OF MATERIAL												
Qty	Piece	Description	Length	Seq	Seq	Adv	Steel	Remarks	Qty	Piece	Description	Length	Seq	Seq	Adv	Steel	Remarks	Qty	Piece	Description	Length	Seq	Seq	Adv	Steel	Remarks
Tot.	Mark			NO.	Qty	ADM #	Grade		Tot.	Mark			NO.	Qty	ADM #	Grade		Tot.	Mark			NO.	Qty	ADM #	Grade	
2		GM9							2		GM10															
2	P2	PL6.4x299	11337				M270M-345		2	P1	PL6.4x299	12171				M270M-345										
2	A38	L76x76x7.9	11337				M270M-345		2	A42	L76x76x7.9	12264				M270M-345										
2	A37	L76x76x7.9	4072				M270M-345		2	A39	L76x76x7.9	4022				M270M-345										
2	A36	L76x76x7.9	4072				M270M-345		2	A40	L76x76x7.9	4022				M270M-345										
2	A35	L76x76x7.9	4072				M270M-345		2	A41	L76x76x7.9	3887				M270M-345										

Total weight : 1565

RECEIVED  
 OK'D BY \_\_\_\_\_  
 NOV 17 2009  
 REQUEST APPROVED  
 BY \_\_\_\_\_ DATE \_\_\_\_\_

**Renaud Bros. Inc.**  
 283 Fort Bridgeman Rd. #2  
 Vernon, VT. 05354  
 Phone 1-802 257-7383

Holes: 21mm UNF  
 BOLTS: 19mm DIA. M164M-I GALV UNF  
 Steel GR: M270M-GR345 UNF  
 Paint: PER SPECS (GREEN) UNF  
 Surface Prep: PER SPECS

Rev.No: \_\_\_\_\_ Date: 9-9-09 Job No. 840 1442 (28)  
 DNM. BY: EG Checked: MRS Sheet No. GM9, GM10

Nov 06 2009 10:54:09 AM