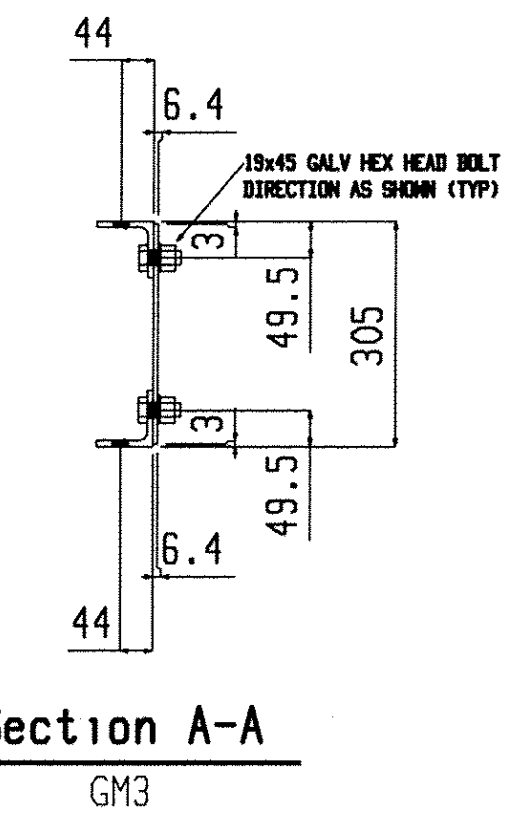
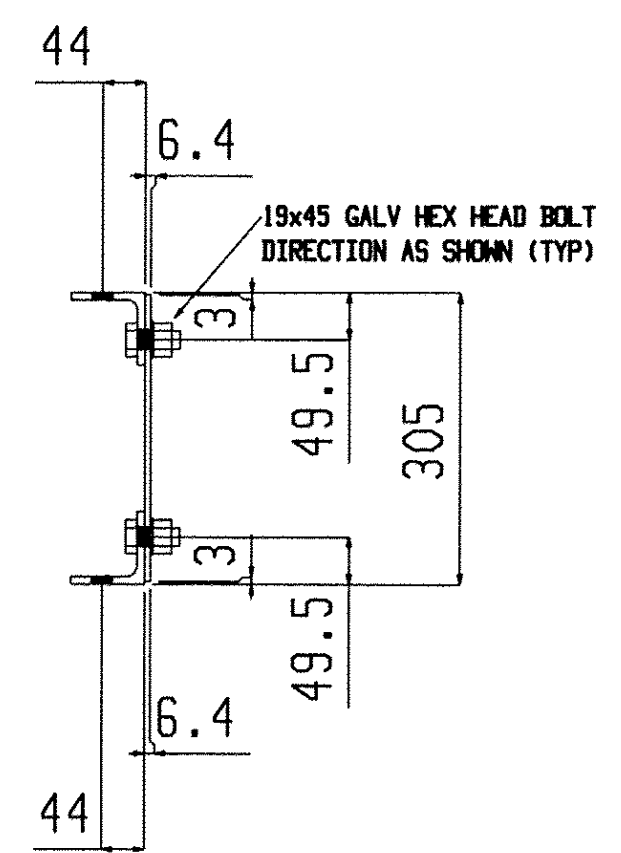


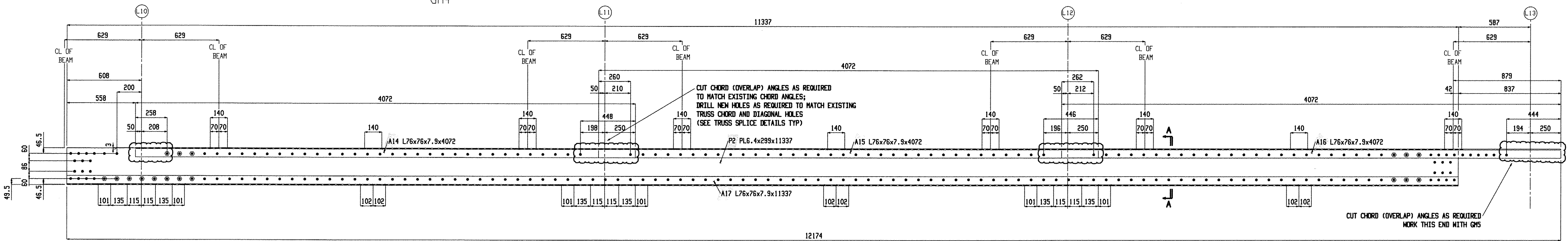
2 GROUP MEMBERS GM3



Section A-A  
GM3



Section A-A  
GM4



2 GROUP MEMBERS GM4

BILL OF MATERIAL								BILL OF MATERIAL								BILL OF MATERIAL										
Qty	Piece							Qty	Piece							Qty	Piece									
Tot.	Mark	Description	Length	Seq. NO.	Seq. Qty	Adv. ABM #	Steel Grade	Remarks	Tot.	Mark	Description	Length	Seq. NO.	Seq. Qty	Adv. ABM #	Steel Grade	Remarks	Tot.	Mark	Description	Length	Seq. NO.	Seq. Qty	Adv. ABM #	Steel Grade	Remarks
2	GM3	GROUP MEMBER							2	GM4	GROUP MEMBER															
2	P3	PL6.4x299	13864				M270M-345		2	P2	PL6.4x299	11337				M270M-345										
2	A13	L76x76x7.9	13864				M270M-345		2	A17	L76x76x7.9	11337				M270M-345										
2	A9	L76x76x7.9	4072				M270M-345		2	A16	L76x76x7.9	4072				M270M-345										
2	A10	L76x76x7.9	4072				M270M-345		2	A15	L76x76x7.9	4072				M270M-345										
2	A11	L76x76x7.9	4072				M270M-345		2	A14	L76x76x7.9	4072				M270M-345										
2	A12	L76x76x7.9	4072				M270M-345																			

Total weight : 1722

RECEIVED  
 CK'D BY \_\_\_\_\_ OK'D BY \_\_\_\_\_  
 NOV 17 2009  
 RESUBMIT APPROVED AS NOTED  
 BY \_\_\_\_\_ DATE \_\_\_\_\_

**Renaud Bros. Inc.**  
 283 Fort Bridgeman Rd. #2  
 Vernon, VT. 05354  
 Phone 1-802 257-7383

Holes: 21mm UNO  
 BOLTS: 19mm DIA. M164M-I GALV UNO  
 Steel GR: M270M-GR345 UNO  
 Paint: PER SPECS (GREEN) UNO  
 Surface Prep: PER SPECS

Rev. No: \_\_\_\_\_ Date: 9-9-09 Job No. BHD 1442 (28)  
 Project: DUMMERSTON BRIDGE DUMMERSTON, VT  
 DWN. BY: EG Checked: MRS Sheet No. GM3, GM4

Nov 06 2009 10:53:58 AM