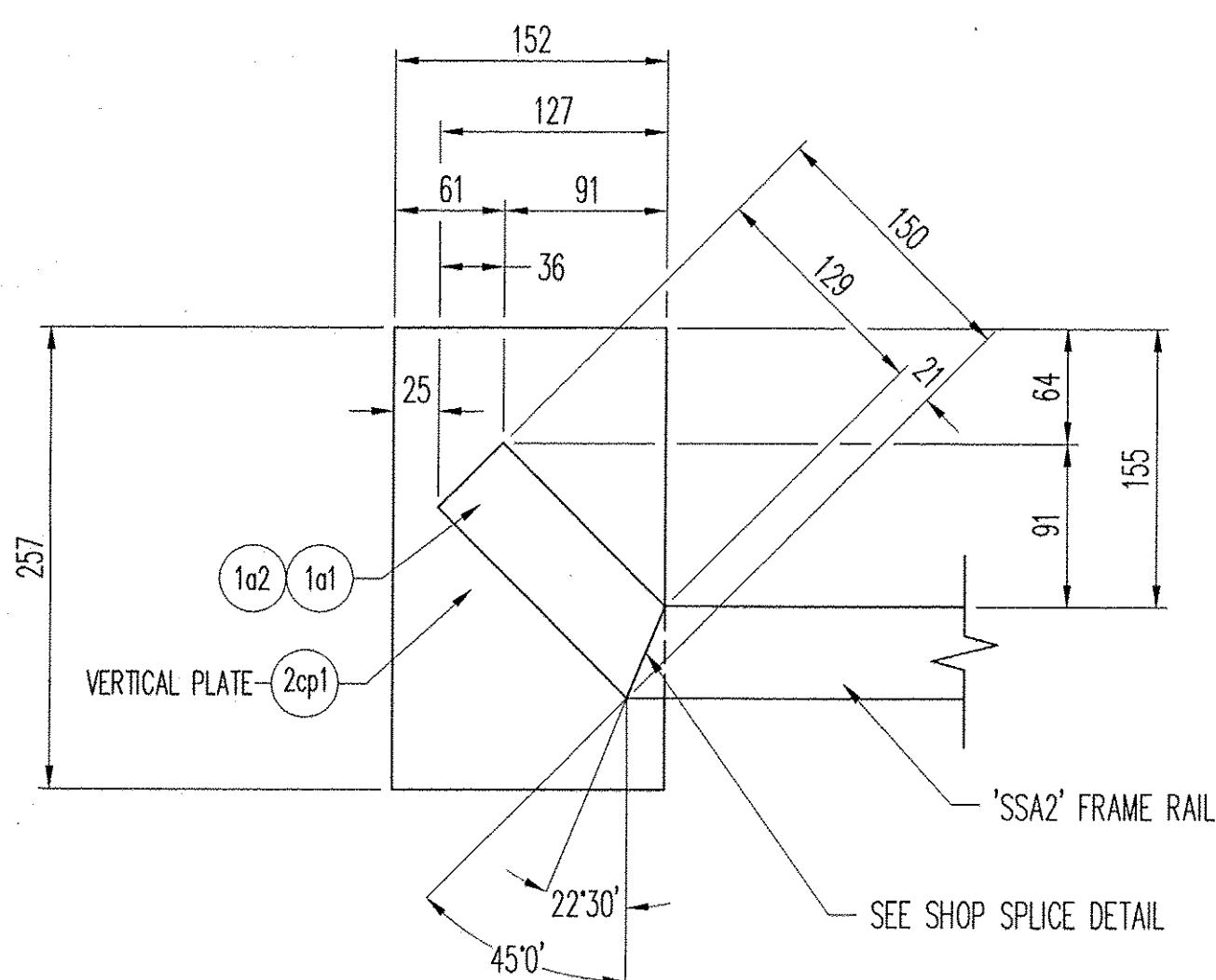


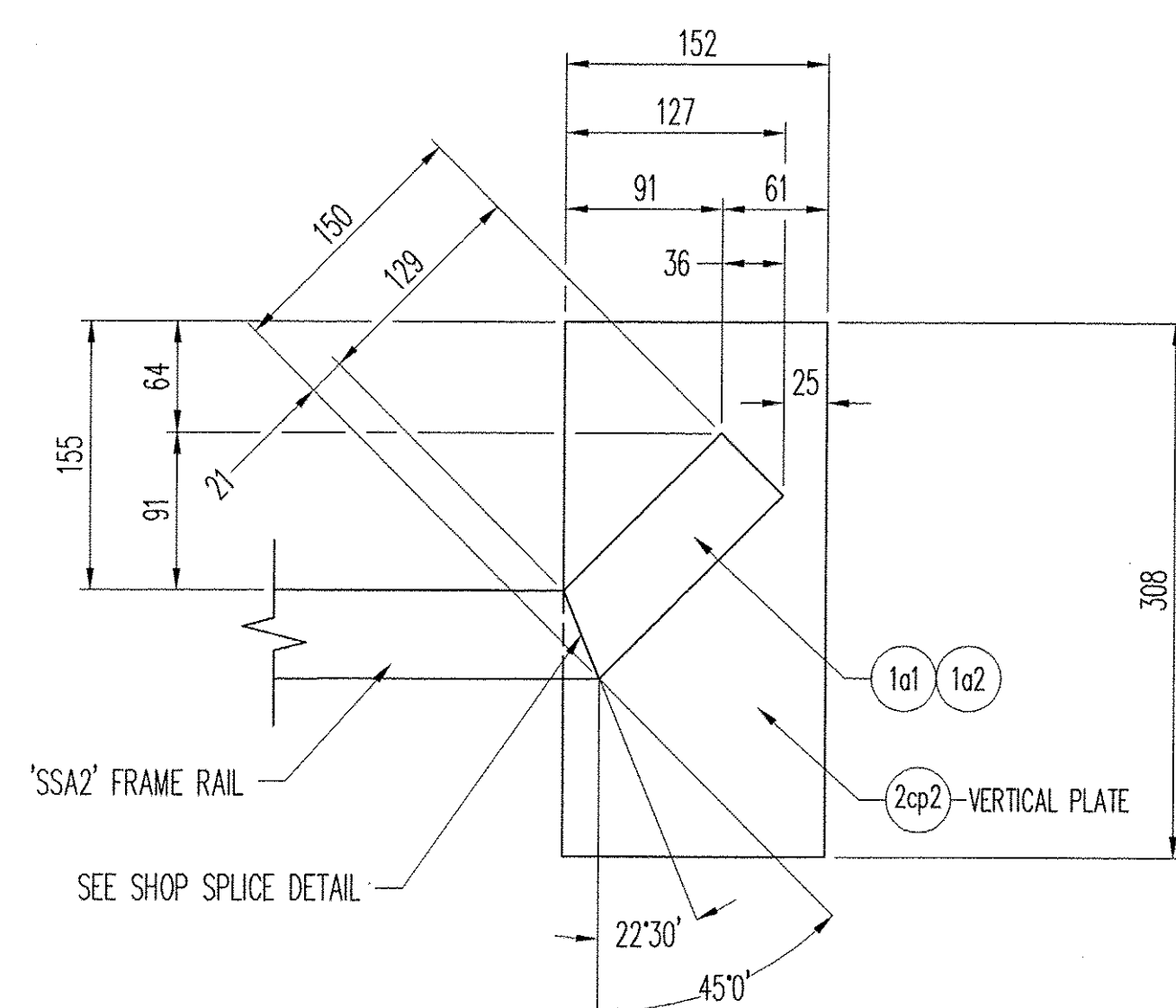
PLAN VIEW
 TH 62 OVER WEST RIVER
 BRIDGE NO. 37
 ABUTMENT 1 (LOOKING DOWNSTATION)
 ABUTMENT 2 (LOOKING UPSTATION)
 'SSA2'-400 EXP. JOINT (M.R. = 102mm)
 (2) JOINTS TOTAL

NOTE: ONLY VERTICAL PLATES SHOWN FOR CLARITY. SEE SHEET 2 FOR FULL COVER PLATE DETAILS.

MK	QTY	DESCRIPTION	MATERIAL	LENGTH	REMARKS	REV
1A	2	EXPANSION JOINT ASSEMBLY			3986MM	-
1a1	4	SSA2 FRAME RAIL	M270 GR 250 (A709)	150.0	A123-HDG	-
1a2	4	SSA2 FRAME RAIL	M270 GR 250 (A709)	150.0	A123-HDG	-
1a3	2	SSA2 FRAME RAIL	M270 GR 250 (A709)	3724.0	A123-HDG	-
1a4	2	SSA2 FRAME RAIL	M270 GR 250 (A709)	3724.0	A123-HDG	-
1a5	2	12.7 X 102.0	M270 GR 250 (A709)	3682.0	A123-HDG	-
1a6	2	W10X45	M270 GR 250 (A709)	3682.0	A123-HDG	-
2cp1	4	12.7 X 152.0	M270 GR 250 (A709)	257.0	A123-HDG	-
2cp2	4	12.7 X 152.0	M270 GR 250 (A709)	308.0	A123-HDG	-
2cp3	4	12.7 X 152.0	M270 GR 250 (A709)	444.0	A123-HDG	-
2cp4	2	12.7 X 161.0	M270 GR 250 (A709)	444.0	A123-HDG	-
2cp5	2	12.7 X 161.0	M270 GR 250 (A709)	444.0	A123-HDG	-
3h1	36	Ø15.9 X 203.2 WELD STUD	M169 (A108)		A123-HDG	-
3h2	24	Ø15.9 X 203.2 WELD STUD	M169 (A108)		BENT 45° @ 50MM; A123-HDG	-
3p1	12	12.7 X 77.0	M270 GR 250 (A709)	114.0	A123-HDG	-
1XA	12	VERTICAL SUPPORT PLATE				-
3p2	12	12.7 X 83.0	M270 GR 250 (A709)	101.0	A123-HDG	-
1XC	12	STIFFENER BOLT				-
3h3	12	Ø19.1 X 57.2 HEX HEAD BOLT	M164 (A325)		A153-HDG	-
1XF	12	SUPPORT NUT				-
3h4	12	Ø19.1 HEX NUT	M291-DH (A563-DH)		A153-HDG	-
1XG	24	SUPPORT WASHER				-
3h5	24	Ø19.1 FLAT WASHER	M293 (F436)		A153-HDG	-
1YA	1	LUBRICANT-ADHESIVE				-
1h19	1	LUBRICANT ADHESIVE (1 GAL. UNIT)	D4070			-
1YB	2	STRIP SEAL GLAND				-
1g1	2	A2R-400 GLAND	NEOPRENE	4550.0		-
						11/11/2009 9:33:29 AM



UPTURN DETAIL
 DECK SIDE



UPTURN DETAIL
 ABUTMENT SIDE

RECEIVED
 NOV 17 2009
 APPROVED ASD
 DATE 12/21/09

D.S. BROWN
 THE D.S. BROWN COMPANY
 300 E. CHERRY STREET
 NORTH BALTIMORE, OHIO 45872
 419.257.3561
 FAX: 419.257.0332
 WWW.DSBROWN.COM

REV.	DESCRIPTION	DATE	DET.	CKD.
	LOCATION — TH 62 OVER WEST RIVER			
	BRIDGE — 37			
	PROJECT NO. — BHO 1442 (28)			
	DESIGNER — VANASSE HANGEN BRUSTLIN, INC.			
	CUSTOMER — RENAUD BROTHERS			
	SCALE: N.T.S.	DRAWN BY: MJS	CHECKED BY: DAE	DATE: 11/05/09
	PROJECT NUMBER: 27177	PRODUCT CODE: 1011	RELEASE: —	SHEET: 1 OF 3