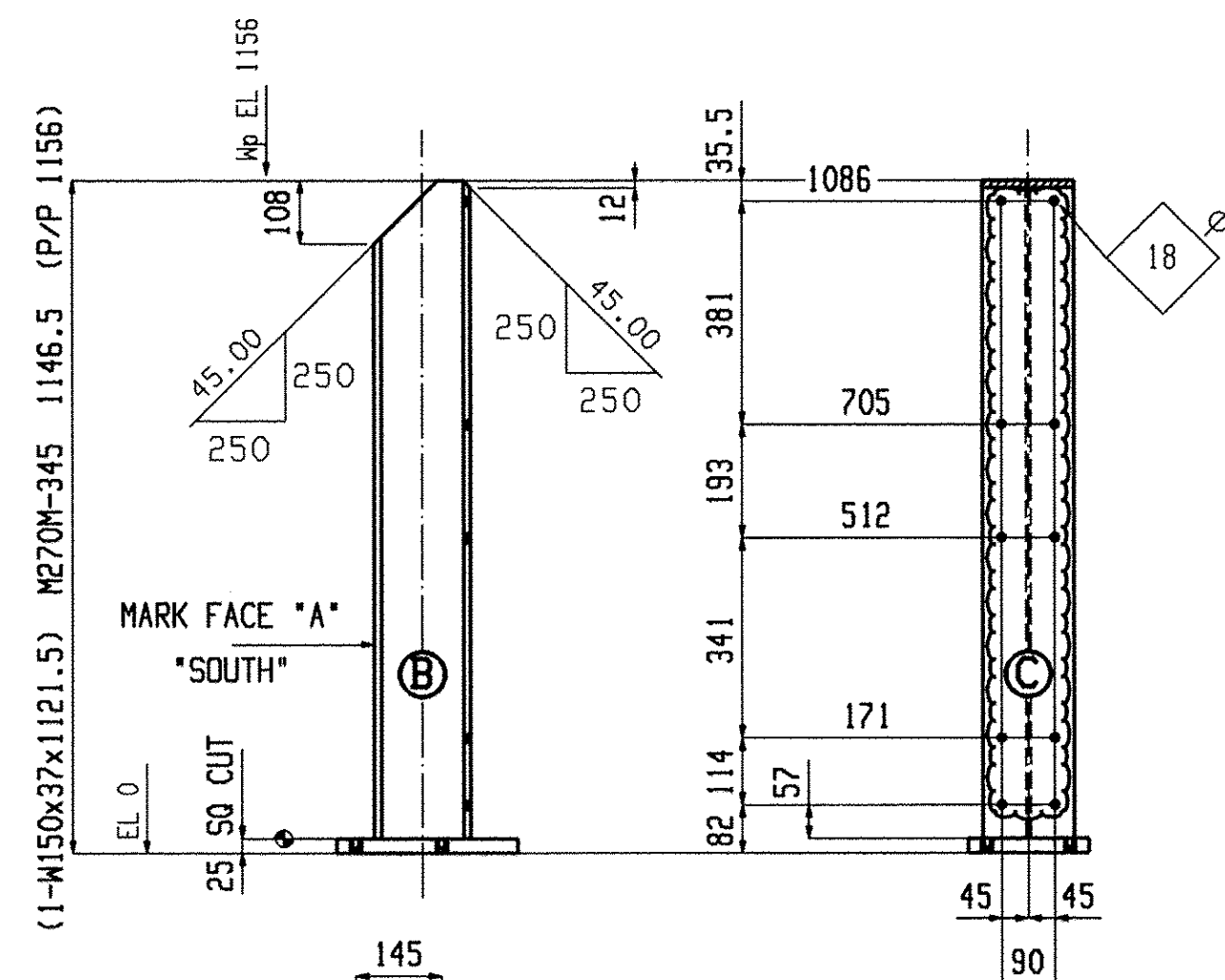


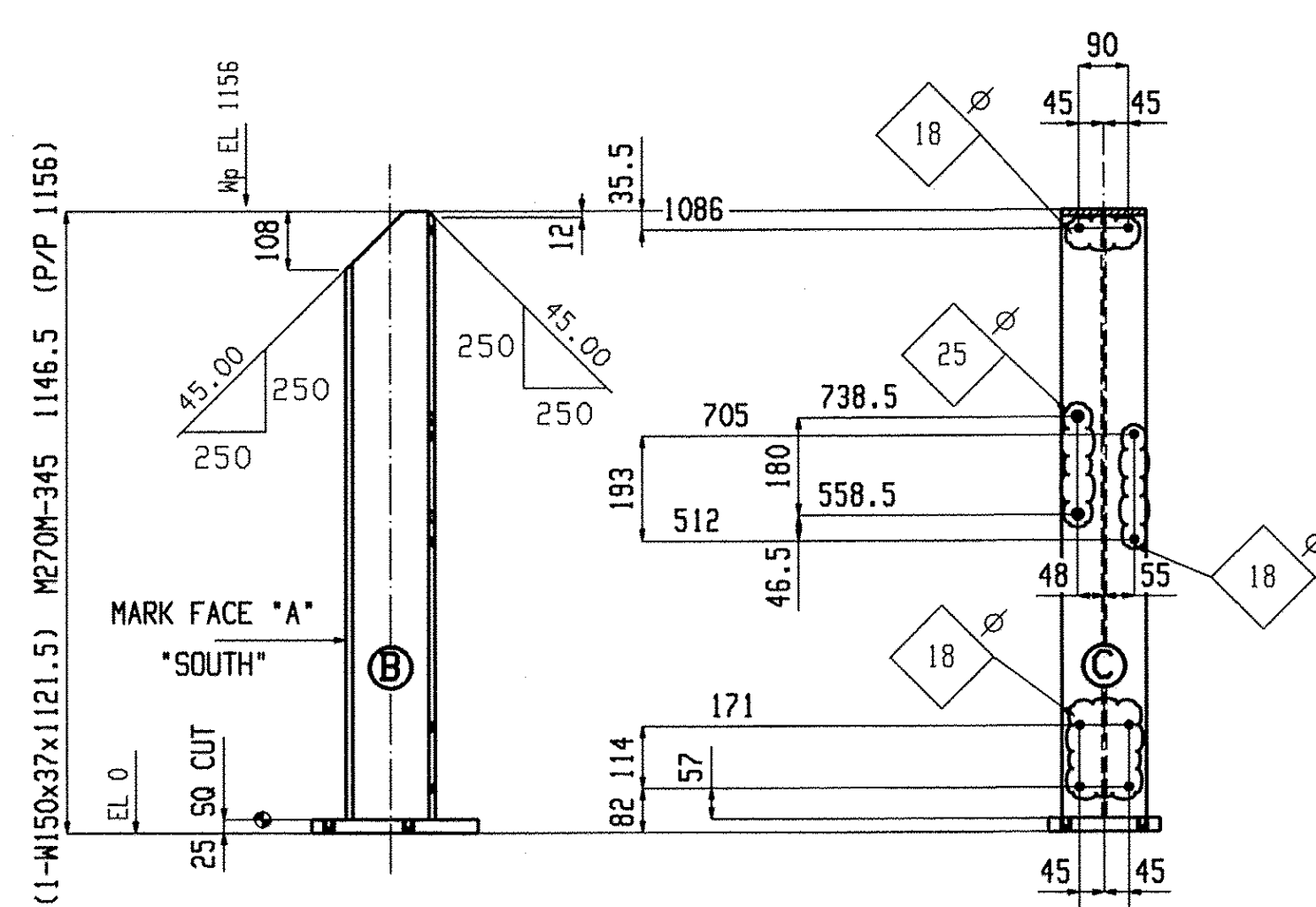
ONE BEAM R32

SHOP NOTE:
TOE DIRECTION FAR SIDE



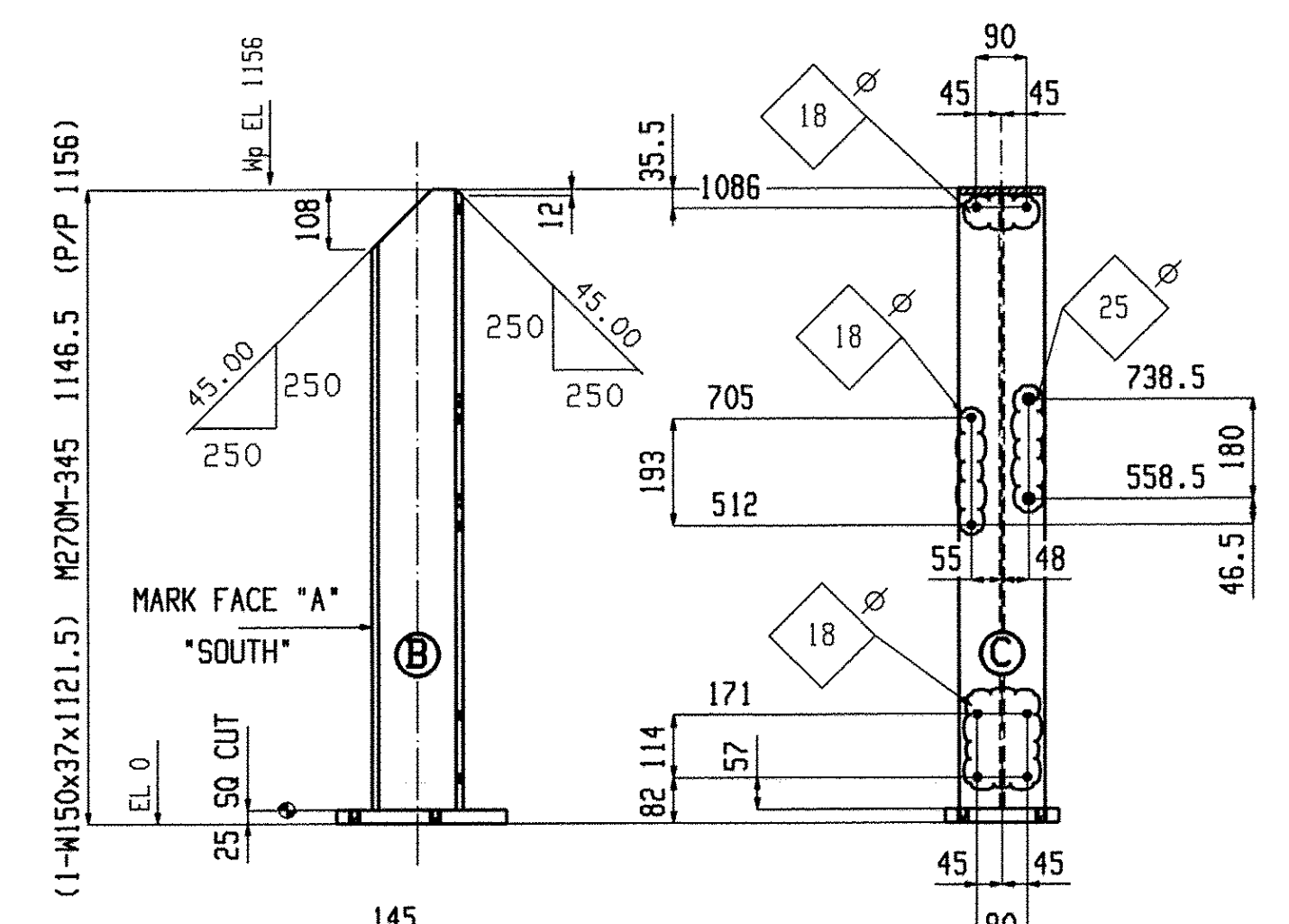
24 COLUMNS C1

W 162x8
F 154.5x11.5
K 20.5x13



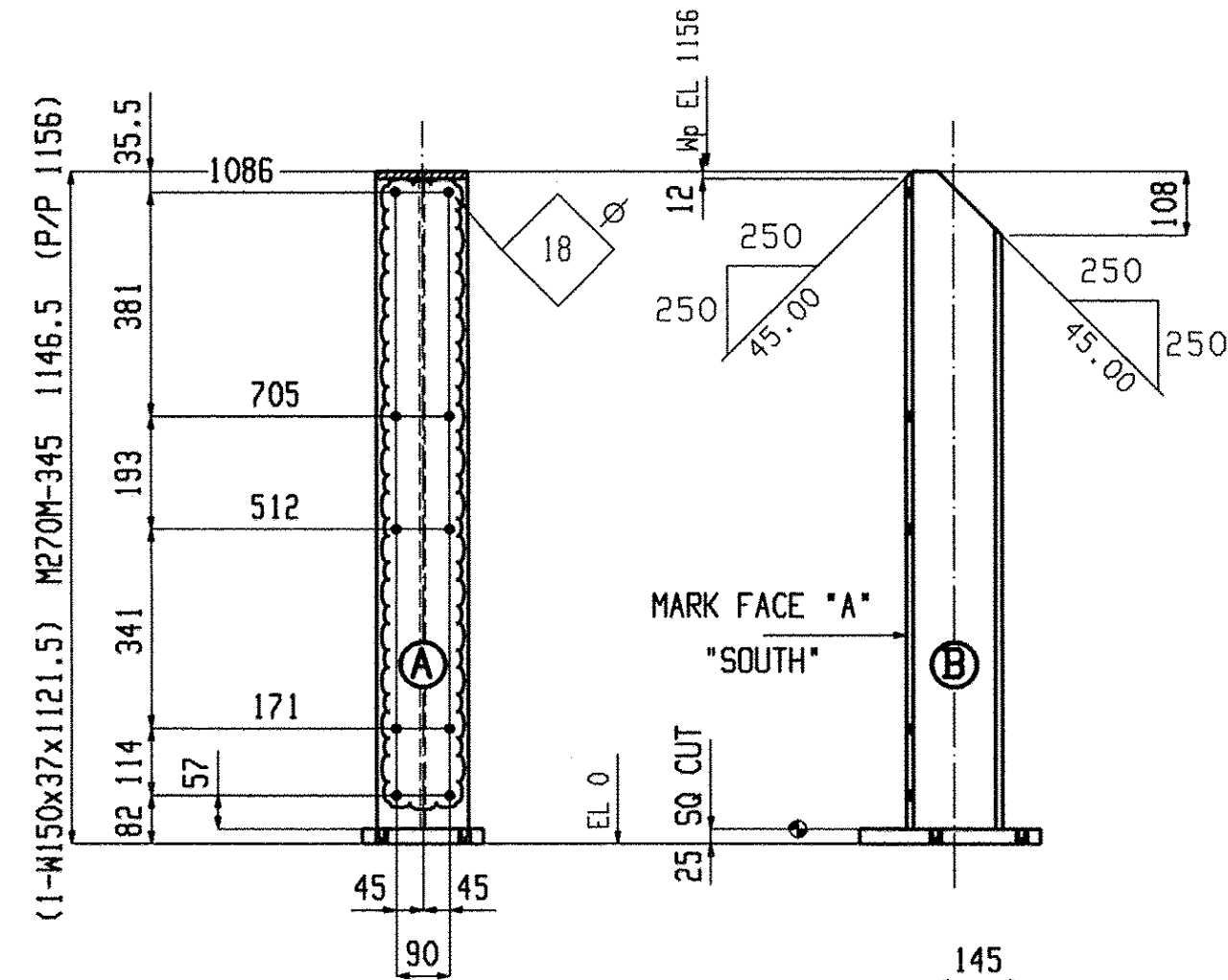
ONE COLUMN C2

W 162x8
F 154.5x11.5
K 20.5x13



ONE COLUMN C3

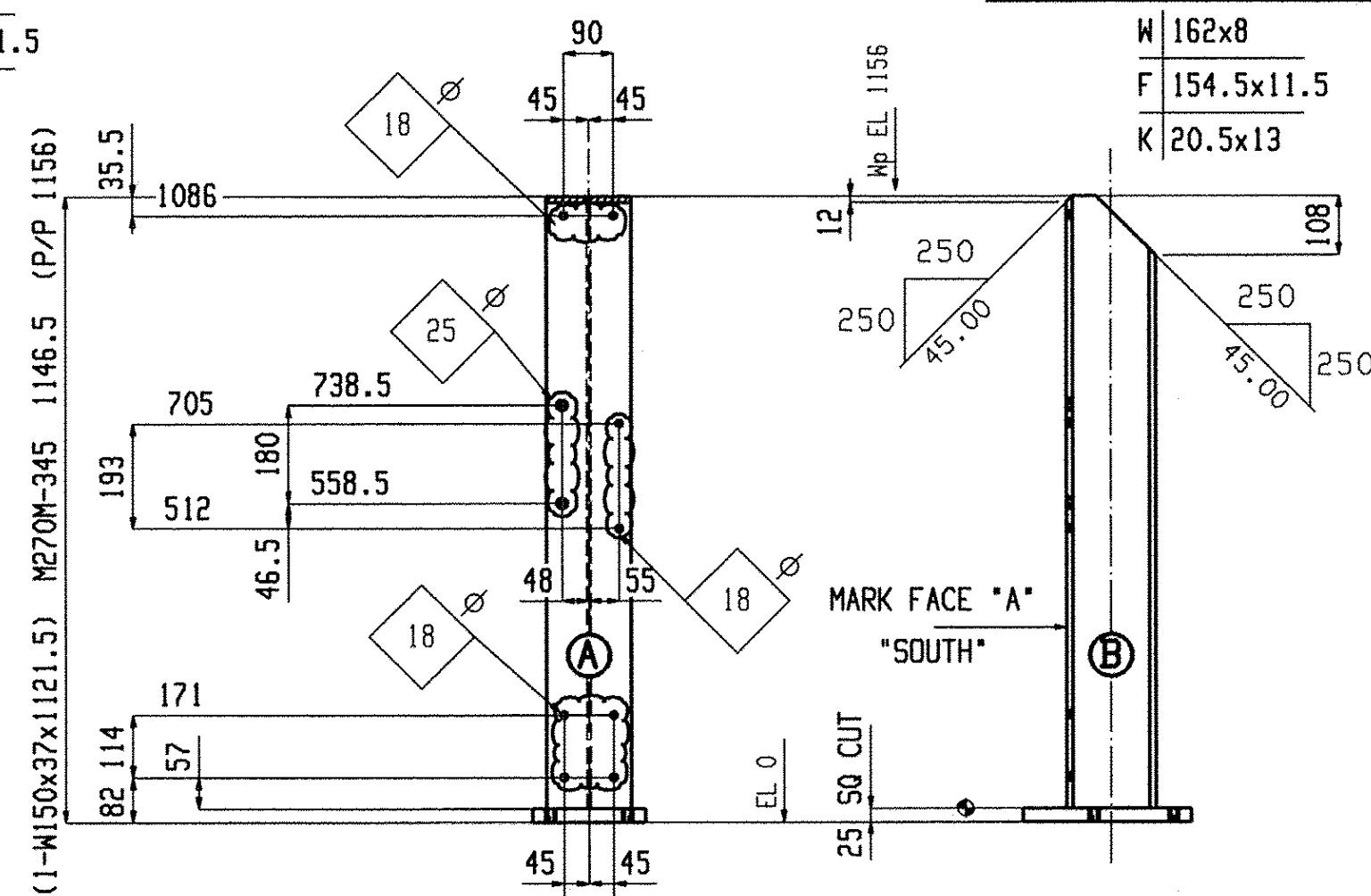
W 162x8
F 154.5x11.5
K 20.5x13



ALL EXPOSED CUT OR SHEARED EDGES
SHALL BE FREE OF BURRS AND
GROUND TO A 2mm RADIUS

24 COLUMNS C4

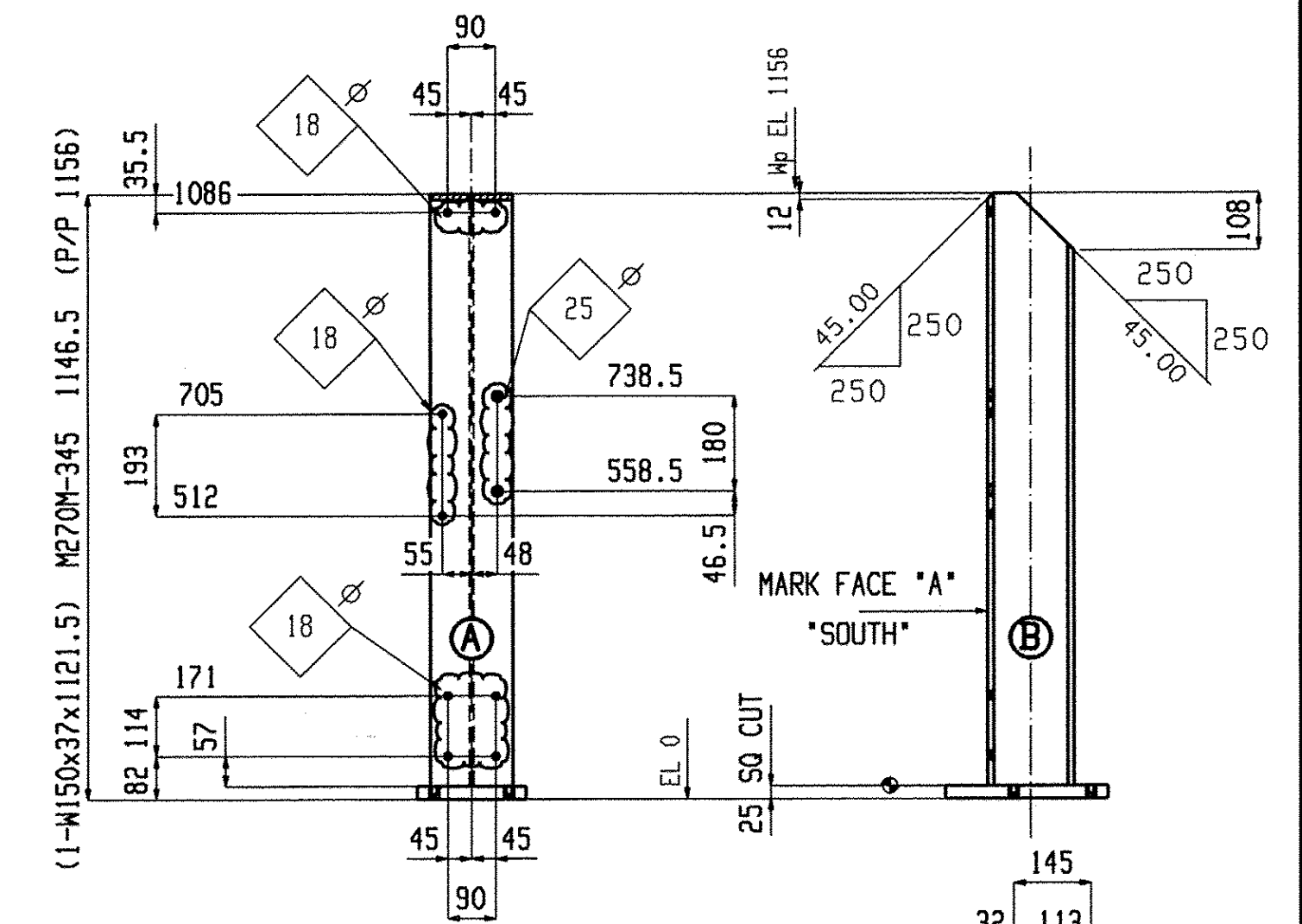
W 162x8
F 154.5x11.5
K 20.5x13



ALL EXPOSED CUT OR SHEARED EDGES
SHALL BE FREE OF BURRS AND
GROUND TO A 2mm RADIUS

ONE COLUMN C5

W 162x8
F 154.5x11.5
K 20.5x13



ALL EXPOSED CUT OR SHEARED EDGES
SHALL BE FREE OF BURRS AND
GROUND TO A 2mm RADIUS

ONE COLUMN C6

W 162x8
F 154.5x11.5
K 20.5x13

RECEIVED
CHK. BY: OKOBY
APR 01 2010
RESUBMIT: APPROVED
BY: DATE: 4/28/10

BILL OF MATERIAL									BILL OF MATERIAL									BILL OF MATERIAL									
Qty	Piece								Qty	Piece								Qty	Piece								
Tot.	Mark	Description	Length	Seq. NO.	Seq. Qty	Adv. ABM #	Steel Grade	Remarks	Tot.	Mark	Description	Length	Seq. NO.	Seq. Qty	Adv. ABM #	Steel Grade	Remarks	Tot.	Mark	Description	Length	Seq. NO.	Seq. Qty	Adv. ABM #	Steel Grade	Remarks	
ONE	R32	BEAM		2	1				1	p33	PL25x204	305				M270M-345		ONE	C5	COLUMN		2	1				
1	R32	L76x64x9.5	10328				M270M-250		ONE	C3	COLUMN		2	1				ONE	C5	COLUMN		1	1				
									1	C3	W150x37	1121				M270M-345	SIE	1	p33	PL25x204	305						
									1	p33	PL25x204	305				M270M-345		ONE	C6	COLUMN		2	1				
									24	C4	COLUMN		2	24				ONE	C6	COLUMN		1	1				
									24	C4	W150x37	1121				M270M-345	SIE	1	p33	PL25x204	305						
									1	C2	W150x37	1121				M270M-345	SIE	1	p33	PL25x204	305						
									1	C2	W150x37	1121				M270M-345	SIE	1	p33	PL25x204	305						

ITEMS ON THIS SHEET ARE PAY ITEM: 900.640 (UN)

Casco Bay Steel Structures		Holes: 21mm UND	
75 Spring Hill Rd Saco, ME, 04072 207-282-7360		BOLTS: 19mm DIA. M164M-I GALV UND	
Project: DUMMERSTON RAILS DUMMERSTON, VT		Steel GR: M270M-GR345 UND	
Date: 9-9-09		Paint: PER SPECS (GREEN) UND	
Job No.		Surface Prep: PER SPECS	
Rev. No:		Date: 3-17-10	
APPR. BY: EG		Checked: MRS	
Sheet No. 25			