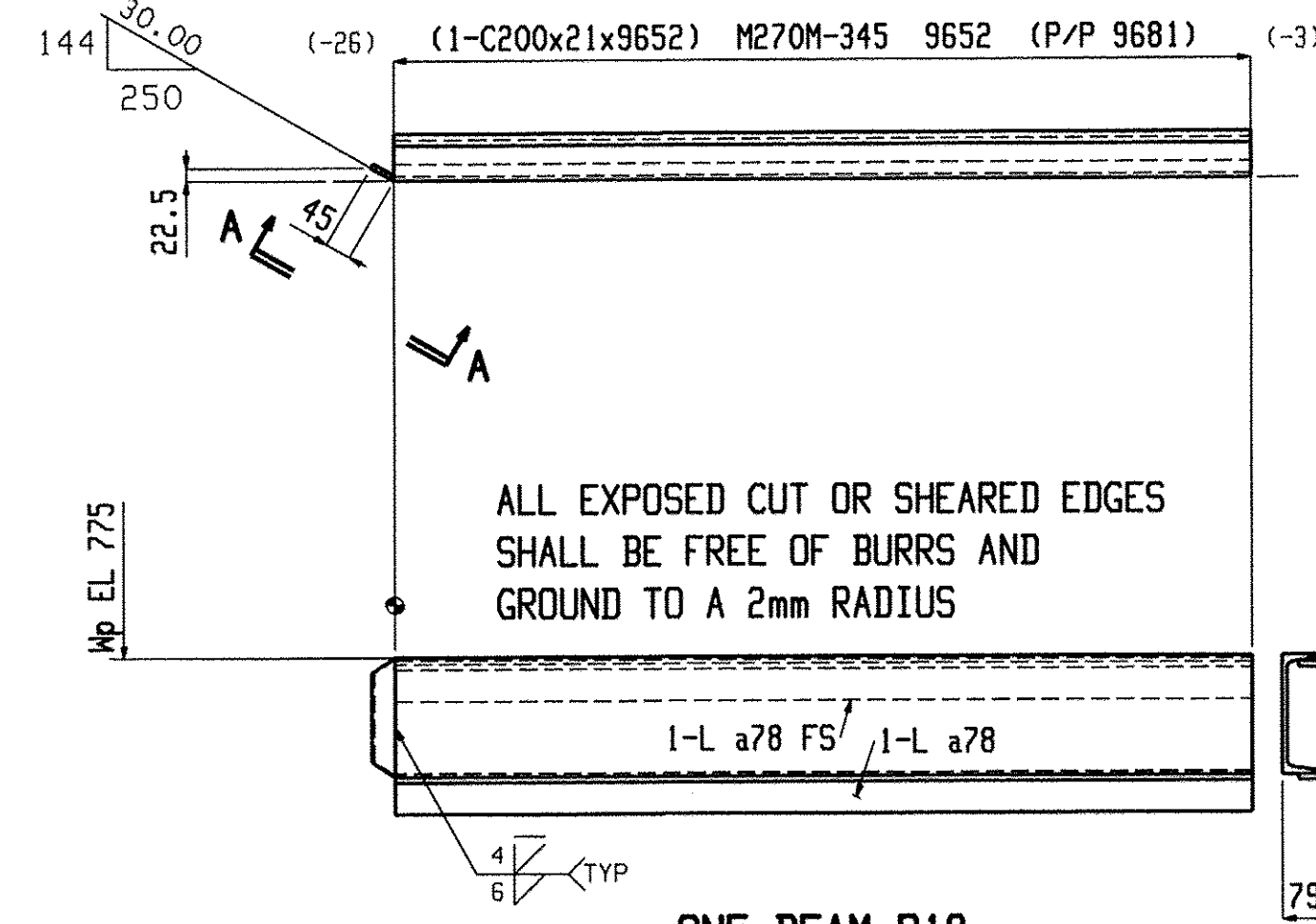
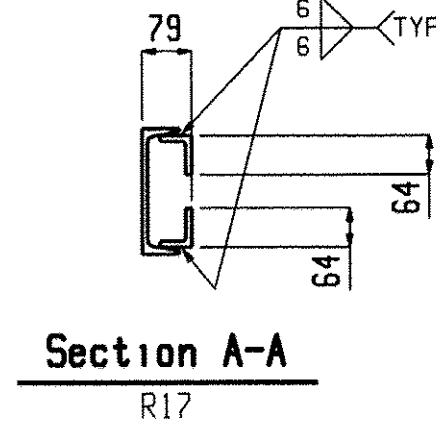


**ONE BEAM R17**

W|203x7.5  
F|59.5x10  
K|24x18

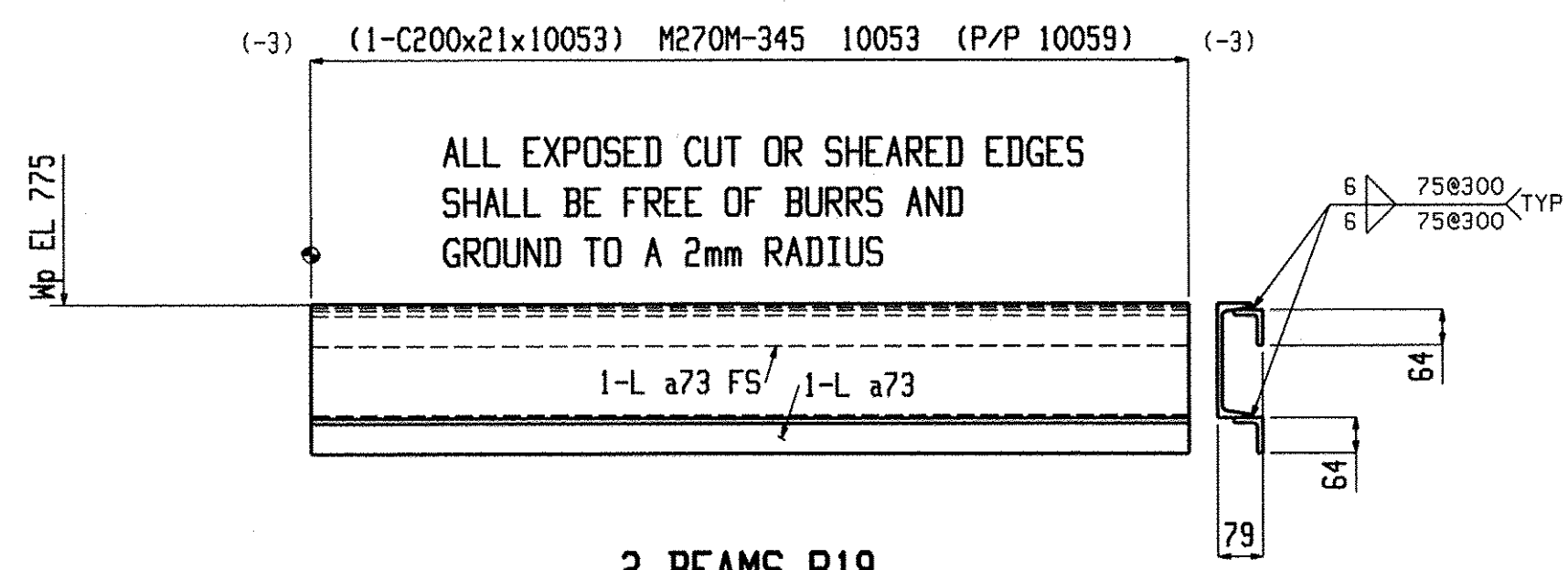
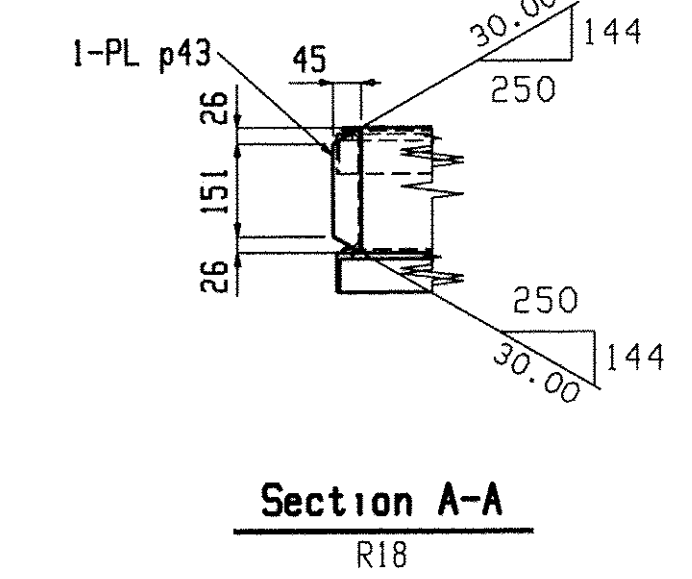
SHOP NOTE:  
TOE DIRECTION FAR SIDE



**ONE BEAM R18**

W|203x7.5  
F|59.5x10  
K|24x18

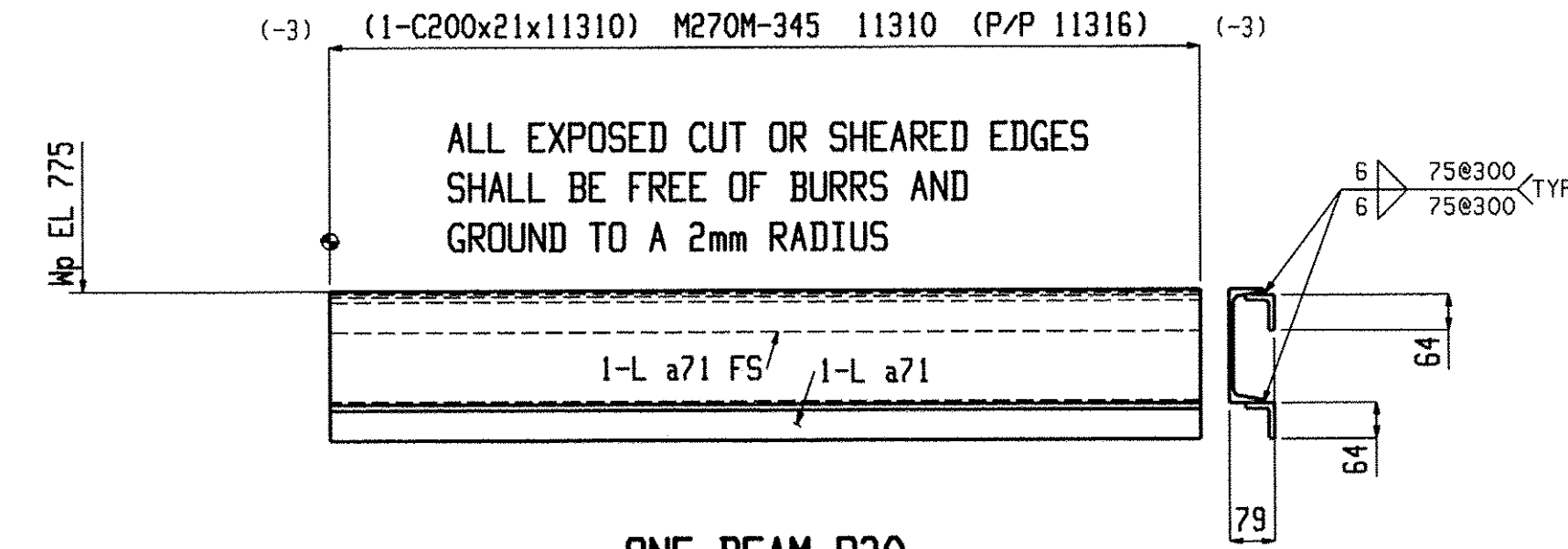
SHOP NOTE:  
TOE DIRECTION FAR SIDE



**2 BEAMS R19**

W|203x7.5  
F|59.5x10  
K|24x18

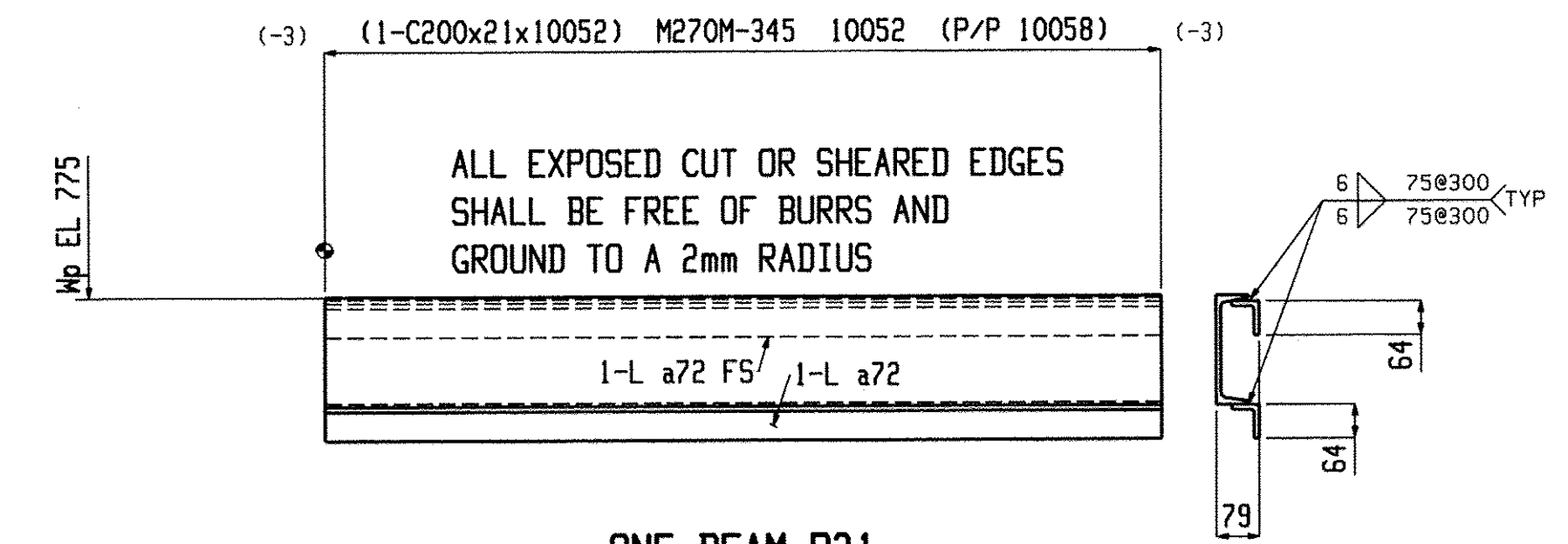
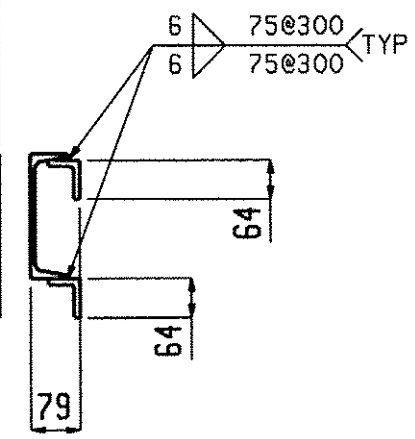
SHOP NOTE:  
TOE DIRECTION FAR SIDE



**ONE BEAM R20**

W|203x7.5  
F|59.5x10  
K|24x18

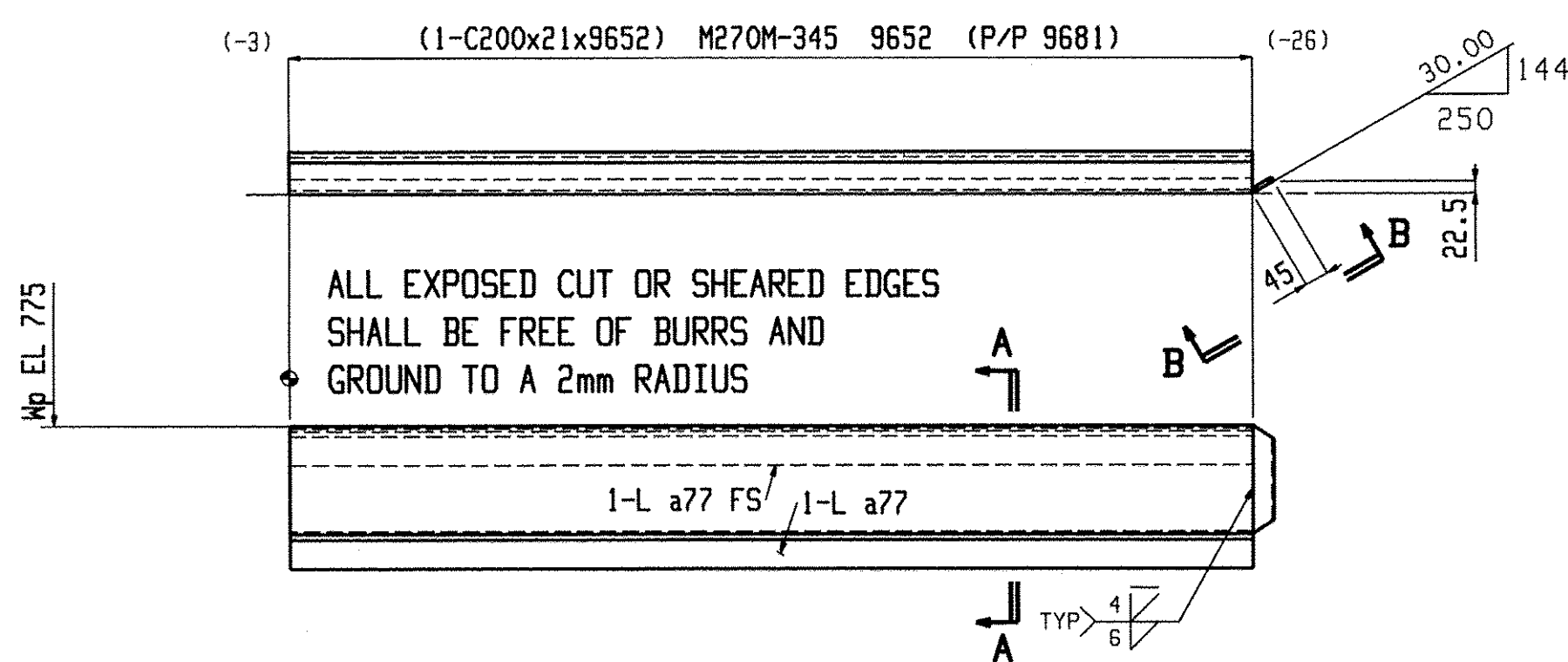
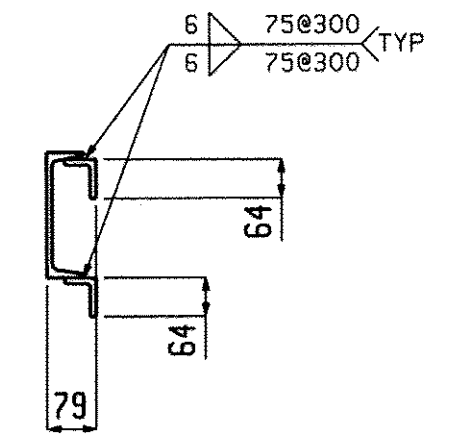
SHOP NOTE:  
TOE DIRECTION FAR SIDE



**ONE BEAM R21**

W|203x7.5  
F|59.5x10  
K|24x18

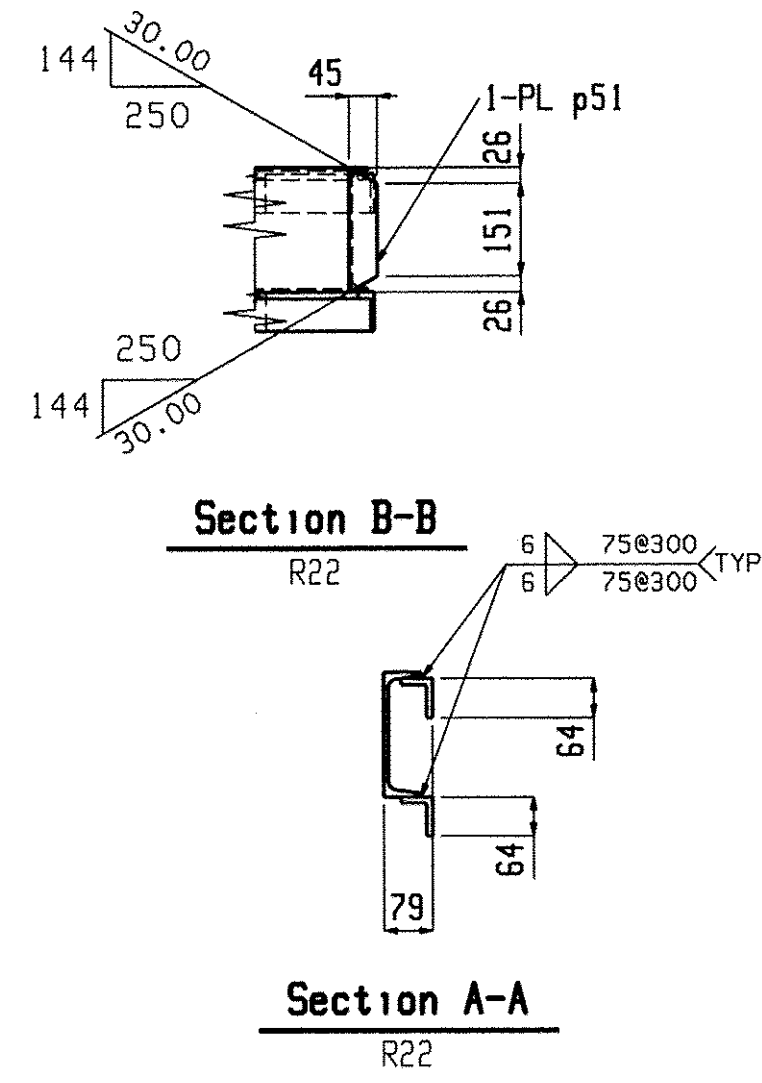
SHOP NOTE:  
TOE DIRECTION FAR SIDE



**ONE BEAM R22**

W|203x7.5  
F|59.5x10  
K|24x18

SHOP NOTE:  
TOE DIRECTION FAR SIDE



BILL OF MATERIAL										BILL OF MATERIAL										BILL OF MATERIAL									
Qty	Piece									Qty	Piece									Qty	Piece								
Tot.	Mark	Description	Length	Seq NO.	Seq Qty	Adv ABM #	Steel Grade	Remarks		Tot.	Mark	Description	Length	Seq NO.	Seq Qty	Adv ABM #	Steel Grade	Remarks		Tot.	Mark	Description	Length	Seq NO.	Seq Qty	Adv ABM #	Steel Grade	Remarks	
ONE R17	BEAM			2	1					ONE R19	BEAM			2	2					ONE R21	BEAM			2	1				
1 R17	C200x21	9780					M270M-345			2 R19	C200x21	10053					M270M-345			1 R21	C200x21	10052					M270M-345		
5 a69	L64x51x9.5	150					M270M-345			4 a73	L64x51x9.5	10053					M270M-345			2 a72	L64x51x9.5	10052					M270M-345		
5 a70	L64x51x9.5	150					M270M-345			ONE R20	BEAM			2	1					ONE R22	BEAM			2	1				
ONE R18	BEAM			2	1					1 R20	C200x21	11310					M270M-345			1 R22	C200x21	9652					M270M-345		
1 R18	C200x21	9652					M270M-345			2 a71	L64x51x9.5	11310					M270M-345			2 a77	L64x51x9.5	9652					M270M-345		
2 a78	L64x51x9.5	9652					M270M-345			1 p51	PL8x45	203					M270M-345			1 p43	PL8x45	203					M270M-345		
1 p43	PL8x45	203					M270M-345																						

RECEIVED  
CHK BY: [Signature]  
APR 01 2010  
RESUBMIT: [Signature]  
APPROVED: [Signature]  
BY: [Signature] DATE: 4/28/10

ITEMS ON THIS SHEET ARE PAY ITEM: 900.640 (UN)

**Casco Bay Steel Structures**  
75 Spring Hill Rd  
Saco, ME, 04072  
207-282-7360

Holes: 21mm UNO  
BOLTS: 19mm DIA. M164M-I GALV UNO  
Steel GR: M270M-GR345 UNO  
Paint: PER SPECS (GREEN) UNO  
Surface Prep: PER SPECS

Project: **DUMMERSTON RAILS**  
DUMMERSTON, VT

Date: 9-9-09  
Job No. [Blank]  
DWN. BY: EG  
Checked: MRS  
Sheet No. 23

Mar 18 2010 09:45:14 PM