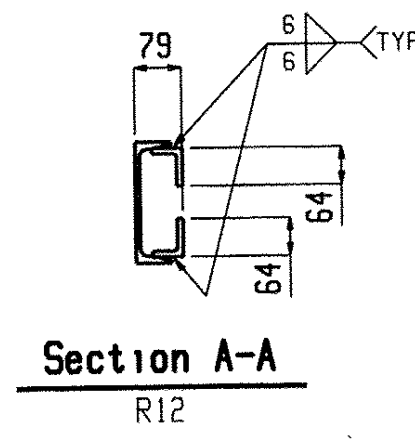


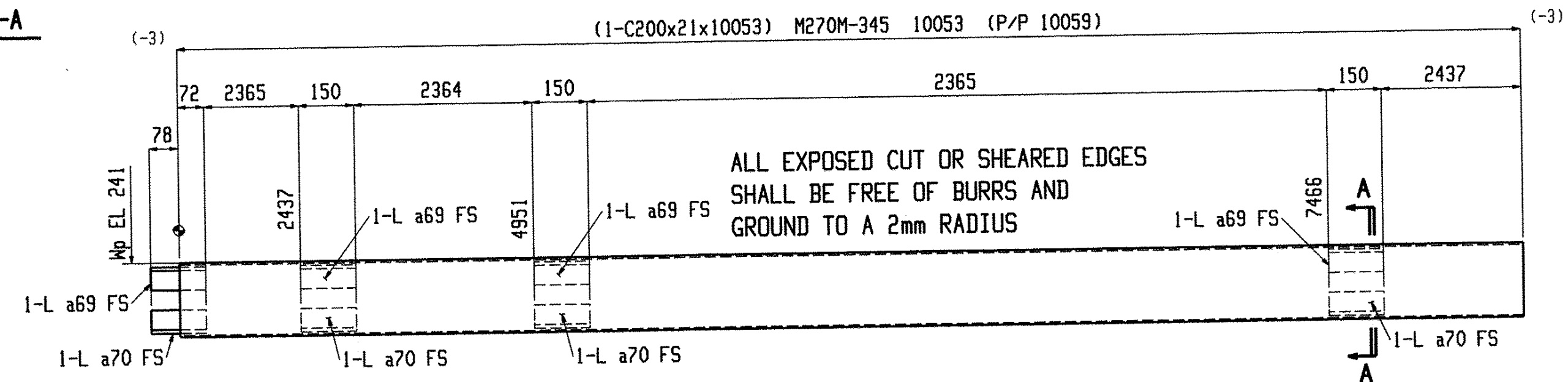
ONE BEAM R12

W 203x7.5
F 59.5x10
K 24x18

SHOP NOTE:
TOE DIRECTION FAR SIDE



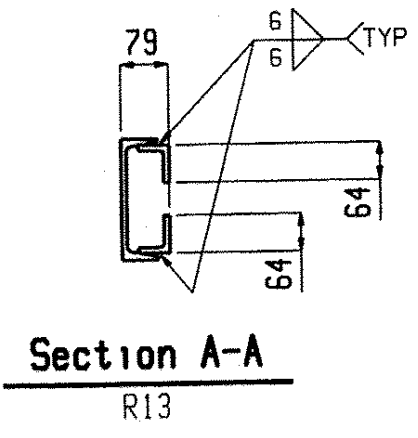
Section A-A
R12



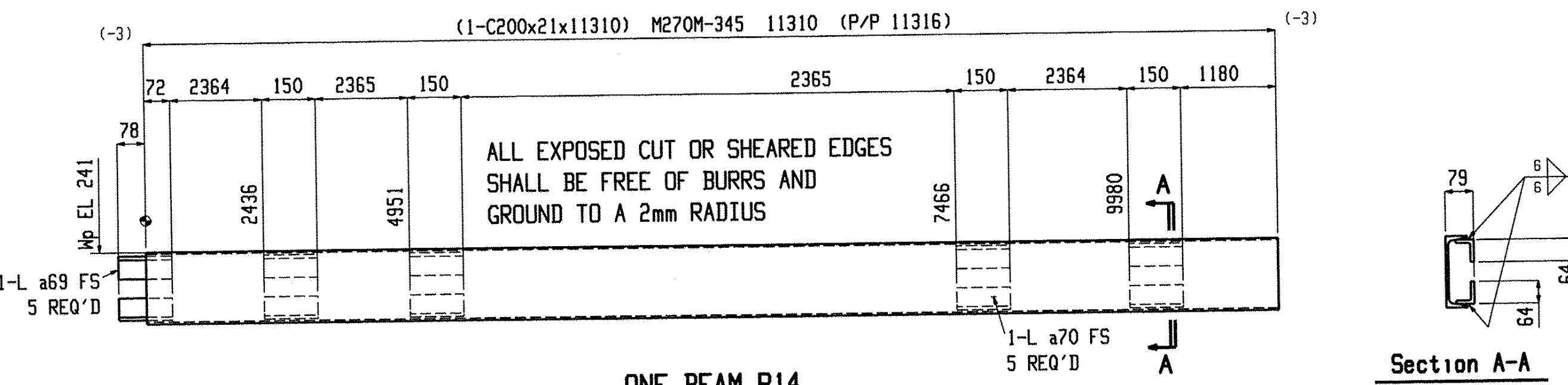
ONE BEAM R13

W 203x7.5
F 59.5x10
K 24x18

SHOP NOTE:
TOE DIRECTION FAR SIDE



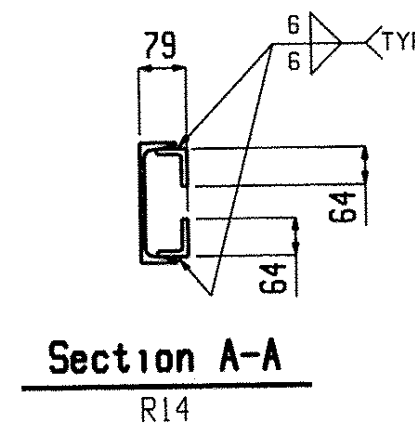
Section A-A
R13



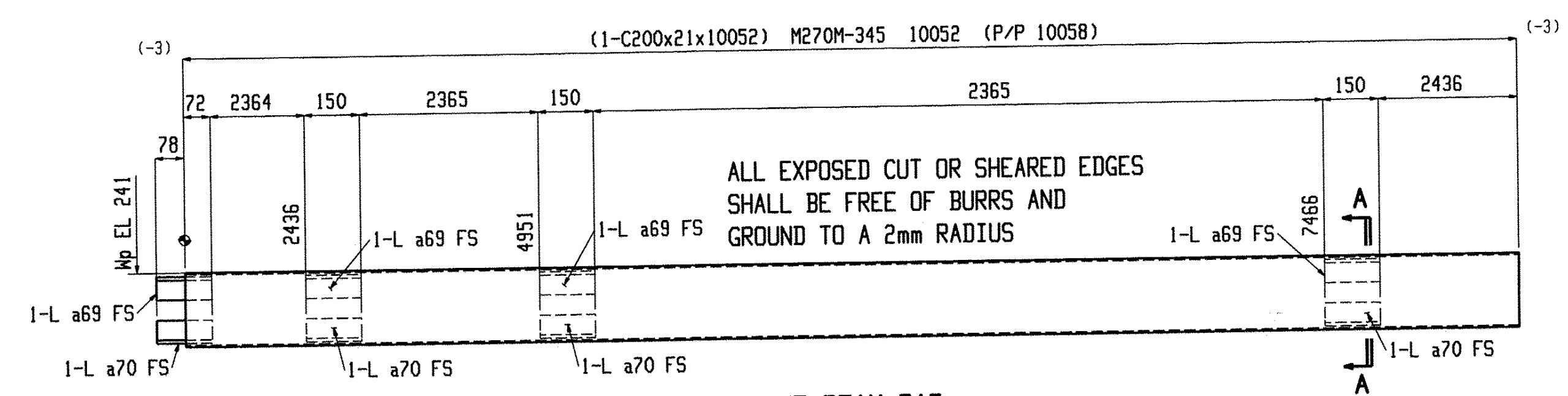
ONE BEAM R14

W 203x7.5
F 59.5x10
K 24x18

SHOP NOTE:
TOE DIRECTION FAR SIDE



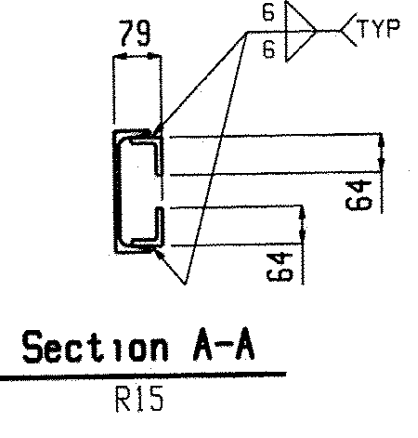
Section A-A
R14



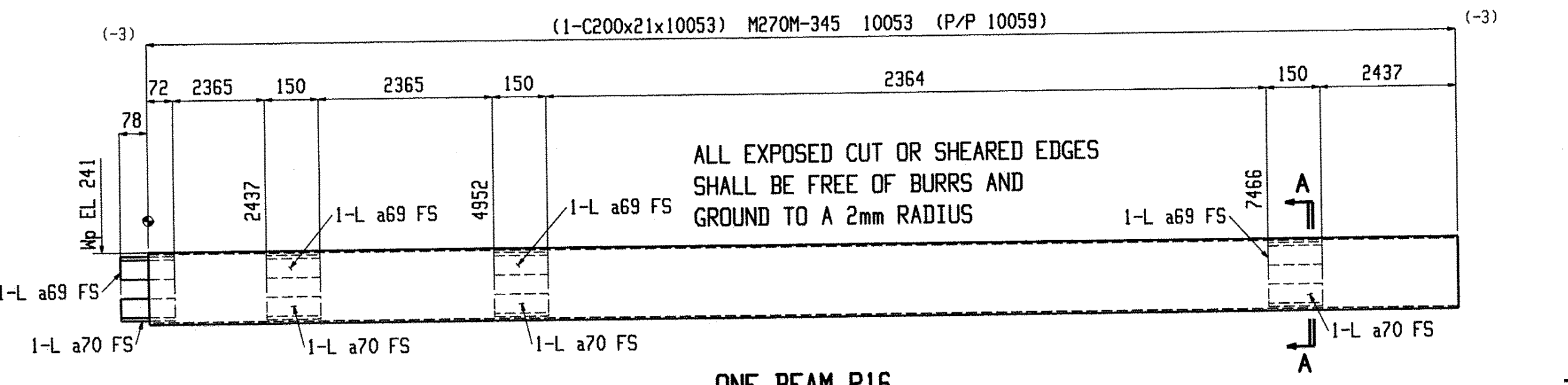
ONE BEAM R15

W 203x7.5
F 59.5x10
K 24x18

SHOP NOTE:
TOE DIRECTION FAR SIDE



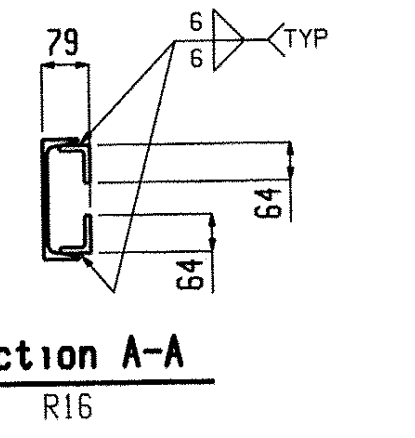
Section A-A
R15



ONE BEAM R16

W 203x7.5
F 59.5x10
K 24x18

SHOP NOTE:
TOE DIRECTION FAR SIDE



Section A-A
R16

BILL OF MATERIAL										BILL OF MATERIAL										BILL OF MATERIAL									
Qty	Piece			Seq	Seq	Adv	Steel		Remarks	Qty	Piece			Seq	Seq	Adv	Steel		Remarks	Qty	Piece			Seq	Seq	Adv	Steel		Remarks
Tot.	Mark	Description	Length	NO.	Qty	ABH #	Grade			Tot.	Mark	Description	Length	NO.	Qty	ABH #	Grade			Tot.	Mark	Description	Length	NO.	Qty	ABH #	Grade		
ONE	R12	BEAM		2	1					ONE	R14	BEAM		2	1					4	a70	L64x51x9.5	150				M270M-345		
1	R12	C200x21	9780				M270M-345			1	R14	C200x21	11310				M270M-345			1	R16	C200x21	10053				M270M-345		
4	a69	L64x51x9.5	150				M270M-345			5	a69	L64x51x9.5	150				M270M-345			4	a69	L64x51x9.5	150				M270M-345		
4	a70	L64x51x9.5	150				M270M-345			5	a70	L64x51x9.5	150				M270M-345			4	a70	L64x51x9.5	150				M270M-345		
ONE	R13	BEAM		2	1					ONE	R15	BEAM		2	1														
1	R13	C200x21	10053				M270M-345			1	R15	C200x21	10052				M270M-345												
4	a69	L64x51x9.5	150				M270M-345			4	a69	L64x51x9.5	150				M270M-345												
4	a70	L64x51x9.5	150				M270M-345			4	a70	L64x51x9.5	150				M270M-345												

RECEIVED
CHK BY: MEM OK'D BY: MEM
APR 8 2010
RESUBMIT APPROVED
BY: MEM DATE: 4/23/10

ITEMS ON THIS SHEET ARE PAY ITEM: 900.640 (UN)

Casco Bay Steel Structures 75 Spring Hill Rd Saco, ME, 04072 207-282-7360	Holes: 2mm UND BOLTS: 19mm DIA. M164M-I GALV UND Steel GR: M270M-GR345 UND Paint: PER SPECS (GREEN) UND Surface Prep: PER SPECS	
	Project: DUMMERSTON RAILS DUMMERSTON, VT	Date: 9-9-09 Job No.: DN. BY: EG Checked: MRS Sheet No.: 22
	Rev. No.: Date:	APPR. 3-17-10

MAY 18 2010 09:42:07 PM