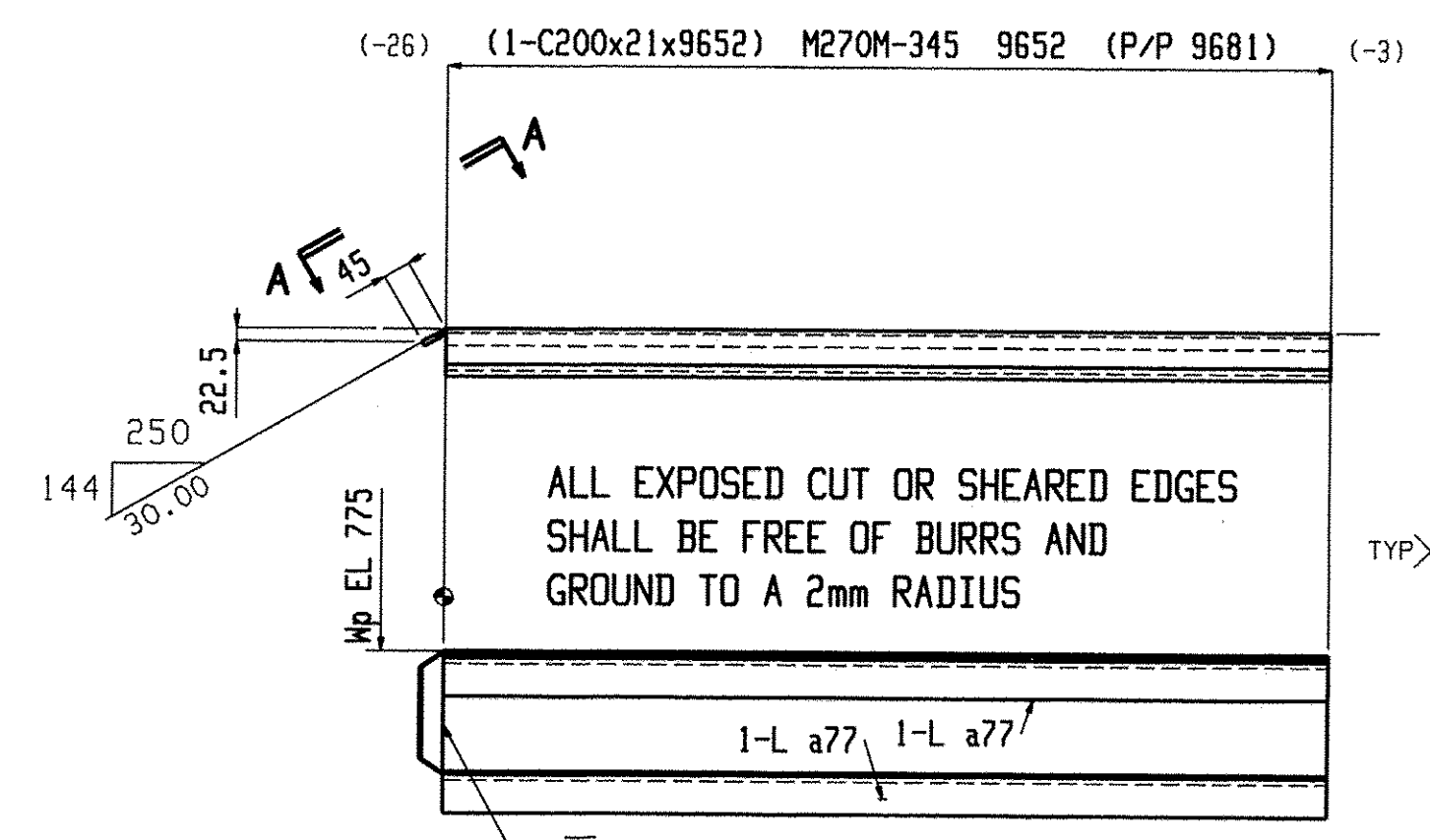
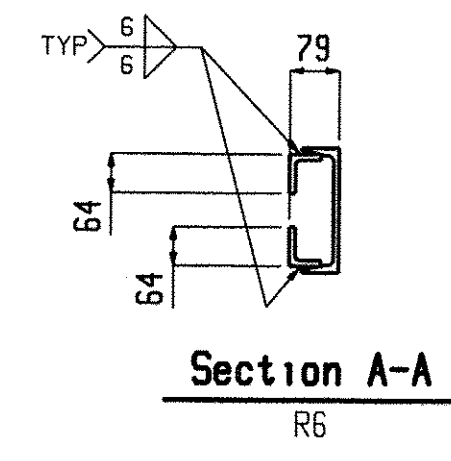


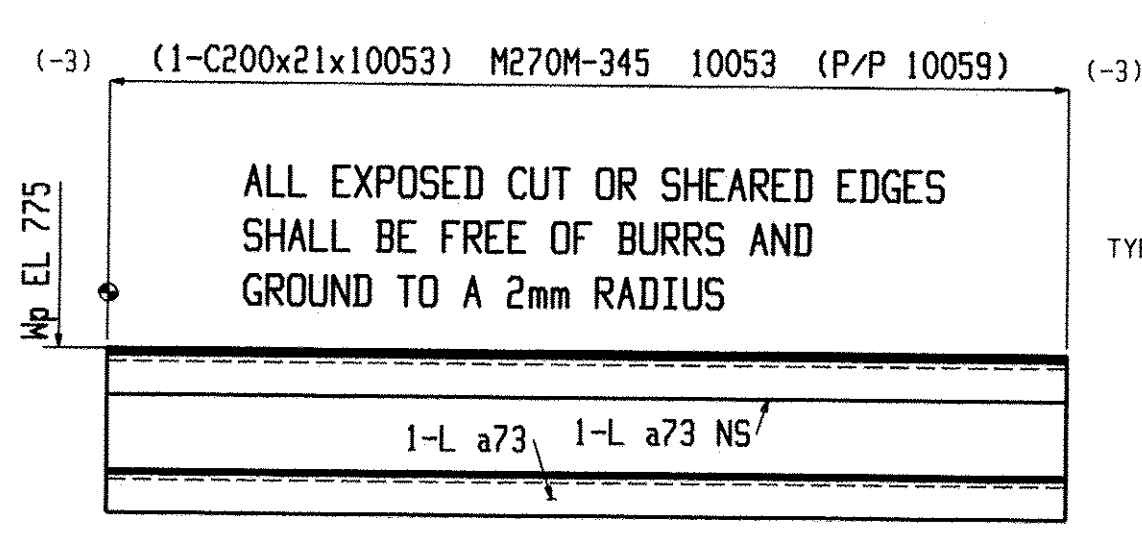
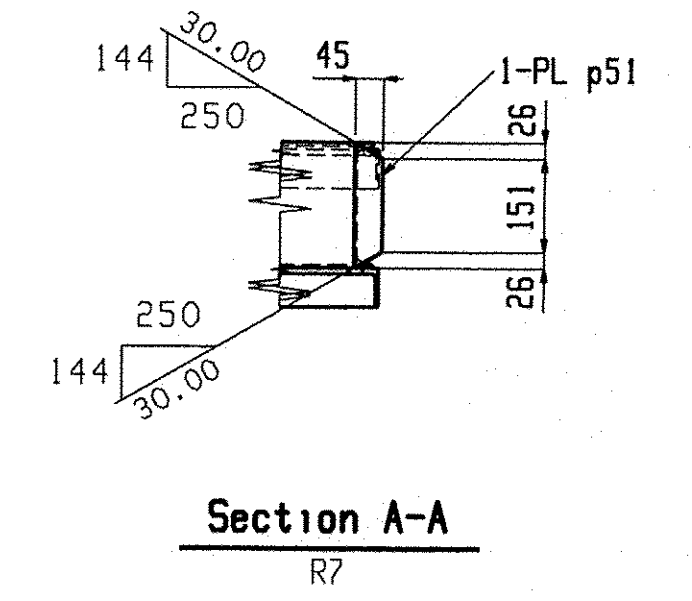
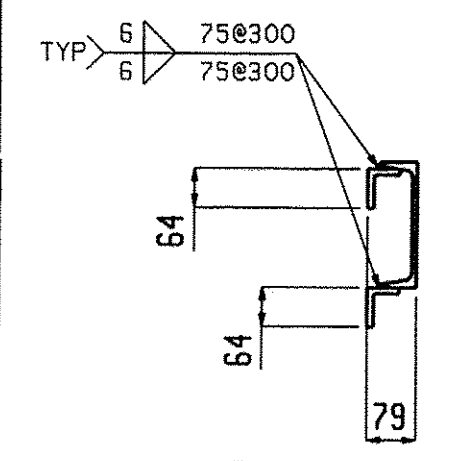
ONE BEAM R6
 W 203x7.5
 F 59.5x10
 K 24x18

SHOP NOTE:
 TOE DIRECTION NEAR SIDE



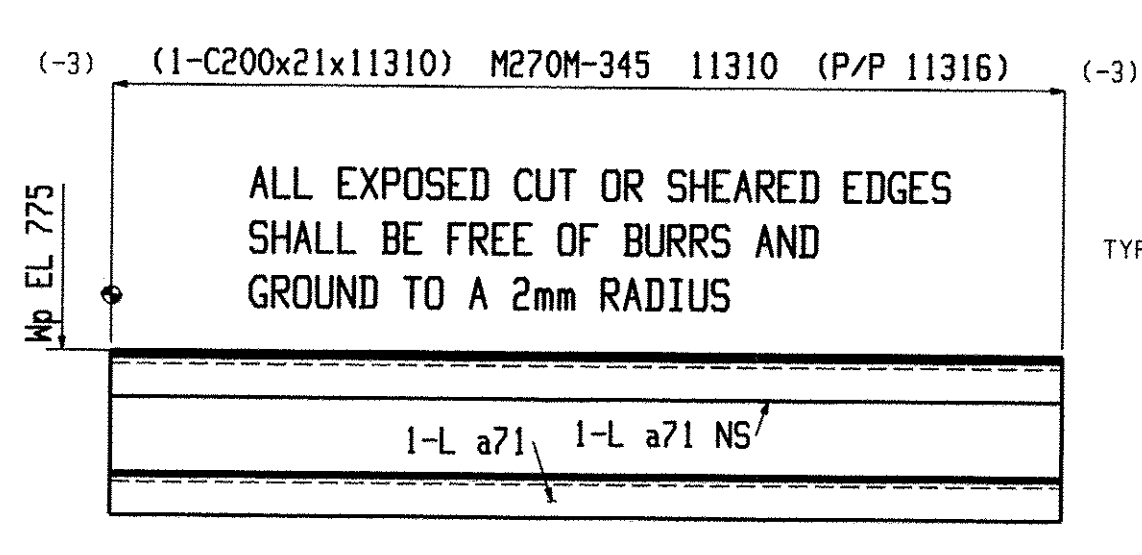
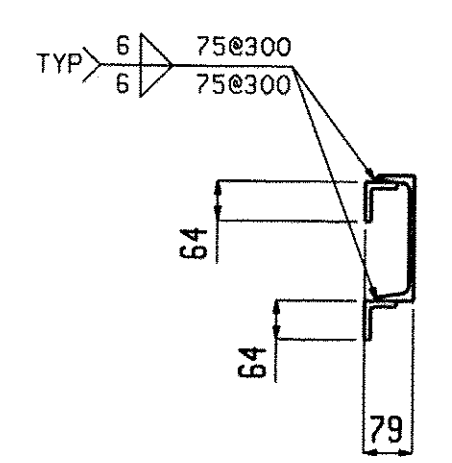
ONE BEAM R7
 W 203x7.5
 F 59.5x10
 K 24x18

SHOP NOTE:
 TOE DIRECTION NEAR SIDE



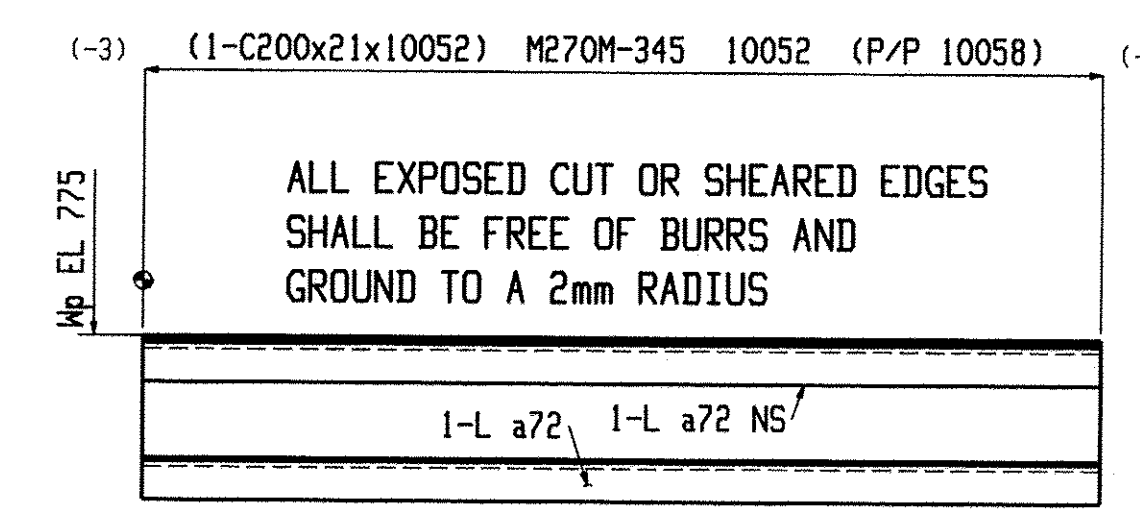
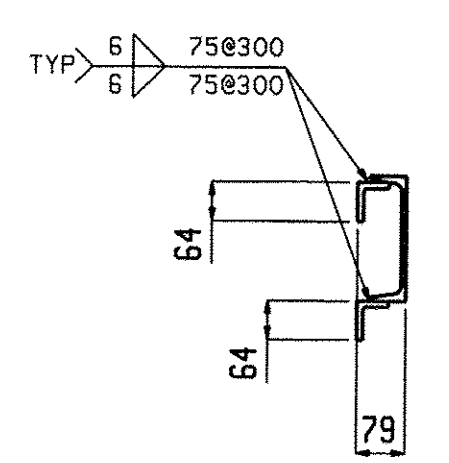
2 BEAMS R8
 W 203x7.5
 F 59.5x10
 K 24x18

SHOP NOTE:
 TOE DIRECTION NEAR SIDE



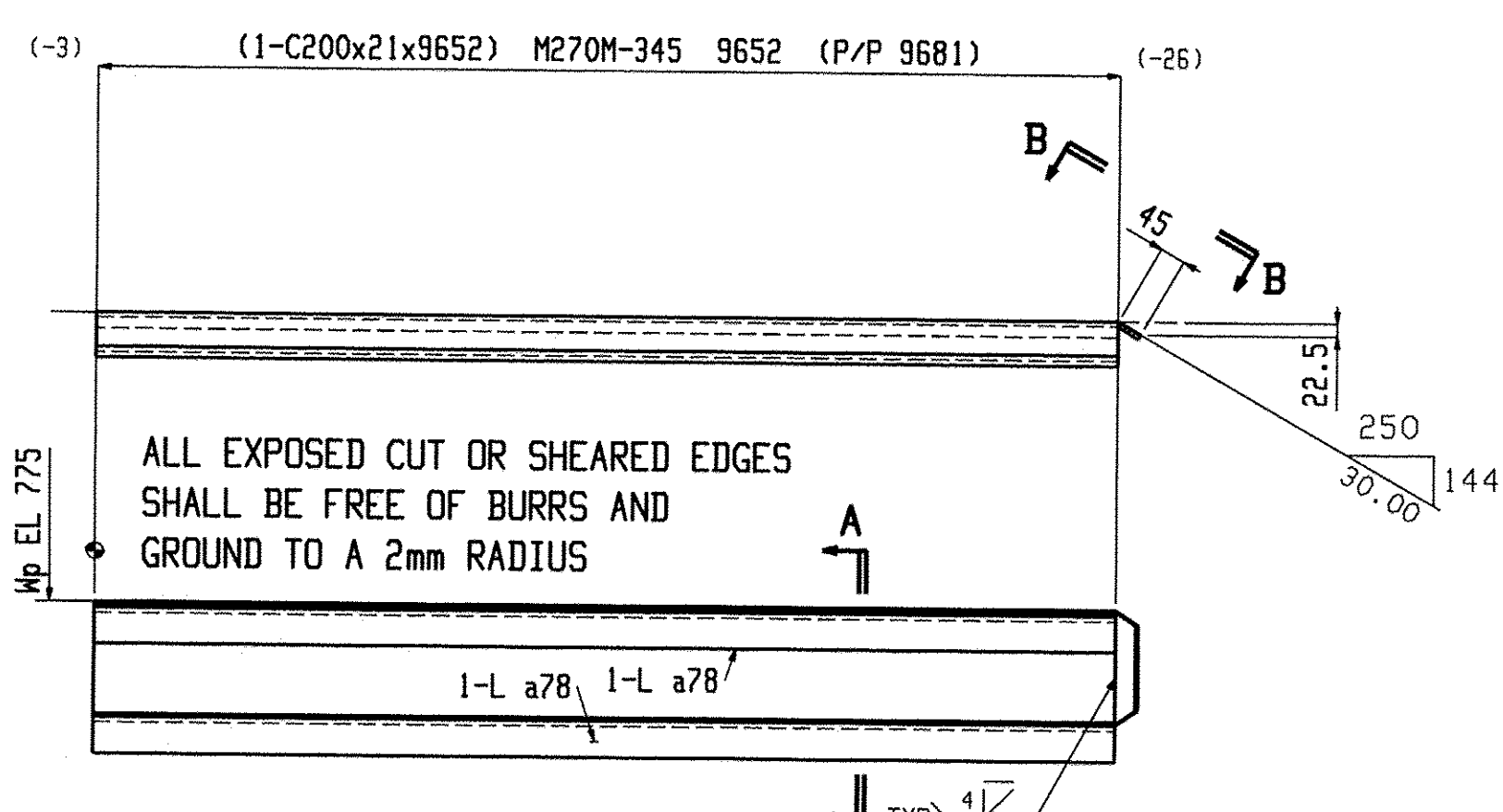
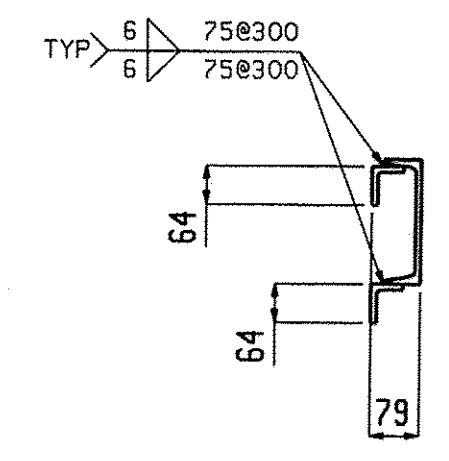
ONE BEAM R9
 W 203x7.5
 F 59.5x10
 K 24x18

SHOP NOTE:
 TOE DIRECTION NEAR SIDE



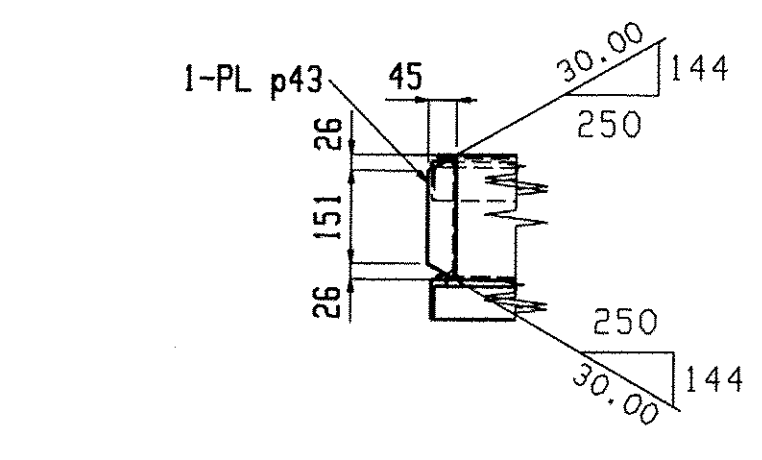
ONE BEAM R10
 W 203x7.5
 F 59.5x10
 K 24x18

SHOP NOTE:
 TOE DIRECTION NEAR SIDE

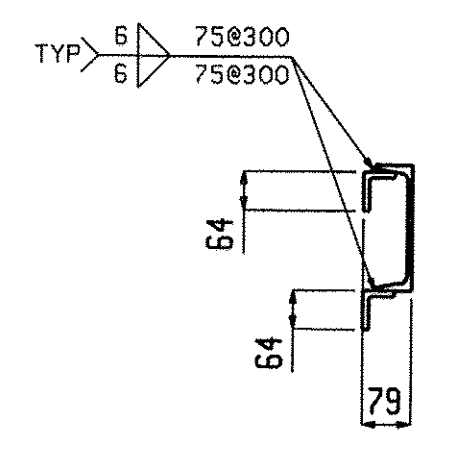


ONE BEAM R11
 W 203x7.5
 F 59.5x10
 K 24x18

SHOP NOTE:
 TOE DIRECTION NEAR SIDE



Section B-B
 R11



Section A-A
 R11

BILL OF MATERIAL

BILL OF MATERIAL

BILL OF MATERIAL

Qty	Piece	Description	Length	Seq	Seq	Adv	Steel	Remarks	Qty	Piece	Description	Length	Seq	Seq	Adv	Steel	Remarks	Qty	Piece	Description	Length	Seq	Seq	Adv	Steel	Remarks
ONE	R6	BEAM		2	1				ONE	R7	BEAM		2	1				ONE	R10	BEAM		2	1			
1	R6	C200x21	9780				M270M-345		2	R8	BEAM		2	2				1	R10	C200x21	10052					M270M-345
4	a69	L64x51x9.5	150				M270M-345		2	R8	C200x21	10053						2	a72	L64x51x9.5	10052					M270M-345
4	a70	L64x51x9.5	150				M270M-345		4	a73	L64x51x9.5	10053						ONE	R11	BEAM		2	1			
									ONE	R9	BEAM		2	1				1	R11	C200x21	9652					M270M-345
									2	a71	L64x51x9.5	11310						2	a78	L64x51x9.5	9652					M270M-345
									1	a77	L64x51x9.5	9652						1	a43	PL8x45	203					M270M-345

RECEIVED
 OCT BY _____ OK'D BY *MRS*
 APR 01 2010
 RESUBMIT _____ APPROVED _____
 BY _____ DATE *4/28/10*

ITEMS ON THIS SHEET ARE PAY ITEM: 900.640 (UN)

Casco Bay Steel Structures
 75 Spring Hill Rd
 Saco, ME, 04072
 207-282-7360

Holes: 21mm UNF
BOLTS: 19mm DIA. M164M-I GALV UNF
Steel GR: M270M-GR345 UNF
Paint: PER SPECS (GREEN) UNF
Surface Prep: PER SPECS

Project: **DUMMERSTON RAILS**
 DUMMERSTON, VT

Date: 9-9-09
 Job No. _____
 DWN. BY: EG
 Checked: MRS
 Sheet No. **21**

Nov 18 2010 08:45:01 PM