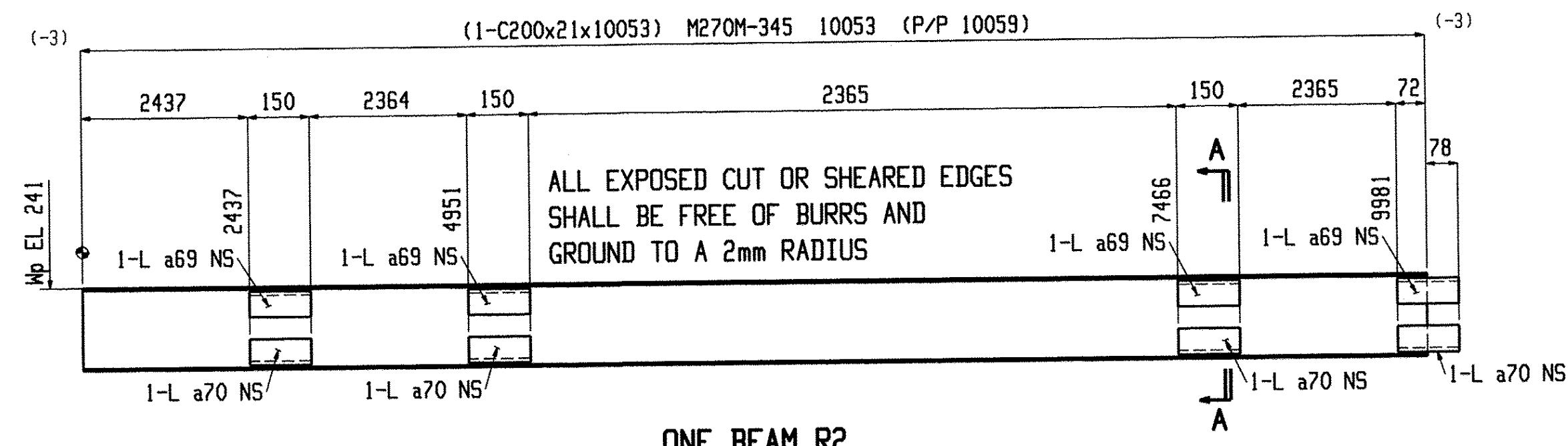
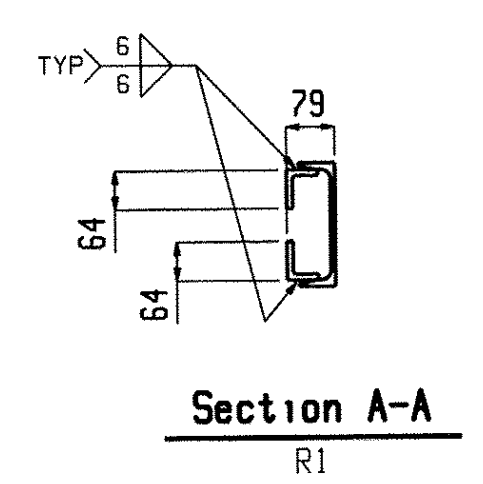


**ONE BEAM R1**

W|203x7.5  
F|59.5x10  
K|24x18

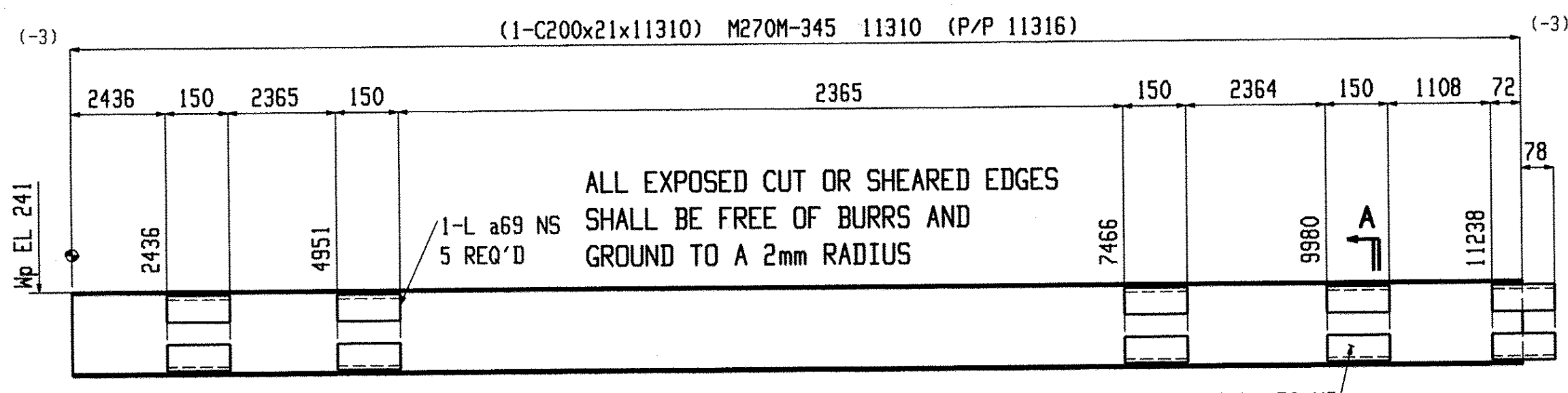
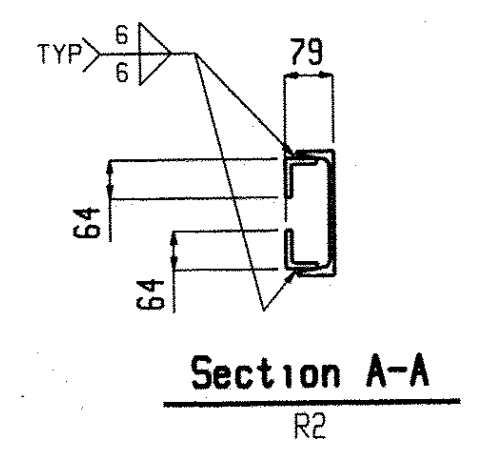
SHOP NOTE:  
TOE DIRECTION NEAR SIDE



**ONE BEAM R2**

W|203x7.5  
F|59.5x10  
K|24x18

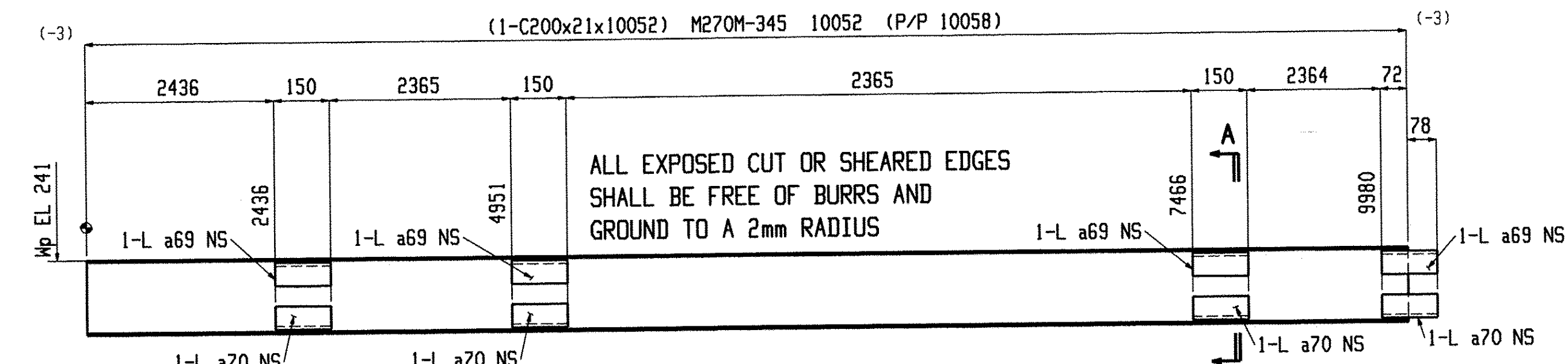
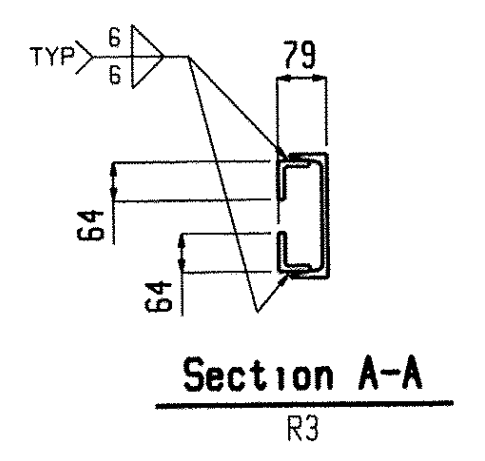
SHOP NOTE:  
TOE DIRECTION NEAR SIDE



**ONE BEAM R3**

W|203x7.5  
F|59.5x10  
K|24x18

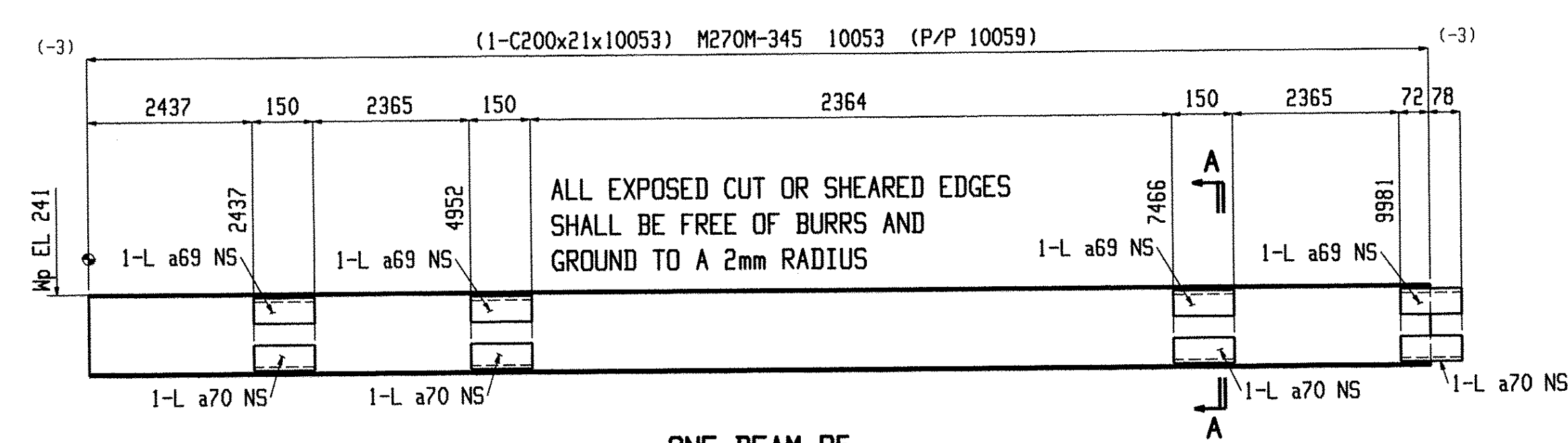
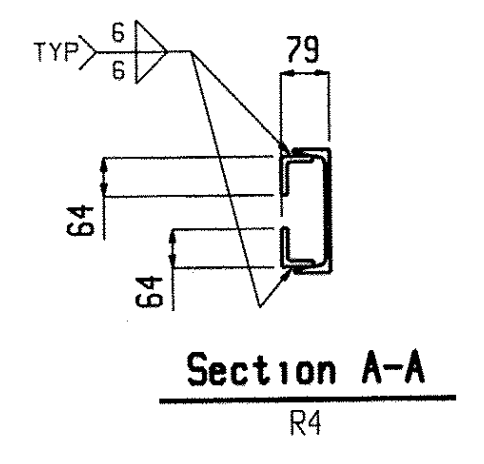
SHOP NOTE:  
TOE DIRECTION NEAR SIDE



**ONE BEAM R4**

W|203x7.5  
F|59.5x10  
K|24x18

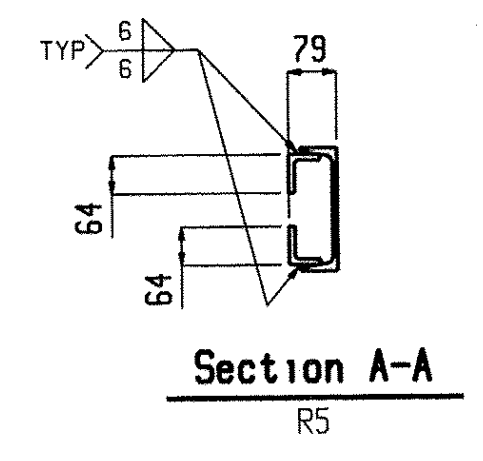
SHOP NOTE:  
TOE DIRECTION NEAR SIDE



**ONE BEAM R5**

W|203x7.5  
F|59.5x10  
K|24x18

SHOP NOTE:  
TOE DIRECTION NEAR SIDE



BILL OF MATERIAL										BILL OF MATERIAL										BILL OF MATERIAL									
Qty	Piece									Qty	Piece									Qty	Piece								
Tot.	Mark	Description	Length	Seq NO.	Seq Qty	Adv ABM #	Steel Grade	Remarks		Tot.	Mark	Description	Length	Seq NO.	Seq Qty	Adv ABM #	Steel Grade	Remarks		Tot.	Mark	Description	Length	Seq NO.	Seq Qty	Adv ABM #	Steel Grade	Remarks	
ONE R1	BEAM			2	1					ONE R3	BEAM			2	1					ONE R5	BEAM			2	1				
1 R1	C200x21		9780				M270M-345			1 R3	C200x21		11310				M270M-345			1 R5	C200x21		10053				M270M-345		
5 a69	L64x51x9.5		150				M270M-345			5 a69	L64x51x9.5		150				M270M-345			4 a69	L64x51x9.5		150				M270M-345		
5 a70	L64x51x9.5		150				M270M-345			5 a70	L64x51x9.5		150				M270M-345			4 a70	L64x51x9.5		150				M270M-345		
ONE R2	BEAM			2	1					ONE R4	BEAM			2	1														
1 R2	C200x21		10053				M270M-345			1 R4	C200x21		10052				M270M-345												
4 a69	L64x51x9.5		150				M270M-345			4 a69	L64x51x9.5		150				M270M-345												
4 a70	L64x51x9.5		150				M270M-345			4 a70	L64x51x9.5		150				M270M-345												

RECEIVED  
CK'D BY: [Signature]  
APR 0 1 2010  
RESUBMIT APPROVED [Signature]  
BY DATE: [Signature]

ITEMS ON THIS SHEET ARE PAY ITEM: 900.640 (UN)

**Casco Bay Steel Structures**  
75 Spring Hill Rd  
Saco, ME, 04072  
207-282-7360

Holes: 21mm UNF  
BOLTS: 19mm DIA. M164M-I GALV UNF  
Steel GR: M270M-GR345 UNF  
APPR. 3-17-10  
Date: 9-9-09  
Job No.  
DUMMERSTON RAILS  
DUMMERSTON, VT  
DWN. BY: EG  
Checked: MRS  
Sheet No. 20

Rev 18 2010 03:41:54 PM