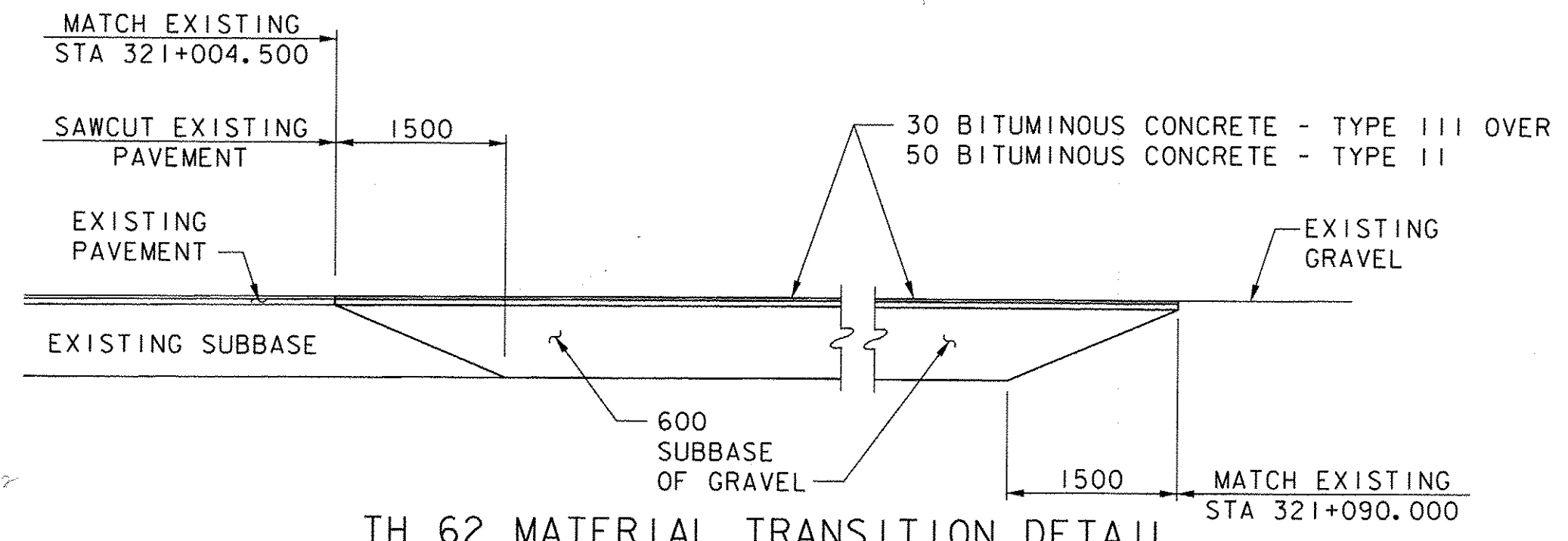
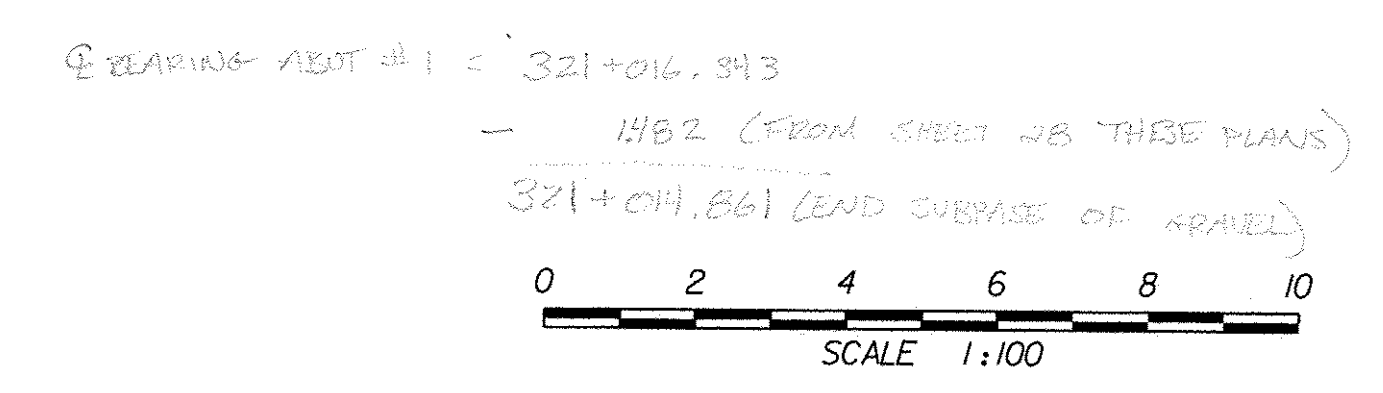


BEGIN TH 62 APPROACH  
STA 321+004.500  
MATCH EXISTING



TH 62 MATERIAL TRANSITION DETAIL  
NOT TO SCALE



TH 62

ROADWAY CROSS SECTION FROM STA 321+005 TO STA 321+020
PROJECT NAME DUMMERSTON
PROJECT NO. BHO 1442 (28)
SURVEYED BY VAOT 8/98
SHEET 39 OF 49

VANASSE HANGEN BRUSTLIN, INC.