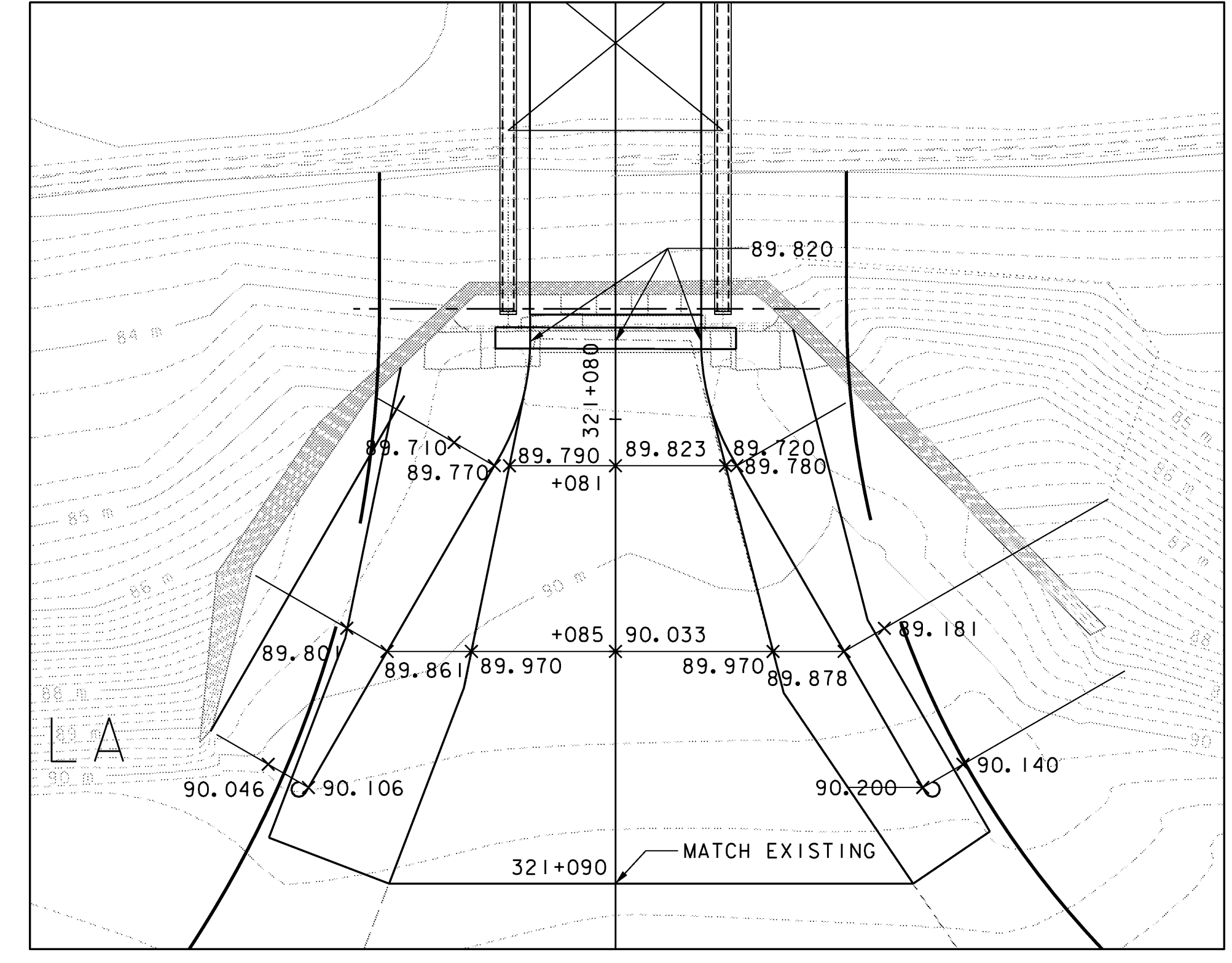
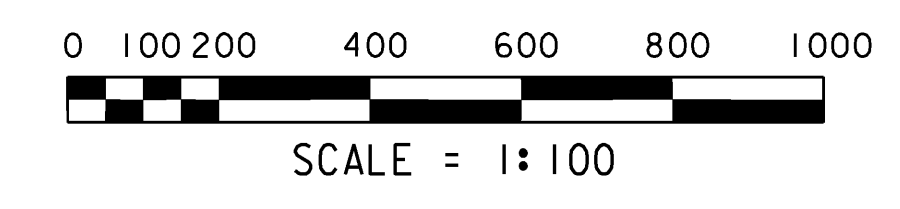


VT 30/TH 62 INTERSECTION GRADING PLAN
SCALE: 1:100



END BRIDGE/TH 62 GRADING PLAN
SCALE: 1:100



**STATE OF VERMONT
AGENCY OF TRANSPORTATION**

Town Of	DUMMERSTON	Bridge No.	37
Highway No.	TH 62	Log Sta.	
		Surv. Sta.	
TH 62 OVER WEST RIVER			
ROADWAY GRADING PLAN			
Designed By	C. L. CILLEY	Drawn By	C. L. CILLEY
Checked By	S. M. HODGDON	Bridge Design Supervisor	S. M. HODGDON
	Date 4/09	Date	4/09
PROJECT	DUMMERSTON	PROJECT NO.	BHO 1442 (28)
I.G.C. Info.		Bridge Sheet No.	ZJ080GR1
		Sheet	33 of 49

VANASSE HANGEN BRUSTLIN, INC.