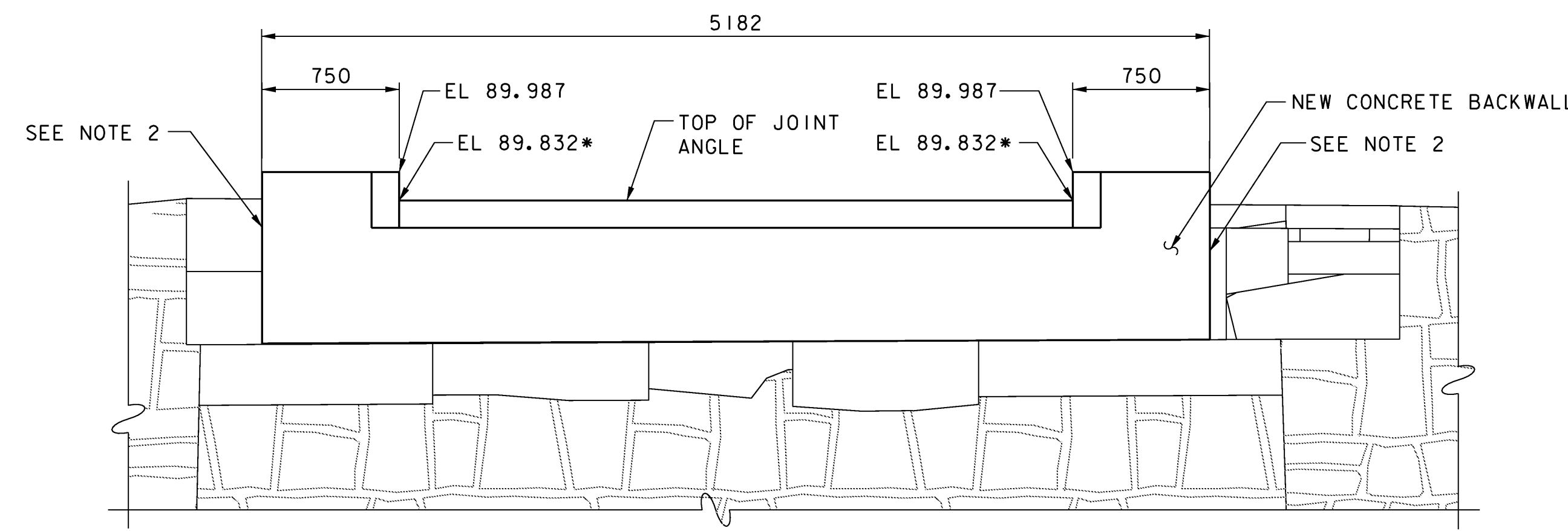
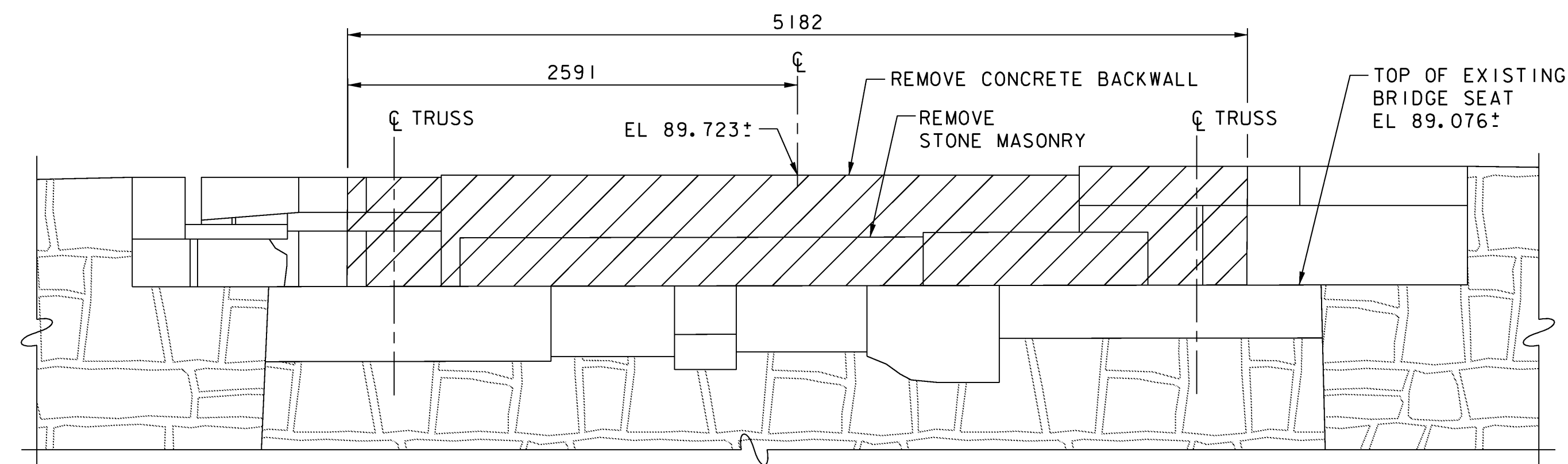


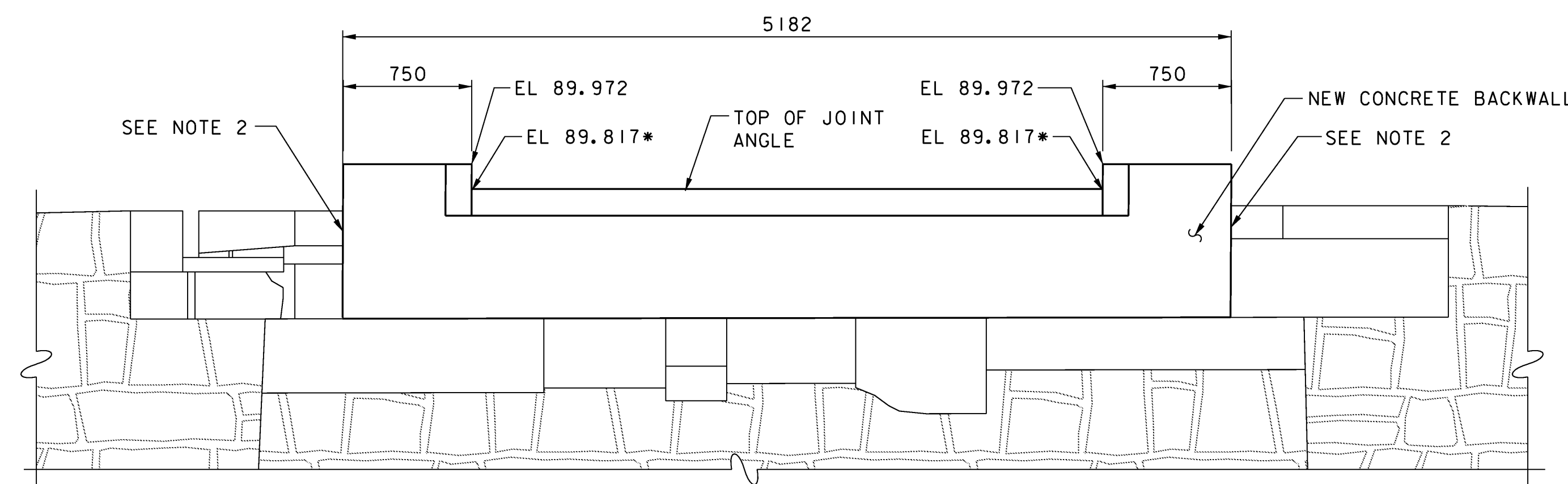
**EXISTING ABUTMENT 1 ELEVATION**  
SCALE: 1:25



**PROPOSED ABUTMENT 1 ELEVATION**  
SCALE: 1:25

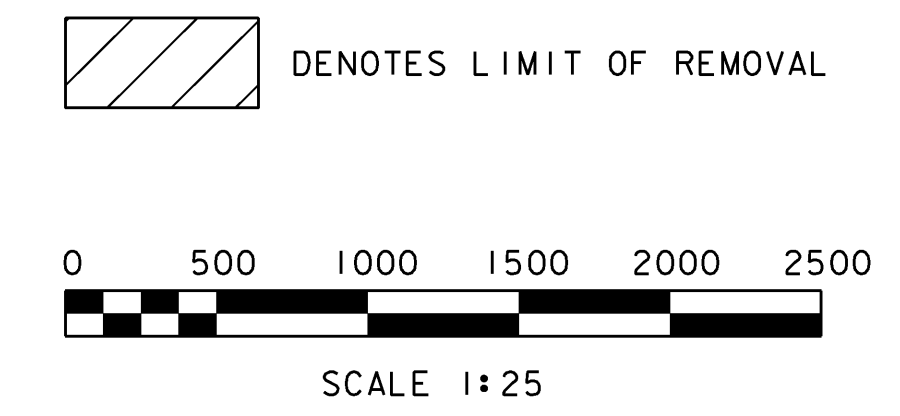


**EXISTING ABUTMENT 2 ELEVATION**  
SCALE: 1:25



**PROPOSED ABUTMENT 2 ELEVATION**  
SCALE: 1:25

- NOTES:**
- ELEVATIONS ARE GIVEN AT FACE OF BACKWALL. ELEVATIONS MARKED \* ARE AT TOP OF JOINT ANGLE, WHICH IS 3 mm LOWER THAN TOP OF BACKWALL ELEVATION.
  - SHAPE AND RESET EXISTING STONE MASONRY IN BACKWALL TO FORM A VERTICAL JOINT FOR THE NEW BACKWALL CONCRETE TO BE CAST AGAINST. ALL COSTS FOR THIS WORK SHALL BE INCLUDED IN ITEM 620.20, DRY MASONRY.
  - SEE SHEET 25 FOR DECK END JOINT DETAILS.



**VANASSE HANGEN BRUSTLIN, INC.**

<b>STATE OF VERMONT AGENCY OF TRANSPORTATION</b>	
Town Of	DUMMERSTON
Highway No.	TH 62
Bridge No.	37
Log Sta.	
Surv. Sta.	
TH 62 OVER WEST RIVER	
<b>ABUTMENT ELEVATIONS</b>	
Designed By	T. S. BRYANT
Checked By	S. M. HODGDON
Date	4/09
Drawn By	B. J. MASSE
Bridge Design Supervisor	S. M. HODGDON
Date	4/09
PROJECT	DUMMERSTON
PROJECT NO.	BHO 1442 (28)
I.G.C. Info.	
Bridge Sheet No.	ZJ080MA5
Sheet	30 of 49