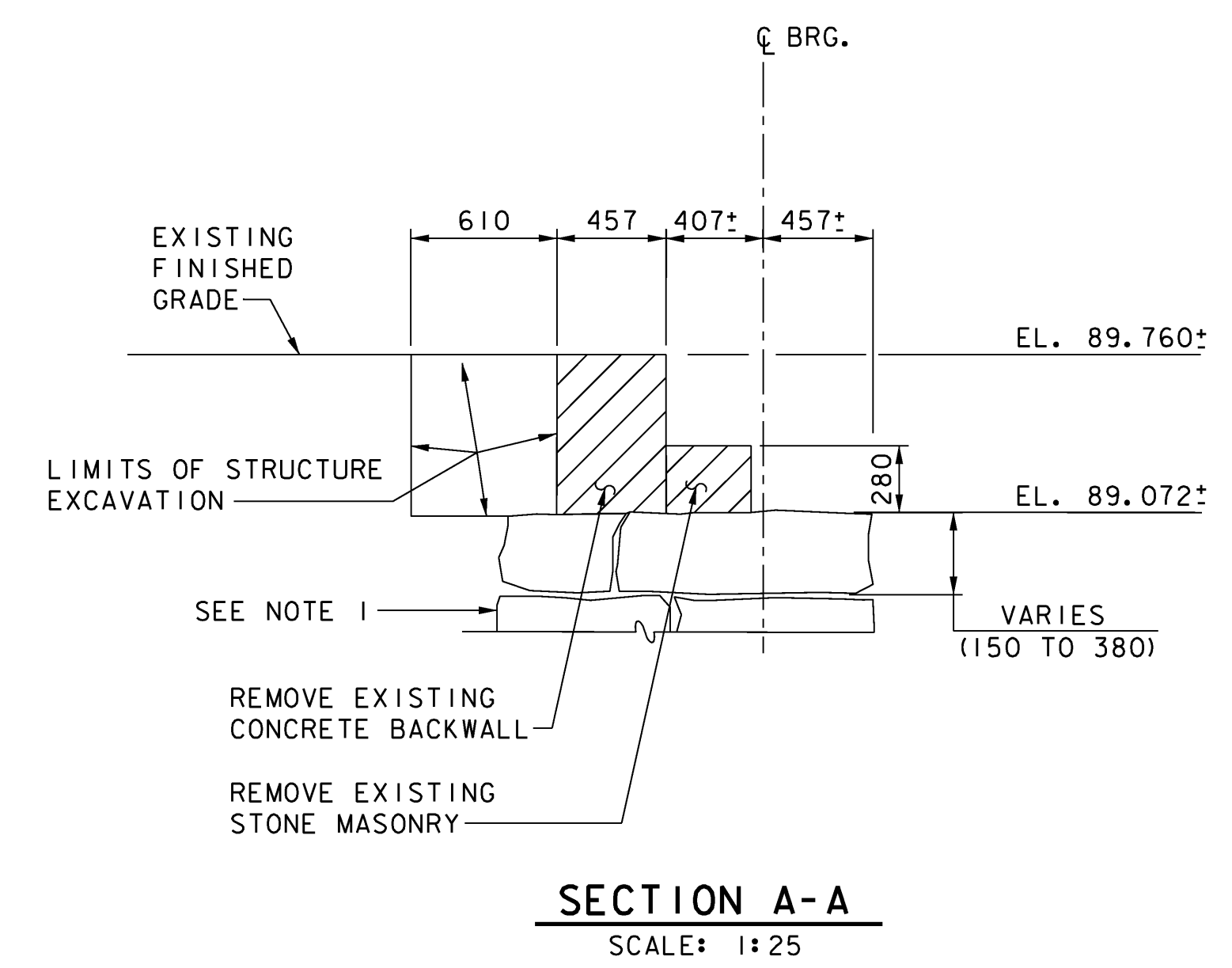
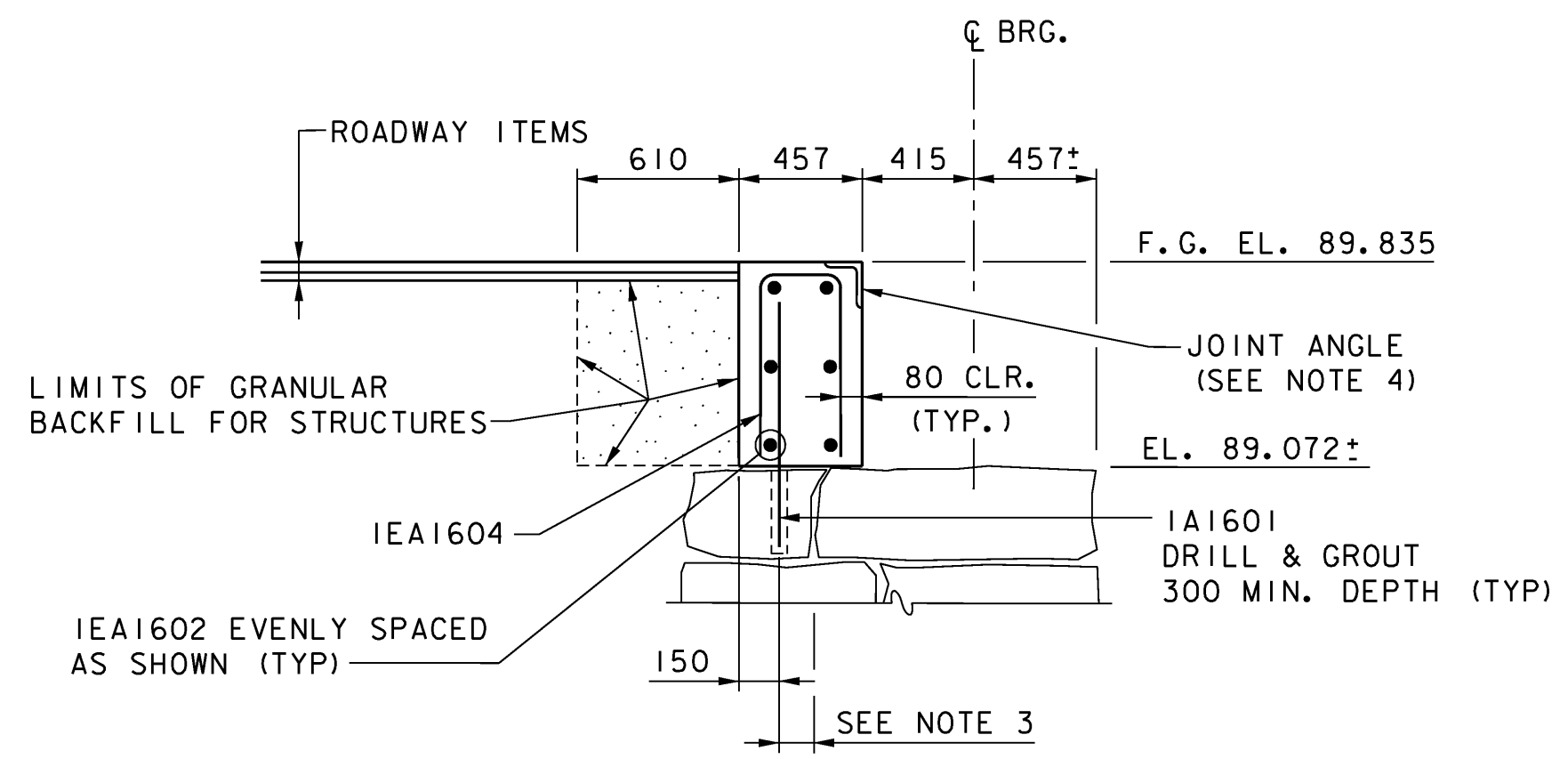


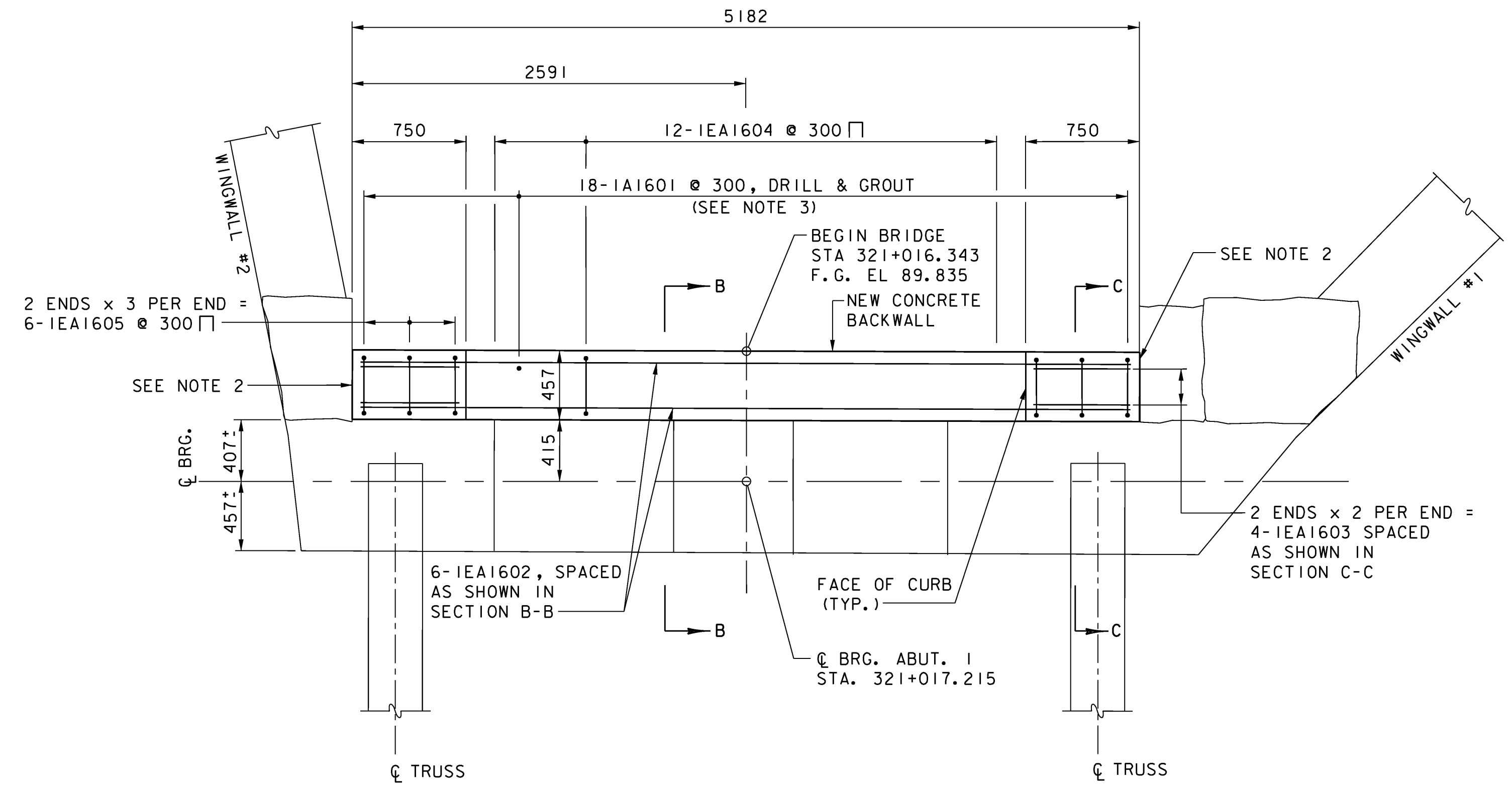
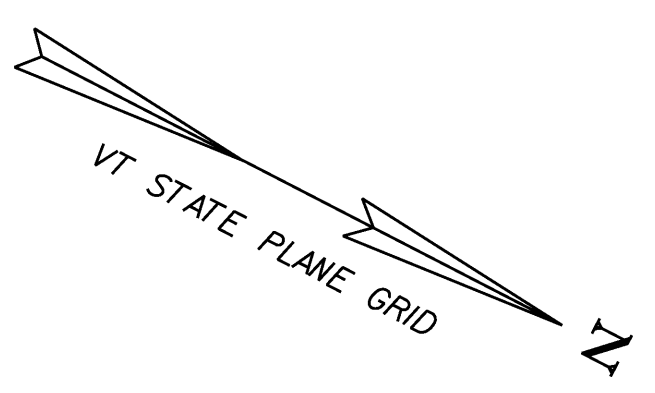
EXISTING ABUTMENT I PLAN
SCALE: 1:25



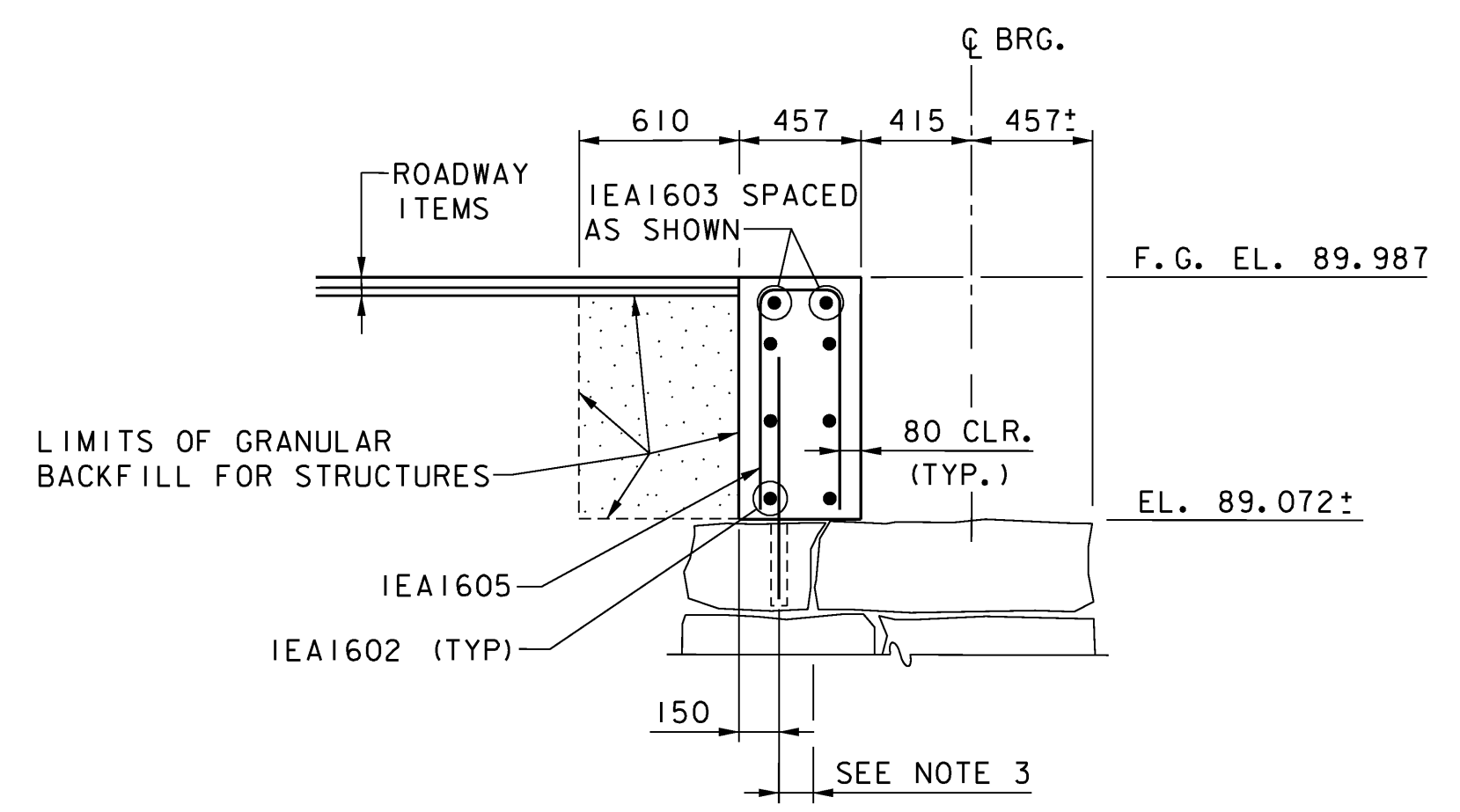
SECTION A-A
SCALE: 1:25



SECTION B-B
SCALE: 1:25

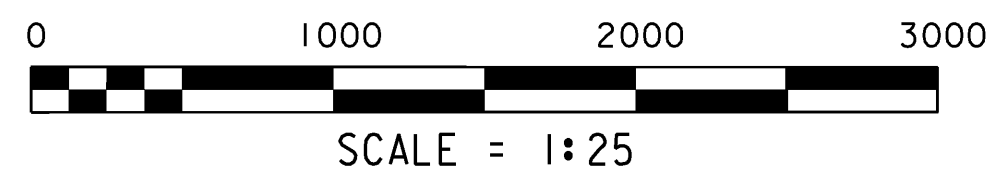


PROPOSED ABUTMENT I MODIFICATIONS PLAN
SCALE: 1:25



SECTION C-C
SCALE: 1:25

- NOTES:**
1. AN ASSUMED CONFIGURATION OF THE BACK OF BACKWALL AND ABUTMENT IS SHOWN IN THE SECTIONS ON THIS SHEET. THE ACTUAL CONFIGURATION IS UNKNOWN.
 2. SHAPE AND RESET EXISTING STONE MASONRY IN BACKWALL TO FORM A VERTICAL JOINT FOR THE NEW BACKWALL CONCRETE TO BE CAST AGAINST. ALL COSTS FOR THIS WORK SHALL BE INCLUDED IN ITEM 620.20, DRY MASONRY.
 3. ADJUST SPACING BETWEEN DRILL AND GROUT BARS 150 MAX. TO AVOID LOCATING BARS WITHIN 100 OF MASONRY EDGES. DRILL AND GROUT BARS MAY BE PLACED MORE THAN 150 FROM THE BACK FACE OF BACKWALL TO MAINTAIN CLEARANCE FROM JOINTS. COST INCLUDED IN ITEM 507.16, DRILLING AND GROUTING DOWELS.
 4. SEE SHEET 25 FOR DECK END JOINT DETAILS AND NOTE 1 ON SHEET 30..



**STATE OF VERMONT
AGENCY OF TRANSPORTATION**

Town Of	DUMMERSTON	Bridge No.	37
Highway No.	TH 62	Log Sta.	
		Surv. Sta.	
TH 62 OVER WEST RIVER			
ABUTMENT I MODIFICATIONS			
Designed By	T. S. BRYANT	Drawn By	B. J. MASSE
Checked By	S. M. HODGDON	Date	4/09
		Bridge Design Supervisor	S. M. HODGDON Date 4/09
PROJECT	DUMMERSTON	PROJECT NO.	BHO 1442 (28)
I.G.C. Info.			
Bridge Sheet No.	ZJ080MA1	Sheet	28 of 49