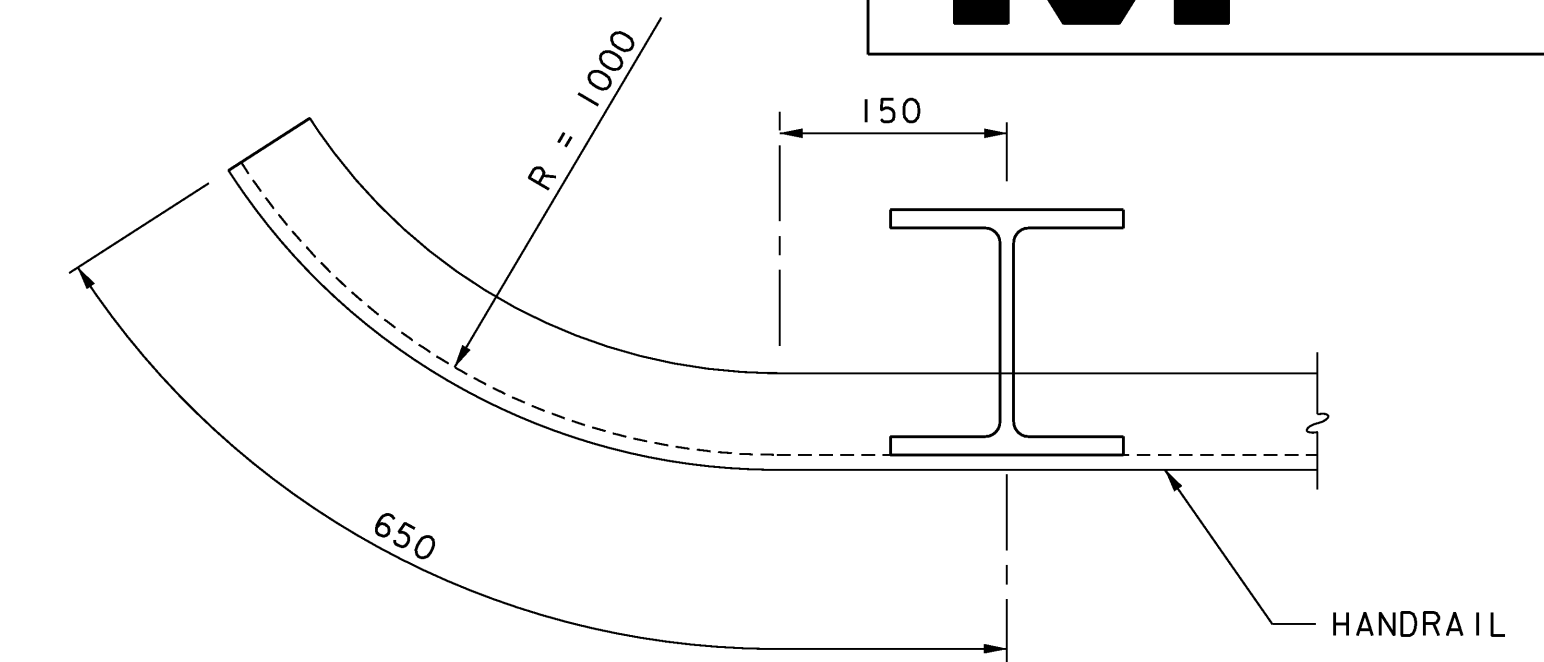
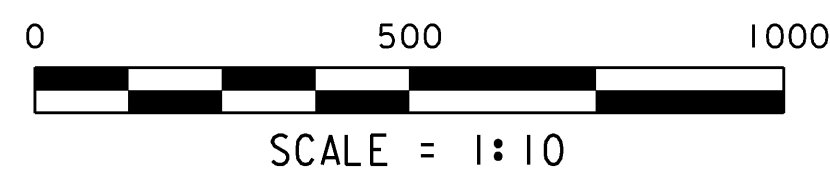
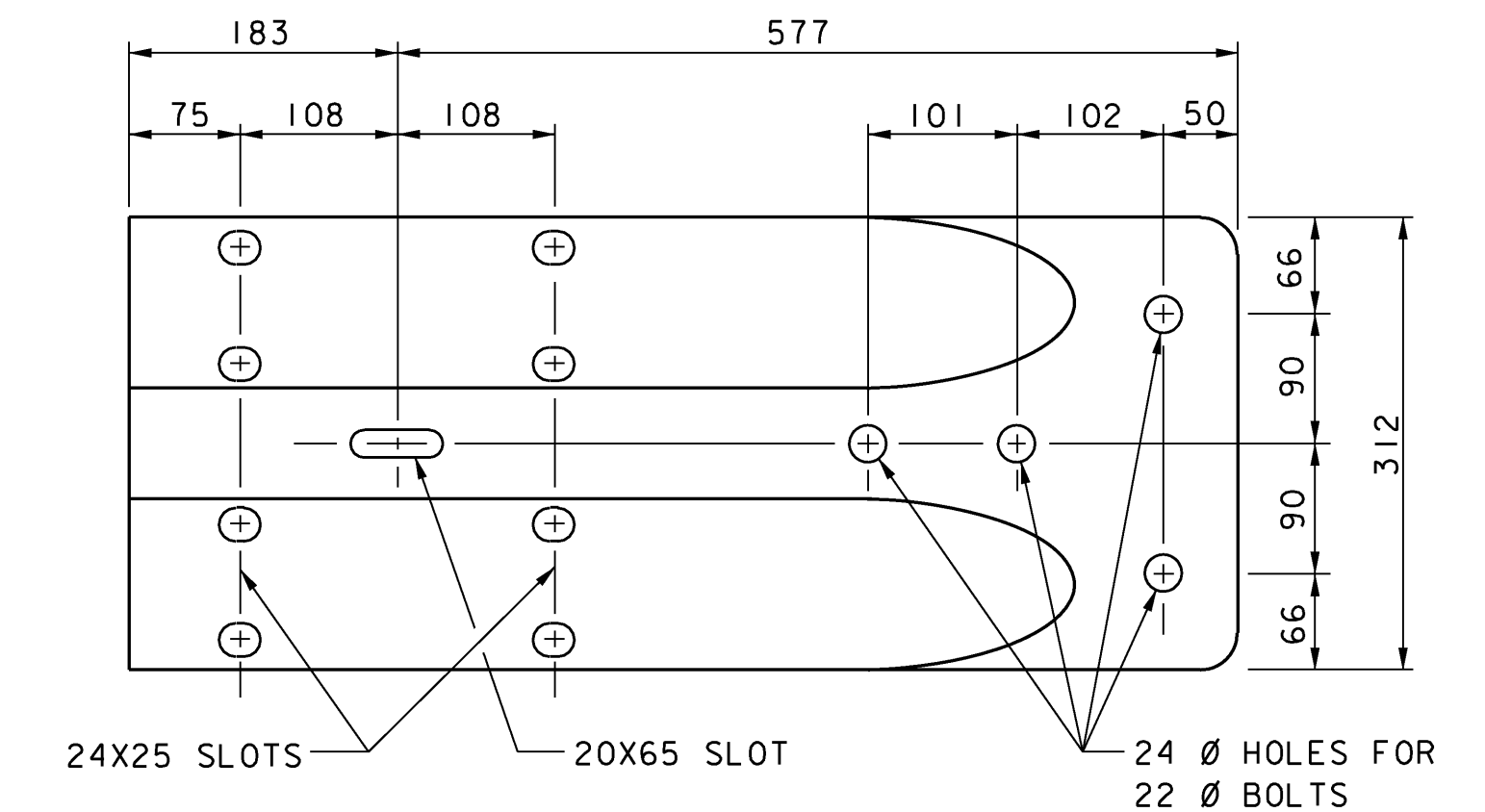


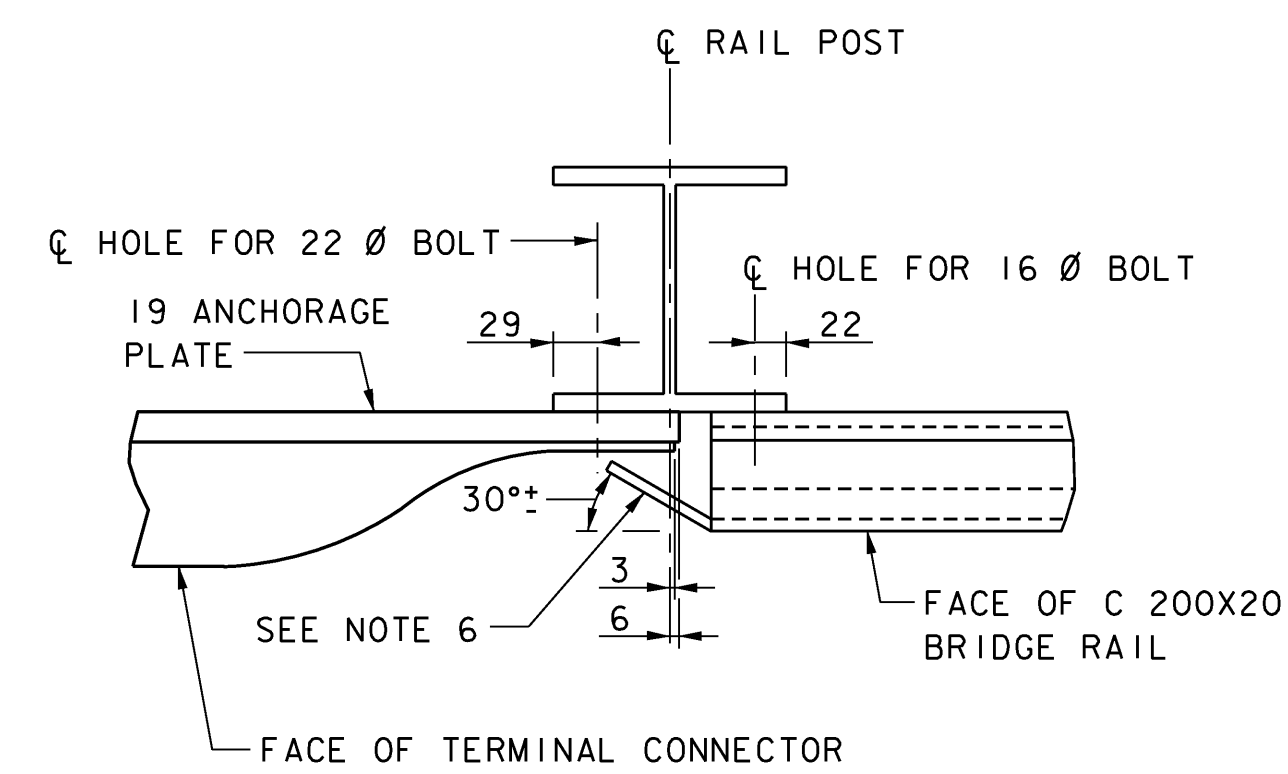
ELEVATION



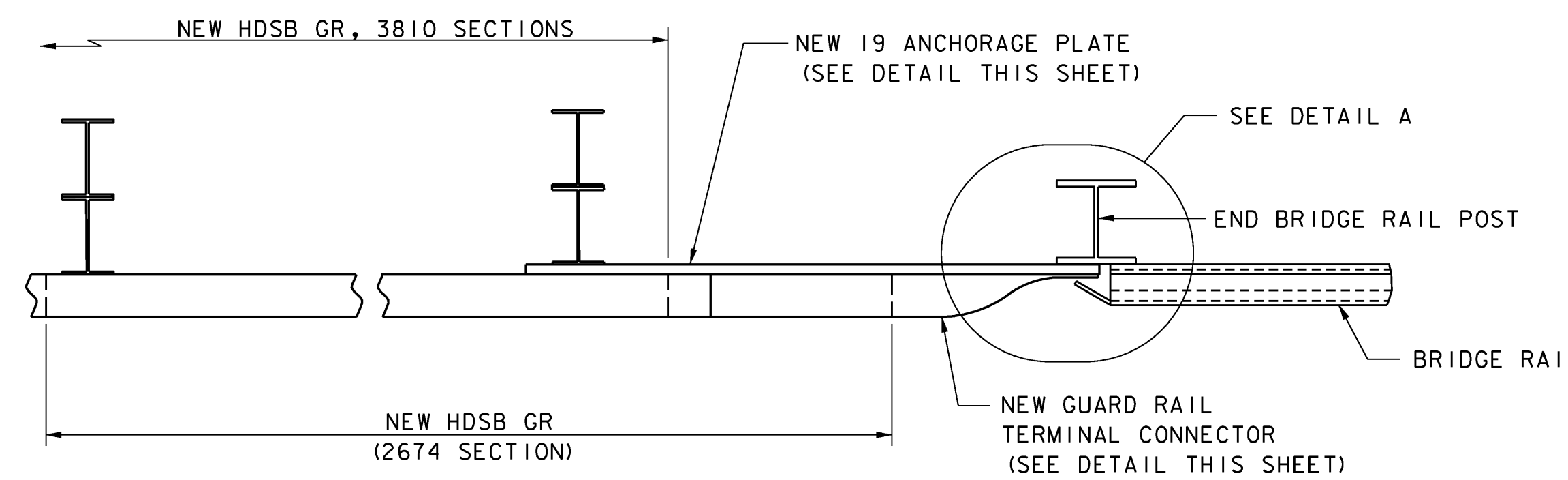
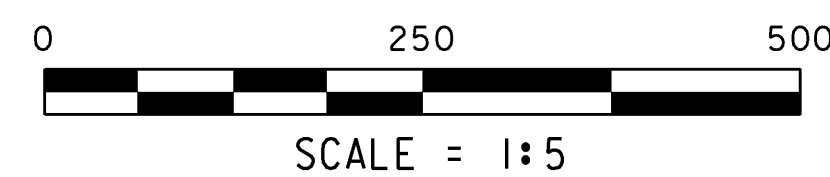
DETAIL B
SCALE: 1:5



RWE02 TERMINAL CONNECTOR DETAIL
SCALE: 1:5

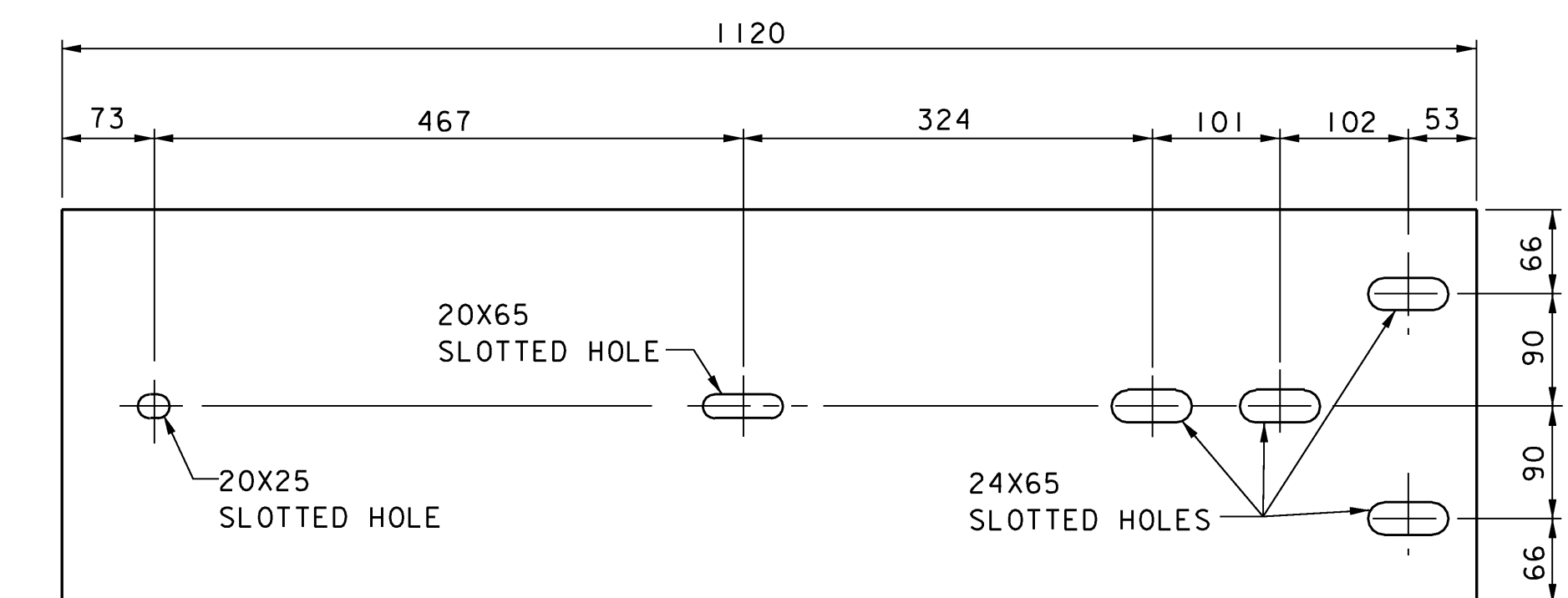


DETAIL A
SCALE: 1:5



BRIDGE RAIL END TRANSITION DETAILS

SCALE: 1:10



ANCHORAGE PLATE DETAIL

SCALE: 1:5

NOTES:

- GUARD RAIL TO BRIDGE RAIL TRANSITION DETAILS SHOWN ARE TYPICAL AT ALL 4 CORNERS OF THE BRIDGE.
- THE PRICE BID PER METER FOR ITEM 621.21, HD STEEL BEAM GUARDRAIL, GALVANIZED, SHALL INCLUDE MATERIAL AND INSTALLATION OF BOTH THE FOUR (4) NEW ANCHORAGE PLATES AND THE FOUR (4) NEW 2674 SECTIONS OF HEAVY DUTY STEEL BEAM GUARD RAIL AT BRIDGE ENDS, AS WELL AS THE FURNISHING OF ALL LABOR, TOOLS, EQUIPMENT, AND INCIDENTALS NECESSARY TO COMPLETE THE INSTALLATION OF THE HEAVY DUTY STEEL BEAM GUARD RAIL AS SHOWN ON SHEET 5.
- THE 19 mm ANCHORAGE PLATES SHALL BE ASTM A36 STEEL, GALVANIZED TO ASTM A123 AFTER FABRICATION.
- THE PRICE BID EACH FOR ITEM 621.53, TERMINAL CONNECTOR FOR STEEL BEAM GUARDRAIL, SHALL INCLUDE MATERIALS AS WELL AS THE FURNISHING OF ALL LABOR, TOOLS, EQUIPMENT, AND INCIDENTALS NECESSARY TO COMPLETE THE INSTALLATION OF EACH TERMINAL CONNECTOR AS DETAILED ON THIS SHEET.
- SEE STANDARDS G-1, G-1d, AND G-16 FOR ADDITIONAL DETAILS.
- COPE FLANGES AND CUT AND BEND WEB AT END OF C 200X20 CHANNEL RAIL AS SHOWN ON THIS SHEET. AT THE FABRICATOR'S OPTION A 8 mm THICK PLATE SIMILARLY SHAPED MAY BE WELDED TO THE END OF THE CHANNEL RAIL INSTEAD.
- THE BID PRICE PER METER FOR ITEM 900.640 SPECIAL PROVISION (BRIDGE RAILING, TRUSS) SHALL INCLUDE PAYMENT FOR HAND RAIL EXTENSION AS DETAILED ON THIS SHEET.

**STATE OF VERMONT
AGENCY OF TRANSPORTATION**

Town Of	DUMMERSTON	Bridge No.	37
Highway No.	TH 62	Log Sta.	
		Surv. Sta.	
TH 62 OVER WEST RIVER			
BRIDGE RAIL END TRANSITION DETAILS			
Designed By	A. J. CRAWFORD	Drawn By	B. J. MASSE
Checked By	T. S. BRYANT	Date	4/09
		Bridge Design Supervisor	S. M. HODGDON
PROJECT	DUMMERSTON	Date	4/09
		PROJECT NO.	BHO 1442 (28)
I.G.C. Info.	ZJ080RD1	Sheet	27 of 49
Bridge Sheet No.	ZJ080RD1		