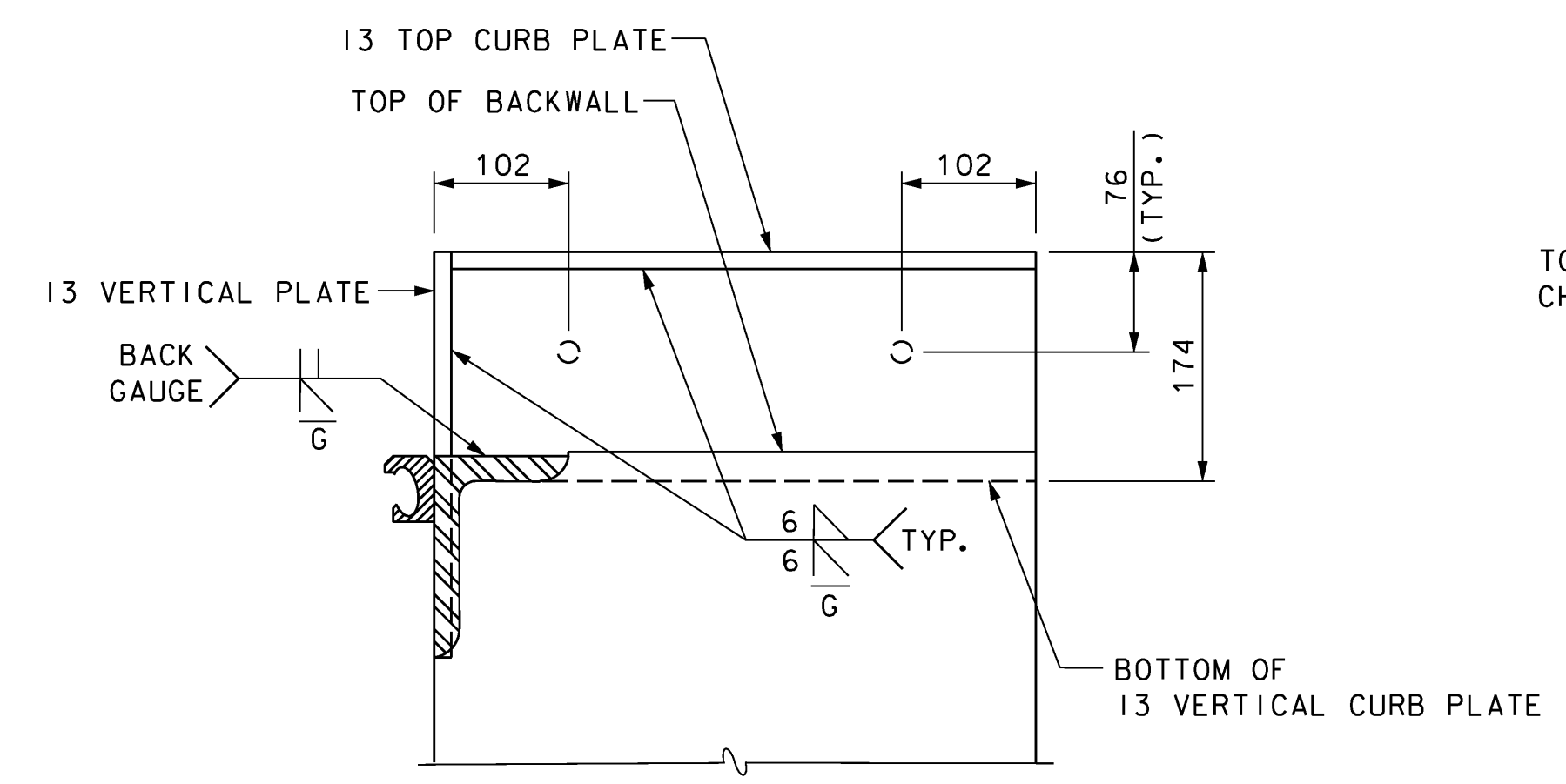
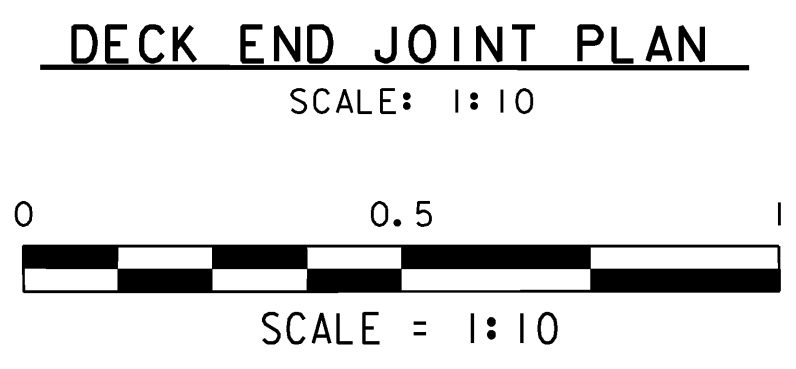
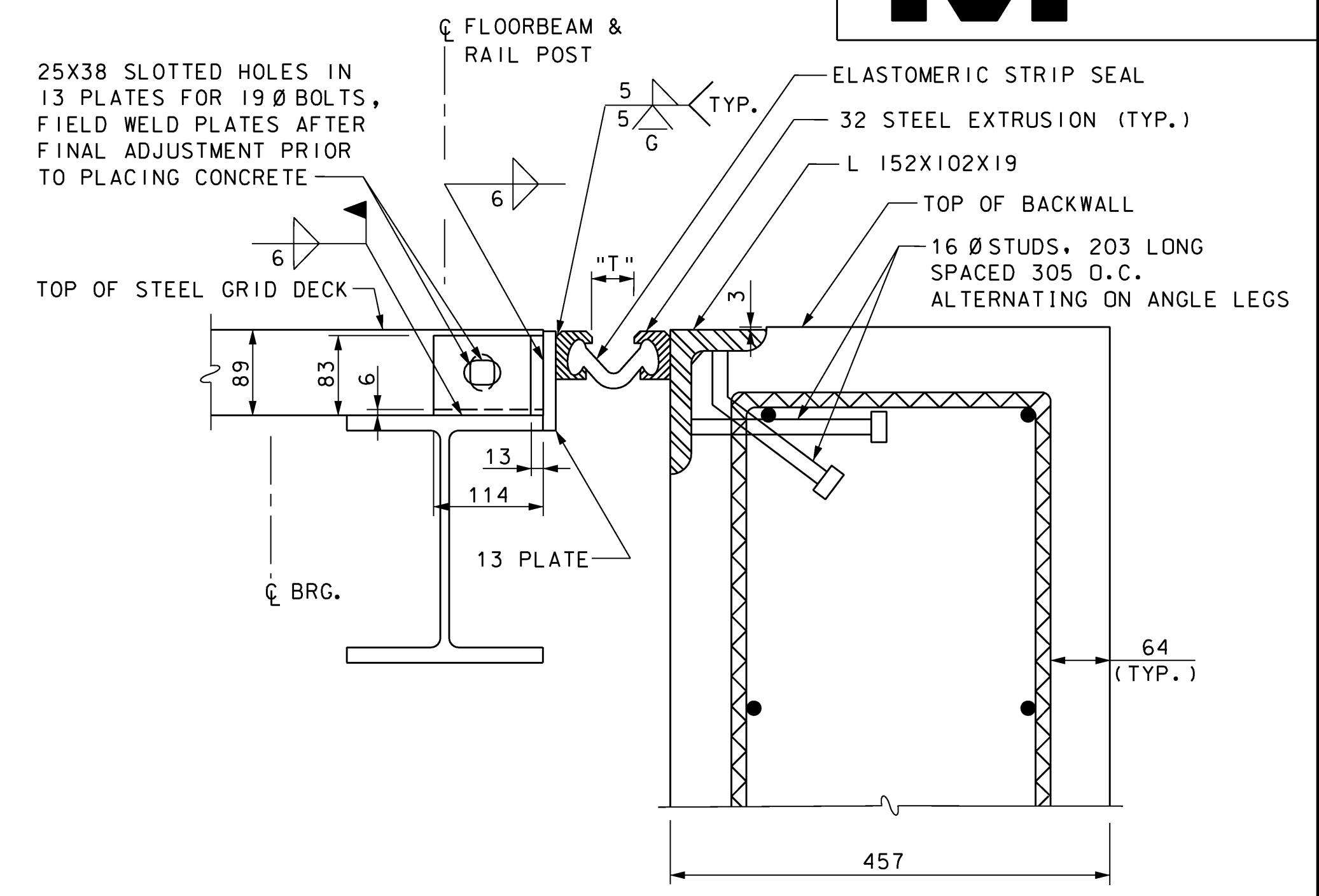


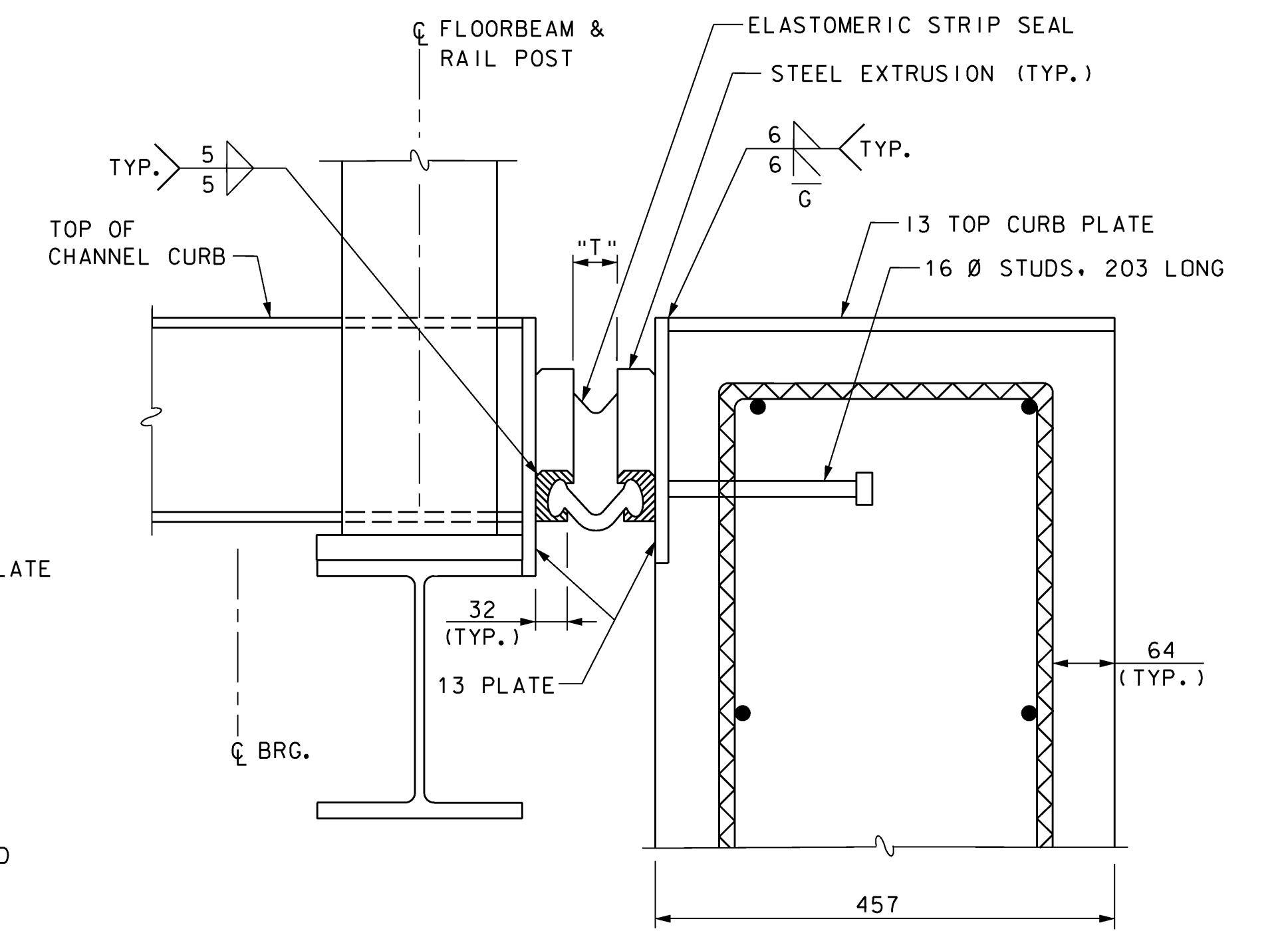
TEMPERATURE ADJUSTMENT TABLE	
TEMPERATURE	"T"
-18°C	73
-9°C	67
-1°C	61
7°C	55
16°C	49
24°C	43
32°C	37
41°C	31



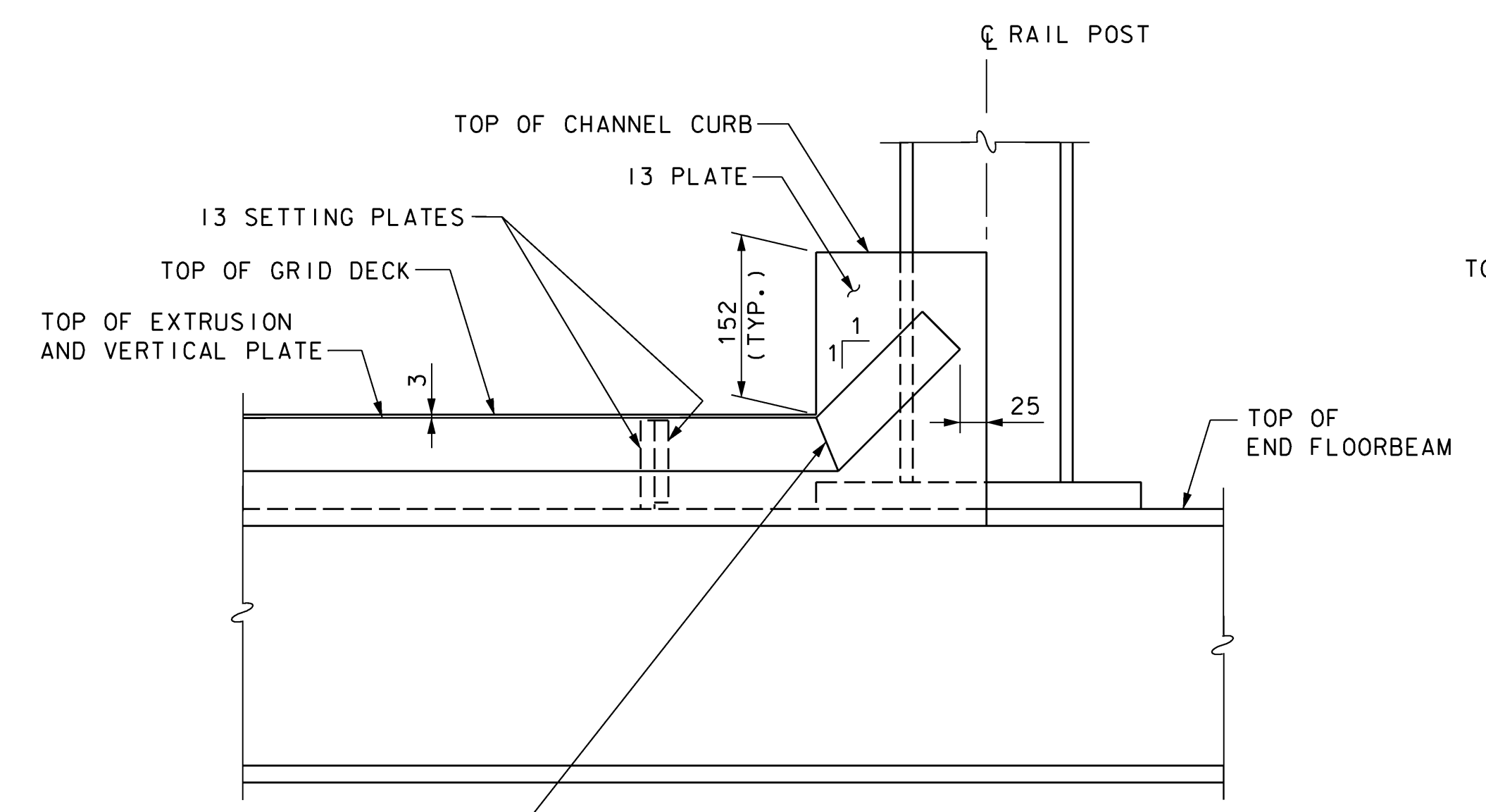
SECTION E-E
SCALE: 1:5



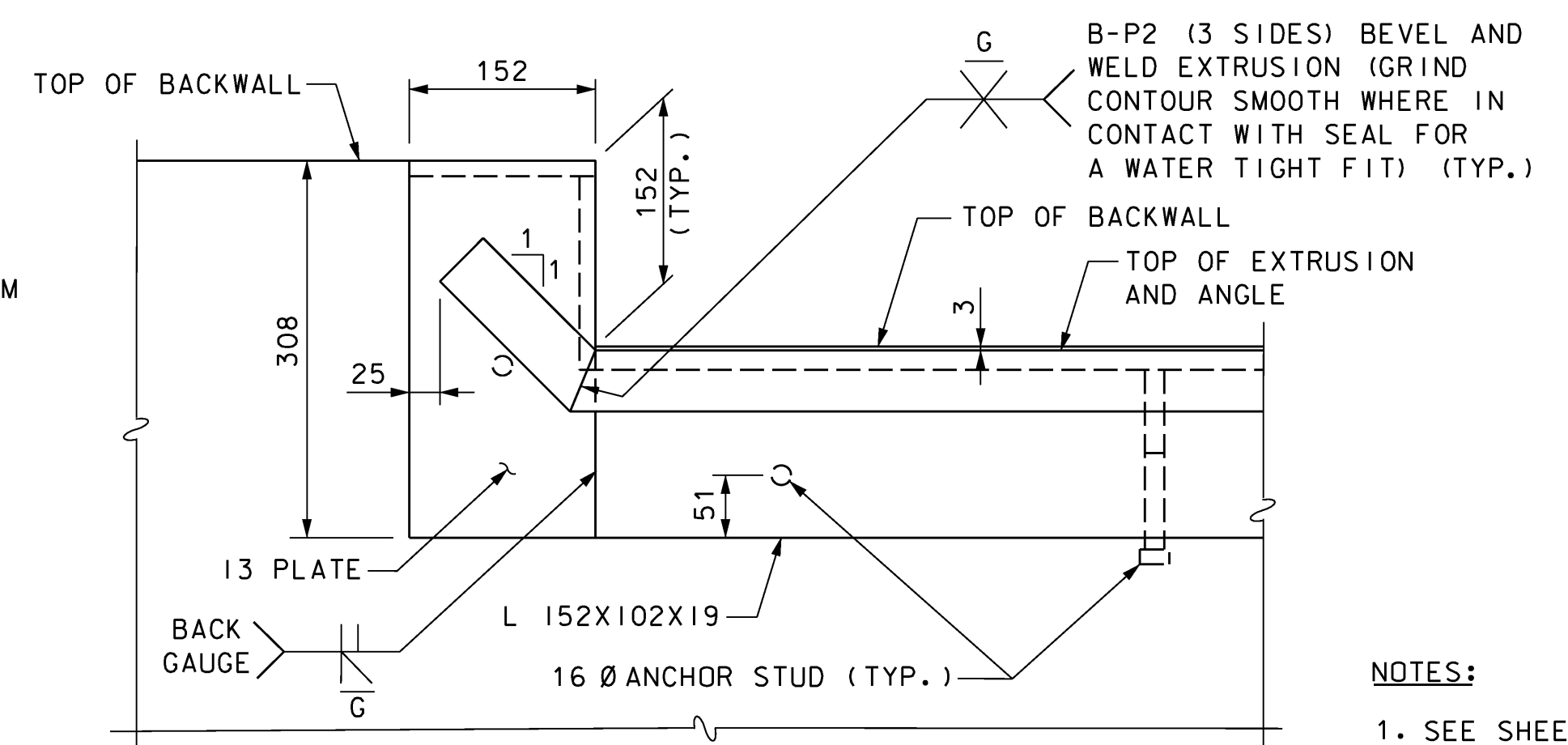
SECTION A-A
SCALE: 1:5



SECTION B-B
SCALE: 1:5



SECTION C-C
SCALE: 1:5

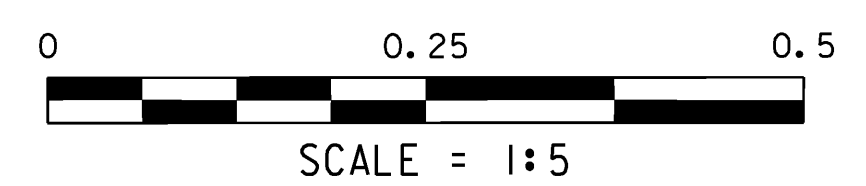


SECTION D-D
SCALE: 1:5

B-P2 (3 SIDES) BEVEL AND WELD EXTRUSION (GRIND CONTOUR SMOOTH WHERE IN CONTACT WITH SEAL FOR A WATER TIGHT FIT) (TYP.)

NOTES:

- SEE SHEET 16 FOR DECK END JOINT NOTES.
- SPACING OF SETTING PLATES MAY BE ADJUSTED UP TO 51 MAX. TO BETTER FIT BETWEEN GRID DECK BEARING BARS.



STATE OF VERMONT AGENCY OF TRANSPORTATION

Town Of	DUMMERSTON	Bridge No.	37
Highway No.	TH 62	Log Sta.	
		Surv. Sta.	
TH 62 OVER WEST RIVER			
DECK END JOINT DETAILS			
Designed By	T. S. BRYANT	Drawn By	B. J. MASSE
Checked By	S. M. HODGDON	Date	4/09
		Bridge Design Supervisor	S. M. HODGDON Date 4/09
PROJECT	DUMMERSTON	PROJECT NO.	BHO 1442 (28)
I.G.C. Info.			
Bridge Sheet No.	ZJ080JT1	Sheet	25 of 49