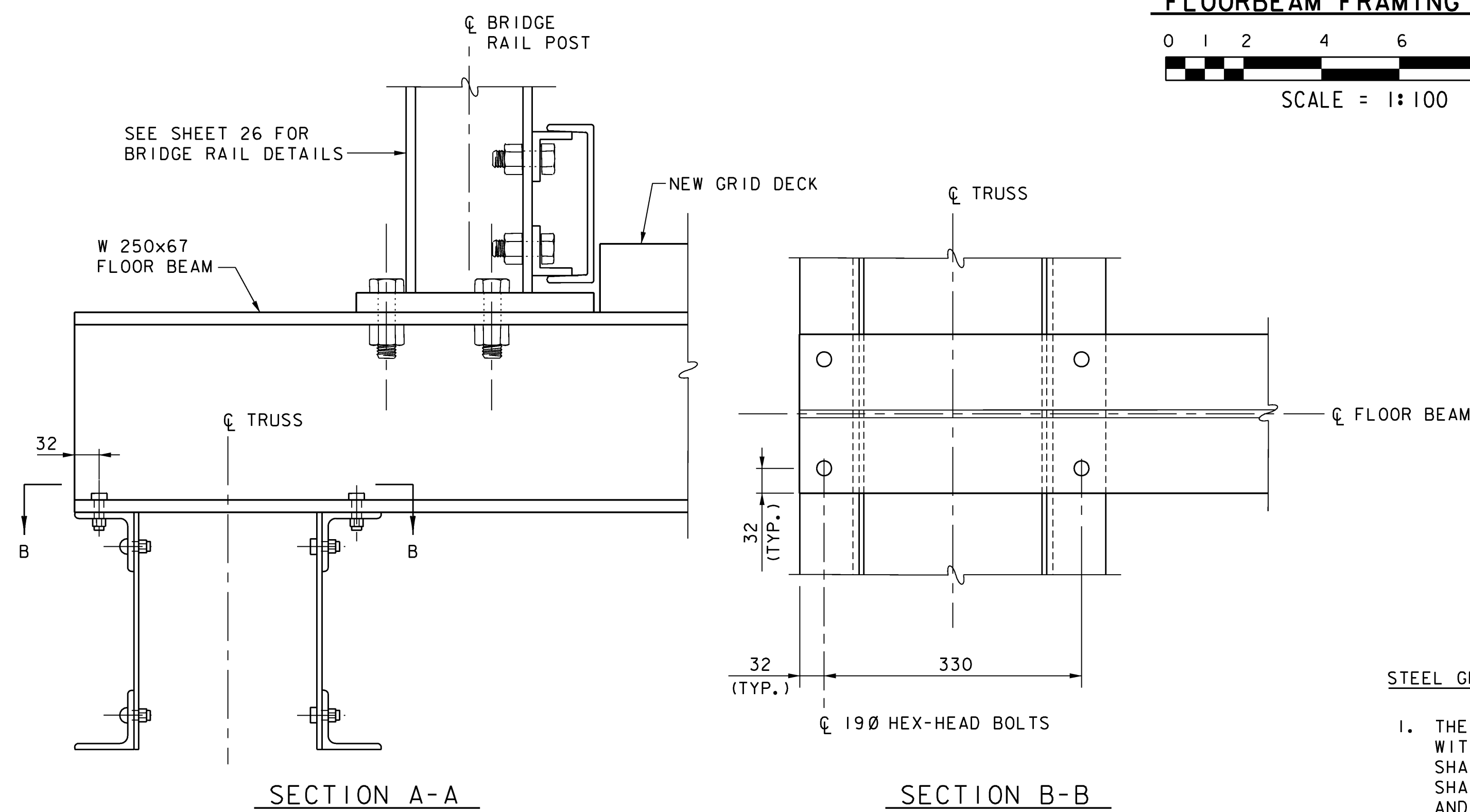


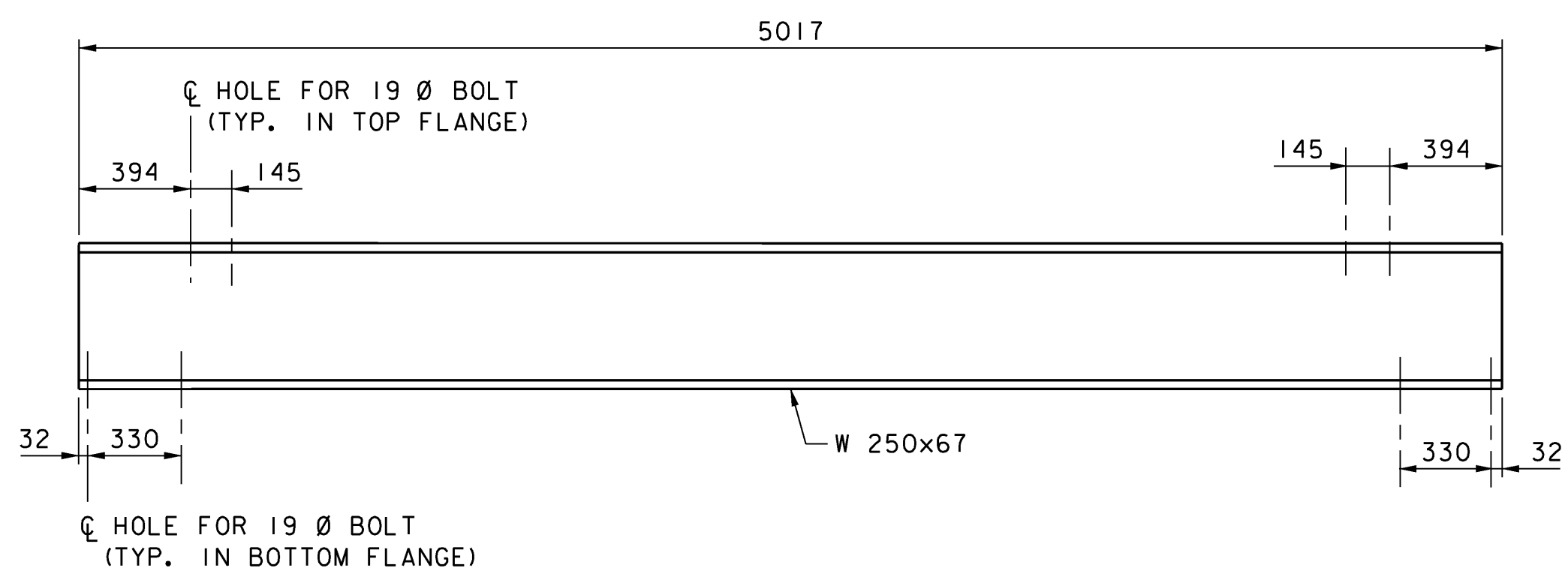
**FLOORBEAM FRAMING PLAN**  
 0 1 2 4 6 8 10  
 SCALE = 1:100



SECTION A-A

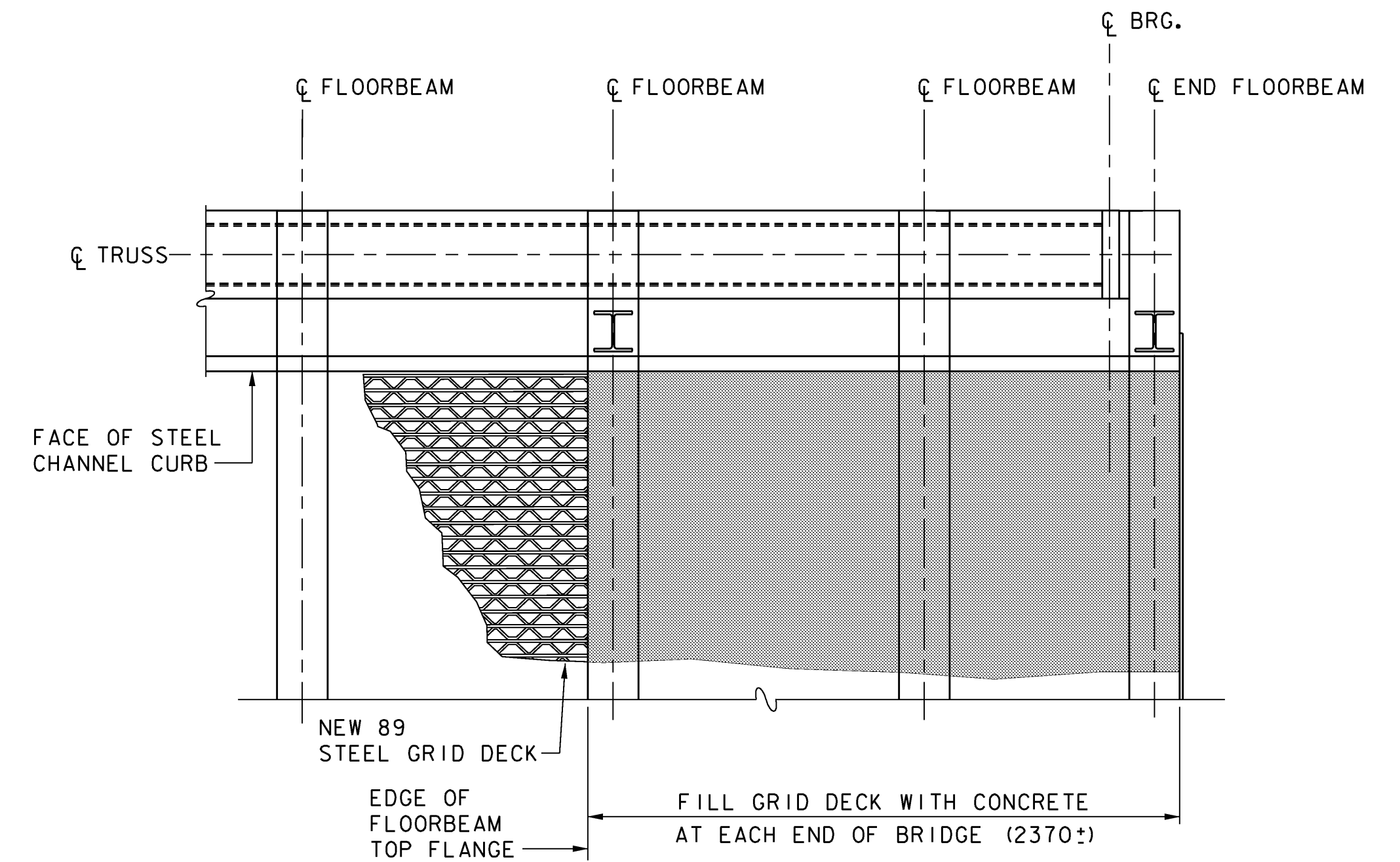
SECTION B-B

0 0.25 0.5  
 SCALE = 1:5



TYPICAL FLOORBEAM ELEVATION

0 1 2  
 SCALE = 1:20



DETAIL A

0 1 2  
 SCALE = 1:20

**STEEL GRID DECK NOTES:**

1. THE NEW BRIDGE DECK SHALL BE STEEL GRID FLOORING WITH 89 mm HIGH BEARING BARS. THE GRID DECK SHALL BE DESIGNED FOR AASHTO M13.5 LIVE LOAD AND SHALL SPAN BETWEEN FLOORBEAMS. THE WIDTH, LENGTH, AND LAYOUT OF THE GRID DECK PANELS SHALL BE DETERMINED BY THE CONTRACTOR. DESIGN CALCULATIONS FOR THE STEEL GRID DECK SHALL BE STAMPED BY A LICENSED PROFESSIONAL ENGINEER AND SUBMITTED, ALONG WITH DETAILS OF PANEL SIZES AND LAYOUT, TO THE ENGINEER FOR REVIEW. SEE SECTION 900 OF THE SPECIAL PROVISIONS FOR STEEL GRID FLOORING.
2. THE MAIN BEARING BARS OF THE GRID DECK SHALL BE ATTACHED TO THE TOP FLANGE OF EACH FLOORBEAM WITH 6 mm X 40 mm LONG FILLET WELDS, SPACED AT 300 mm MAXIMUM ALONG THE FLOORBEAM. EACH GRID DECK PANEL SHALL HAVE A MINIMUM OF 4 ATTACHMENTS TO EACH FLOORBEAM.
3. THE ENTIRE WIDTH OF STEEL GRID DECK SHALL BE FILLED WITH CONCRETE, HIGH PERFORMANCE CLASS AA AT EACH END OF THE BRIDGE AS SHOWN ON THIS SHEET. THE CONCRETE SHALL BE PAID UNDER ITEM 501.32, CONCRETE, HIGH PERFORMANCE CLASS AA. THE CONCRETE SHALL BE STRUCK SMOOTH WITH THE TOP OF THE STEEL GRID DECK AND GIVEN A BROOM FINISH.
4. SEE SHEET 25 FOR DETAILS OF OPENINGS IN GRID DECK REQUIRED AT DECK END JOINTS.
5. THE GRID DECK SHALL BE GALVANIZED AFTER FABRICATION IN ACCORDANCE WITH THE REQUIREMENTS OF AASHTO M 111M/111.

DIMENSIONS PROVIDED IN THESE PLANS SHALL NOT BE USED FOR FABRICATION PURPOSES. ALL NECESSARY DIMENSIONS AND CONFIGURATIONS SHALL BE DETERMINED FROM ACTUAL FIELD MEASUREMENTS.

**STATE OF VERMONT  
 AGENCY OF TRANSPORTATION**

Town Of	DUMMERSTON	Bridge No.	37
Highway No.	TH 62	Log Sta.	
		Surv. Sta.	
TH 62 OVER WEST RIVER			
<b>FLOOR SYSTEM DETAILS</b>			
Designed By	T. S. BRYANT	Drawn By	B. J. MASSE
Checked By	S. M. HODGDON	Date	4/09
		Bridge Design Supervisor	S. M. HODGDON Date 4/09
PROJECT	DUMMERSTON	PROJECT NO.	BHO 1442 (28)
I.G.C. Info.			
Bridge Sheet No.	ZJ080DT1	Sheet	22 of 49