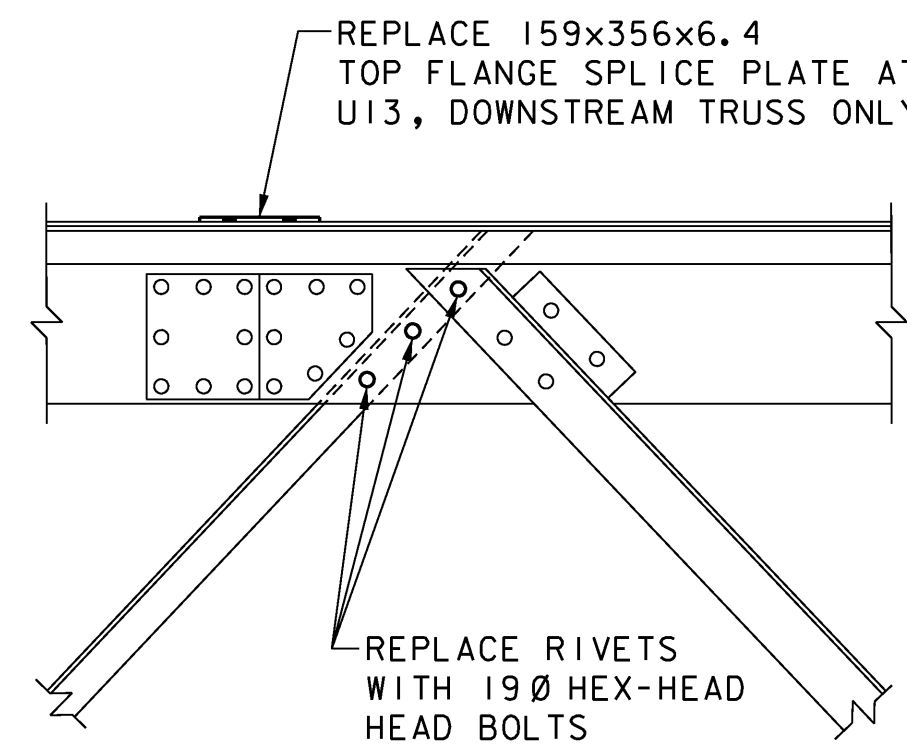
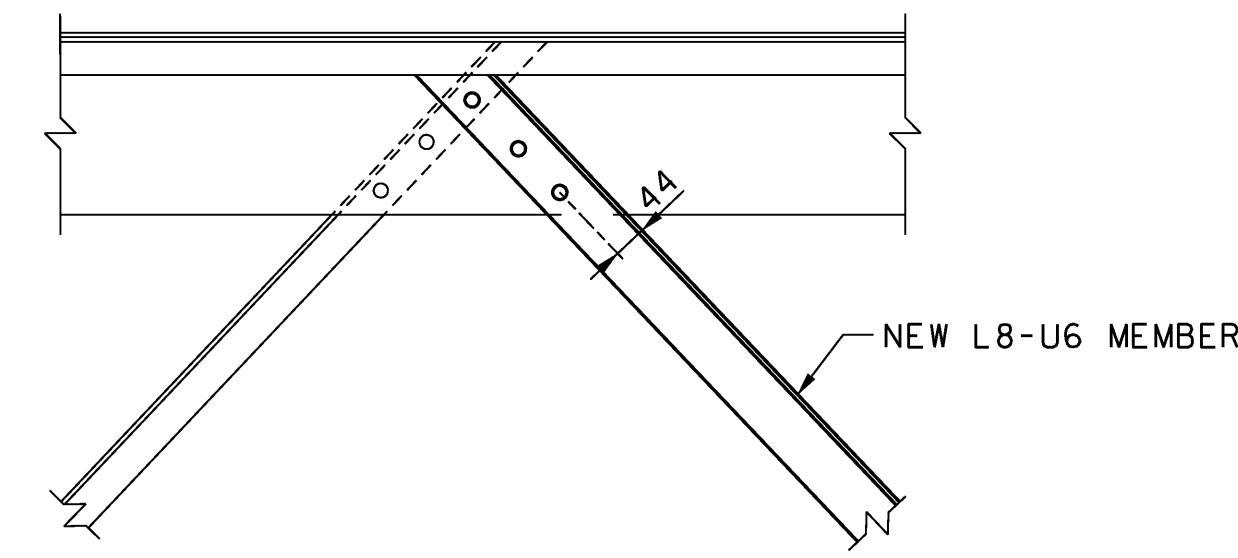


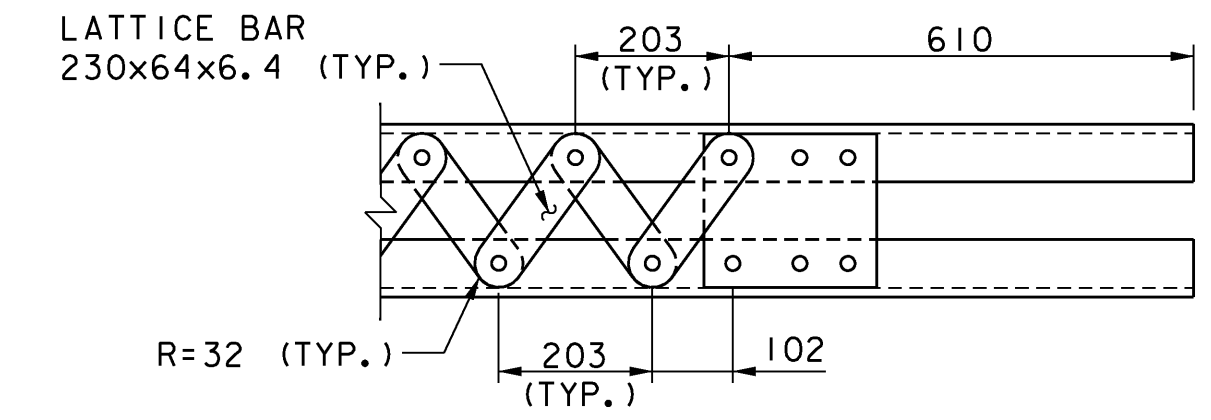
(BATTEN PLATES AND LATTICE BARS NOT SHOWN FOR CLARITY)  
**PANEL POINT U2**  
 (U14 SIMILAR, OPPOSITE HAND)



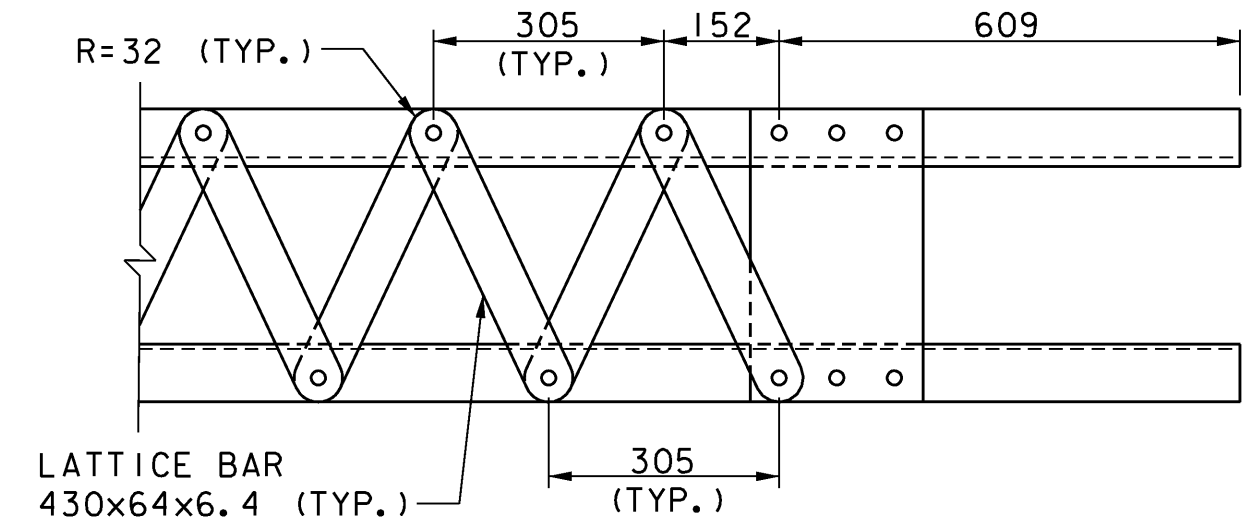
REPLACE 159x356x6.4 TOP FLANGE SPLICE PLATE AT U13, DOWNSTREAM TRUSS ONLY  
 REPLACE RIVETS WITH 19Ø HEX-HEAD HEAD BOLTS  
 (BATTEN PLATES AND LATTICE BARS NOT SHOWN FOR CLARITY)  
**PANEL POINT U3**  
 (U13 SIMILAR, OPPOSITE HAND)



REPLACE RIVETS WITH 19Ø HEX-HEAD HEAD BOLTS  
 (BATTEN PLATES AND LATTICE BARS NOT SHOWN FOR CLARITY)  
**PANEL POINT U6**  
 (U10 SIMILAR, OPPOSITE HAND)



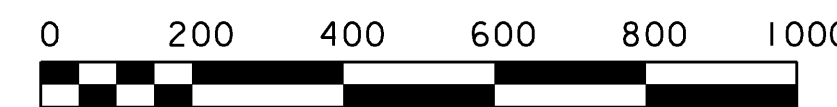
**DETAIL A**  
 N. T. S.



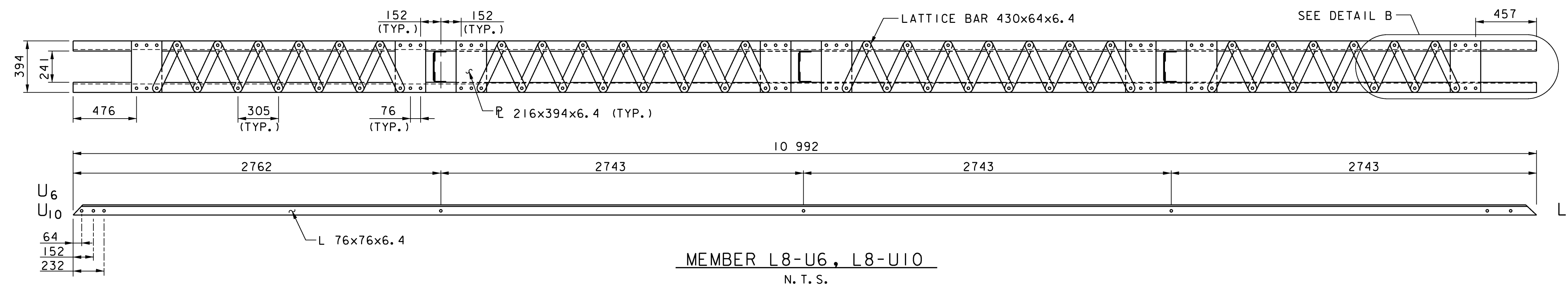
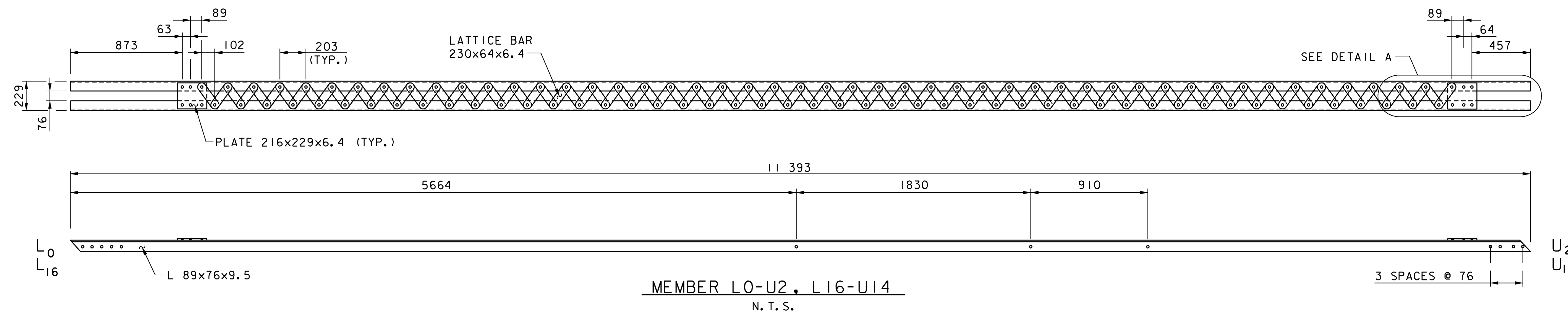
**DETAIL B**  
 N. T. S.

**TRUSS TOP CHORD CONNECTIONS**

SCALE: 1:10



DIMENSIONS PROVIDED IN THESE PLANS SHALL NOT BE USED FOR FABRICATION PURPOSES. ALL NECESSARY DIMENSIONS AND CONFIGURATIONS SHALL BE DETERMINED FROM ACTUAL FIELD MEASUREMENTS.



**NOTES:**

1. NEW TRUSS DIAGONAL MEMBERS SHALL BE CONNECTED TO TRUSS TOP CHORD WITH 19Ø HEX-HEAD BOLTS IN EXISTING RIVET HOLES.
2. BATTEN PLATES AND LATTICE BARS SHALL BE CONNECTED WITH 19Ø SLOTTED BUTTON HEAD BOLTS.

**STATE OF VERMONT AGENCY OF TRANSPORTATION**

Town Of	DUMMERSTON	Bridge No.	37
Highway No.	TH 62	Log Sta.	
		Surv. Sta.	
TH 62 OVER WEST RIVER			
<b>TRUSS DIAGONAL DETAILS (SHEET 1 OF 2)</b>			
Designed By	T. S. BRYANT	Drawn By	B. J. MASSE
Checked By	S. M. HODGDON	Date	4/09
		Bridge Design Supervisor	S. M. HODGDON
PROJECT	DUMMERSTON	Date	4/09
		PROJECT NO.	BHO 1442 (28)
I.C.C. Info.			
Bridge Sheet No.	ZJ080DT3	Sheet	19 of 49