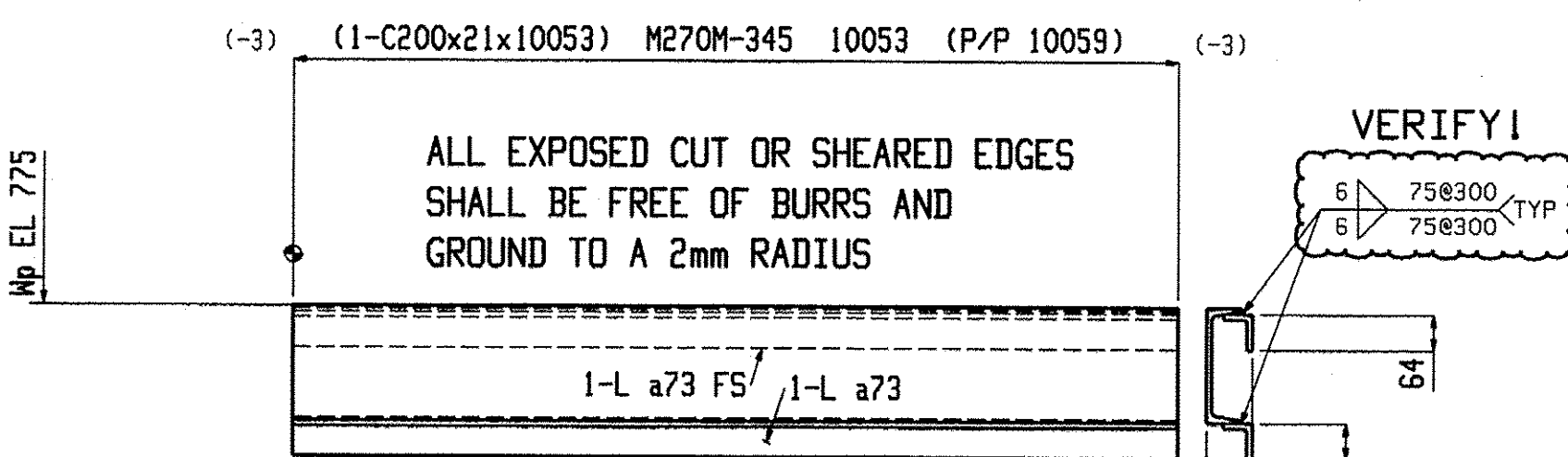
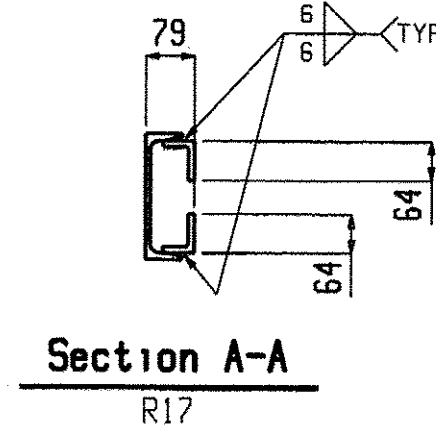


ONE BEAM R17

W|203x7.5  
F|59.5x10  
K|24x18

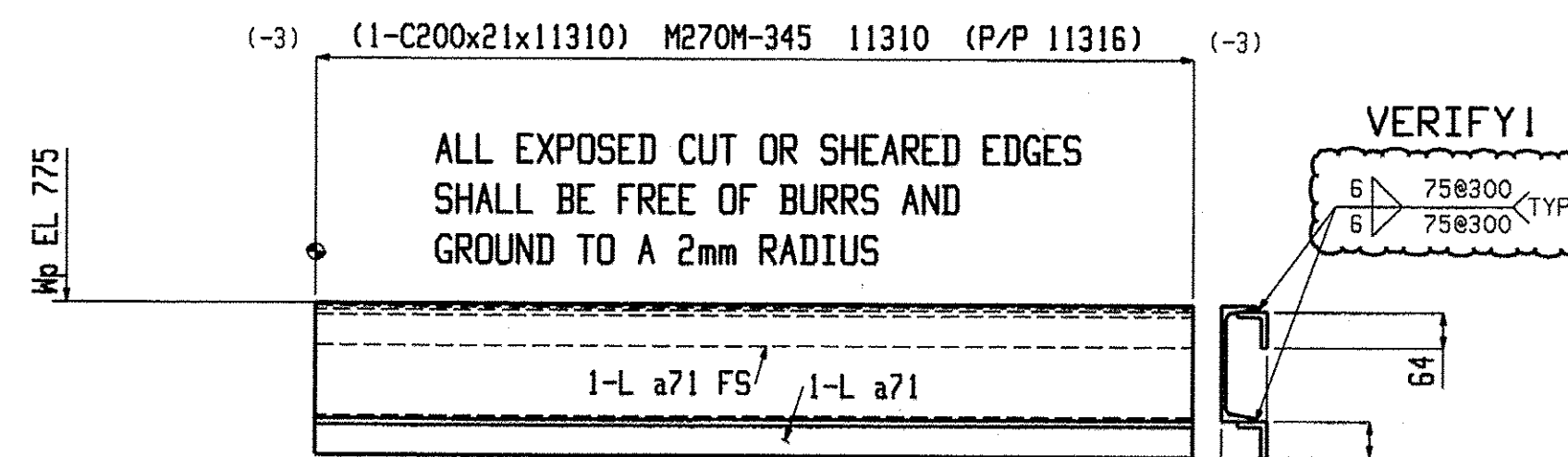
SHOP NOTE:  
TOE DIRECTION FAR SIDE



2 BEAMS R19

W|203x7.5  
F|59.5x10  
K|24x18

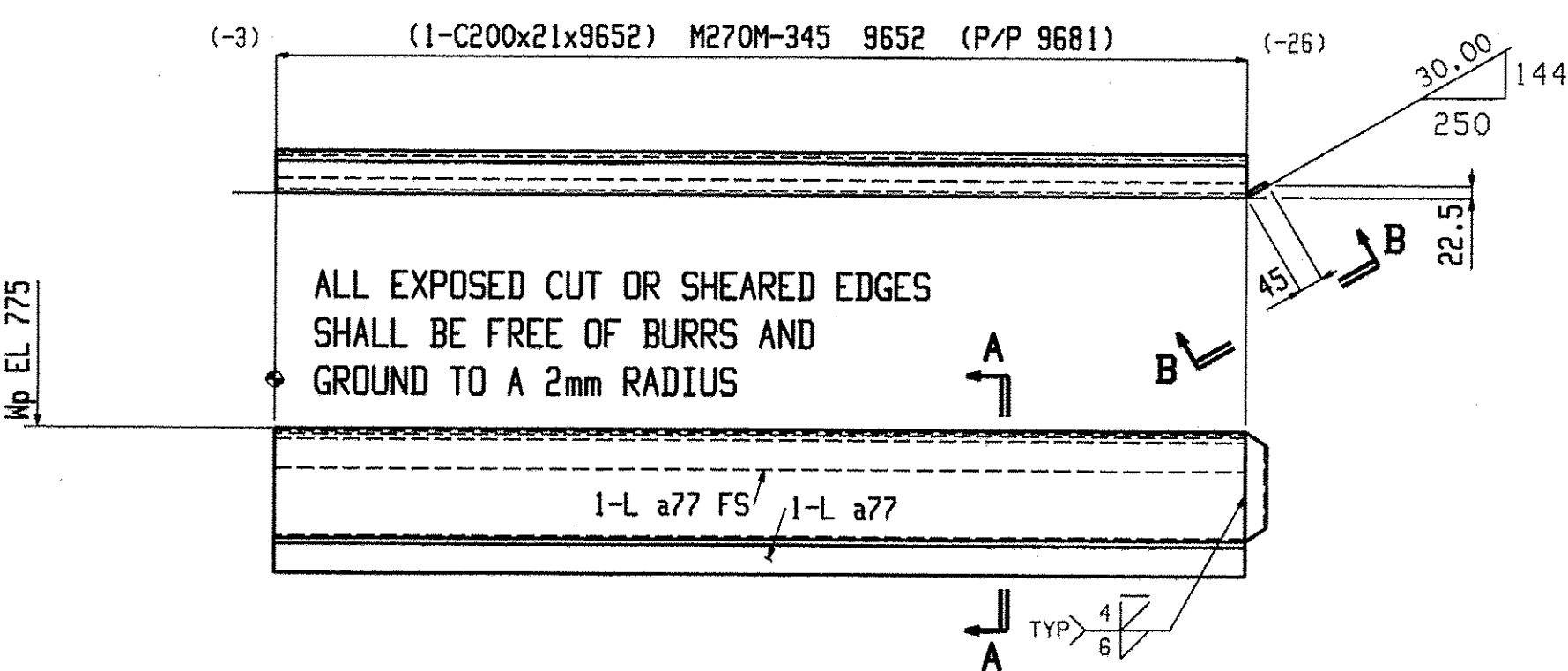
SHOP NOTE:  
TOE DIRECTION FAR SIDE



ONE BEAM R20

W|203x7.5  
F|59.5x10  
K|24x18

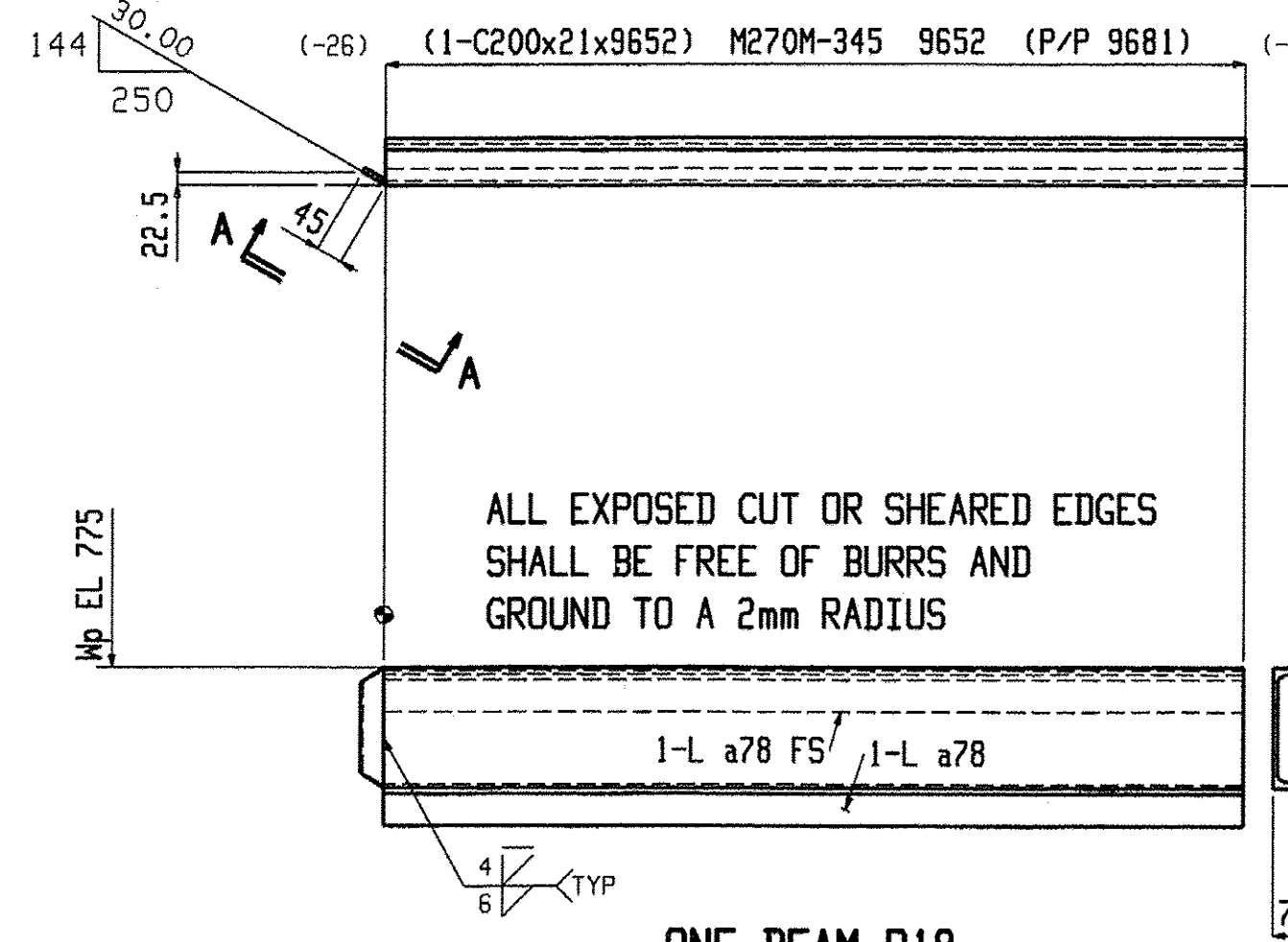
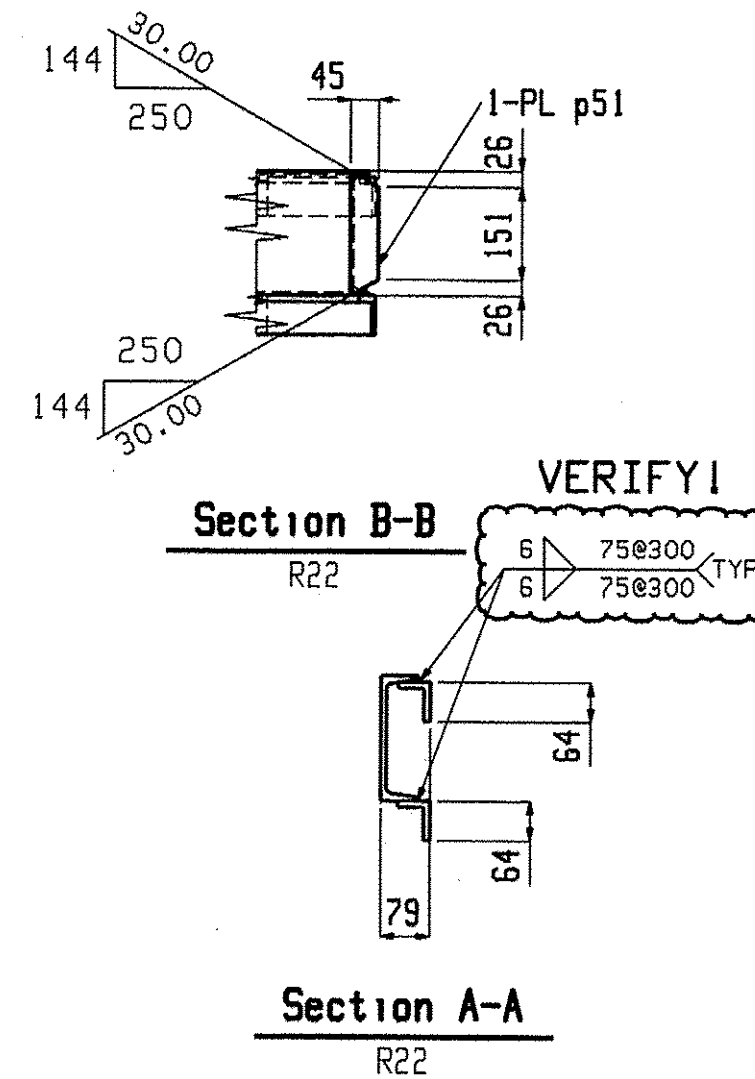
SHOP NOTE:  
TOE DIRECTION FAR SIDE



ONE BEAM R22

W|203x7.5  
F|59.5x10  
K|24x18

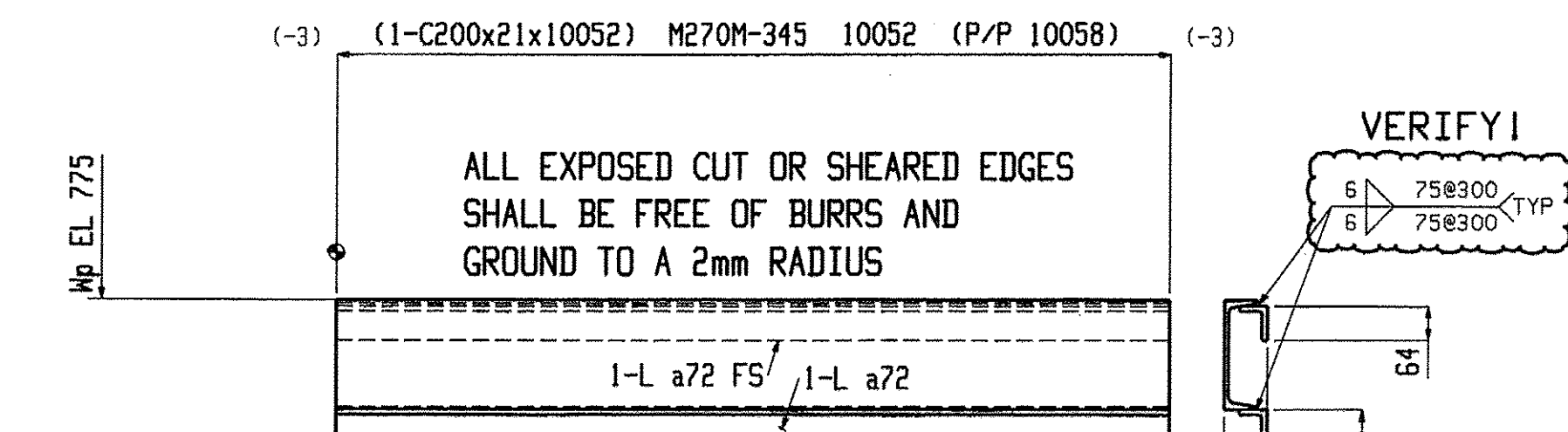
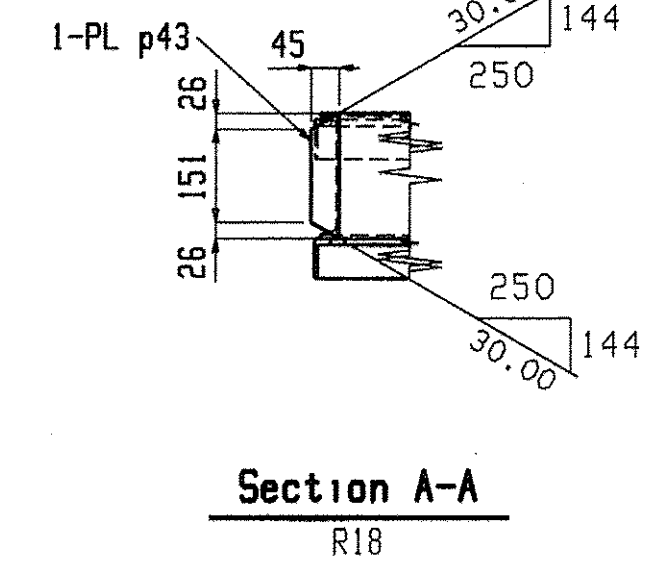
SHOP NOTE:  
TOE DIRECTION FAR SIDE



ONE BEAM R18

W|203x7.5  
F|59.5x10  
K|24x18

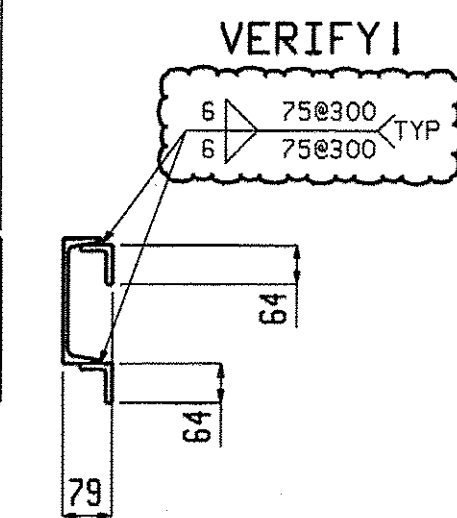
SHOP NOTE:  
TOE DIRECTION FAR SIDE



ONE BEAM R21

W|203x7.5  
F|59.5x10  
K|24x18

SHOP NOTE:  
TOE DIRECTION FAR SIDE



Nov 06 2009 10:55:49 AM

| BILL OF MATERIAL |       |             |        |         |         |           |             |         |  | BILL OF MATERIAL |       |             |        |         |         |           |             |         |  | BILL OF MATERIAL |       |             |        |         |         |           |             |         |  |  |
|------------------|-------|-------------|--------|---------|---------|-----------|-------------|---------|--|------------------|-------|-------------|--------|---------|---------|-----------|-------------|---------|--|------------------|-------|-------------|--------|---------|---------|-----------|-------------|---------|--|--|
| Qty              | Piece |             |        |         |         |           |             |         |  | Qty              | Piece |             |        |         |         |           |             |         |  | Qty              | Piece |             |        |         |         |           |             |         |  |  |
| Tot.             | Mark  | Description | Length | Seq NO. | Seq Qty | Adv ABM # | Steel Grade | Remarks |  | Tot.             | Mark  | Description | Length | Seq NO. | Seq Qty | Adv ABM # | Steel Grade | Remarks |  | Tot.             | Mark  | Description | Length | Seq NO. | Seq Qty | Adv ABM # | Steel Grade | Remarks |  |  |
| ONE              | R17   | BEAM        |        | 2       | 1       |           |             |         |  | 2                | R19   | BEAM        |        | 2       | 2       |           |             |         |  |                  | ONE   | R21         | BEAM   |         | 2       | 1         |             |         |  |  |
| 1                | R17   | C200x21     | 9780   |         |         |           | M270M-345   |         |  | 2                | R19   | C200x21     | 10053  |         |         |           | M270M-345   |         |  | 1                | R21   | C200x21     | 10052  |         |         |           | M270M-345   |         |  |  |
| 5                | a69   | L64x51x9.5  | 150    |         |         |           | M270M-345   |         |  | 4                | a73   | L64x51x9.5  | 10053  |         |         |           | M270M-345   |         |  | 2                | a72   | L64x51x9.5  | 10052  |         |         |           | M270M-345   |         |  |  |
| 5                | a70   | L64x51x9.5  | 150    |         |         |           | M270M-345   |         |  | ONE              | R20   | BEAM        |        | 2       | 1       |           |             |         |  | ONE              | R22   | BEAM        |        | 2       | 1       |           |             |         |  |  |
| ONE              | R18   | BEAM        |        | 2       | 1       |           |             |         |  | 1                | R20   | C200x21     | 11310  |         |         |           | M270M-345   |         |  | 1                | R22   | C200x21     | 9652   |         |         |           | M270M-345   |         |  |  |
| 1                | R18   | C200x21     | 9652   |         |         |           | M270M-345   |         |  | 2                | a71   | L64x51x9.5  | 11310  |         |         |           | M270M-345   |         |  | 2                | a72   | L64x51x9.5  | 9652   |         |         |           | M270M-345   |         |  |  |
| 2                | a78   | L64x51x9.5  | 9652   |         |         |           | M270M-345   |         |  | 1                | p51   | PL8x45      | 203    |         |         |           | M270M-345   |         |  | 1                | p43   | PL8x45      | 203    |         |         |           | M270M-345   |         |  |  |

Total weight : 2409

*Fabrication is not to be done by Renaud Bros. Have fabricator resubmit with name of fabricator on the drawings*

**Renaud Bros. Inc.**  
283 Fort Bridgeman Rd. #2  
Vernon, VT. 05354  
Phone 1-802 257-7383

Project: **DUMMERSTON BRIDGE**  
DUMMERSTON, VT

Date: 9-9-09  
Job No. BHO 1442 (28)  
Sheet No. 23

Holes: 21mm UNF  
Bolts: 19mm DIA. M164M-I GALV UNF  
Steel GR: M270M-GR345 UNF  
Paint: PER SPECS (GREEN) UNF  
Surface Prep: PER SPECS

Rev. No: \_\_\_\_\_ Date: \_\_\_\_\_  
DWN. BY: EG Checked: MRS