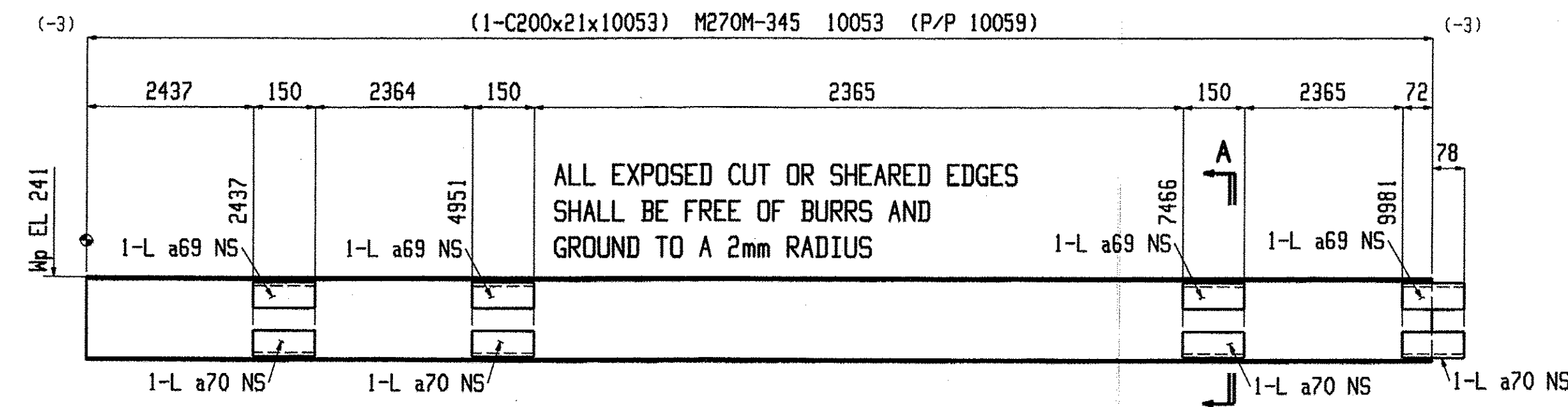


ONE BEAM R1

W|203x7.5
F|59.5x10
K|24x18

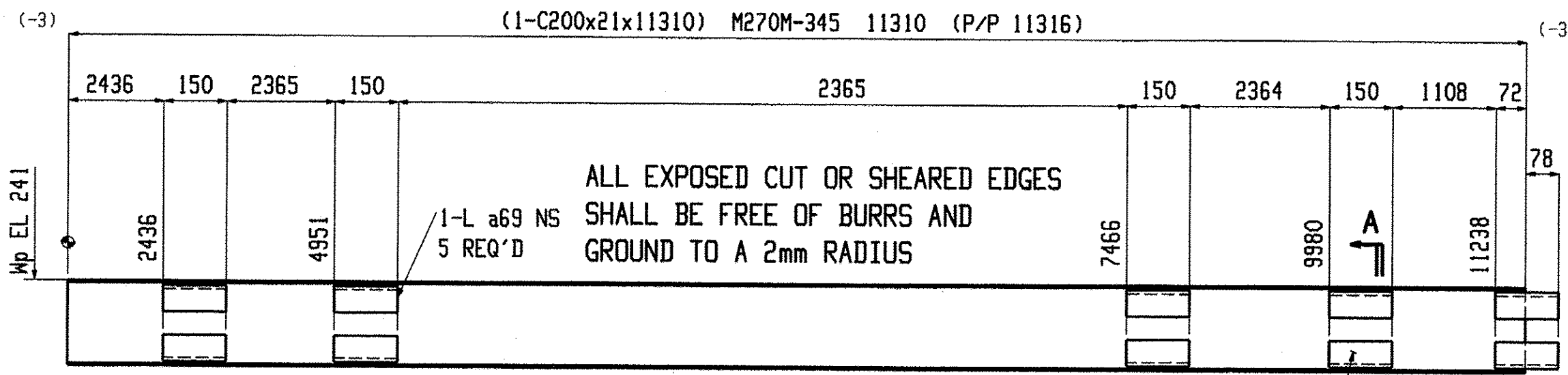
SHOP NOTE:
TOE DIRECTION NEAR SIDE



ONE BEAM R2

W|203x7.5
F|59.5x10
K|24x18

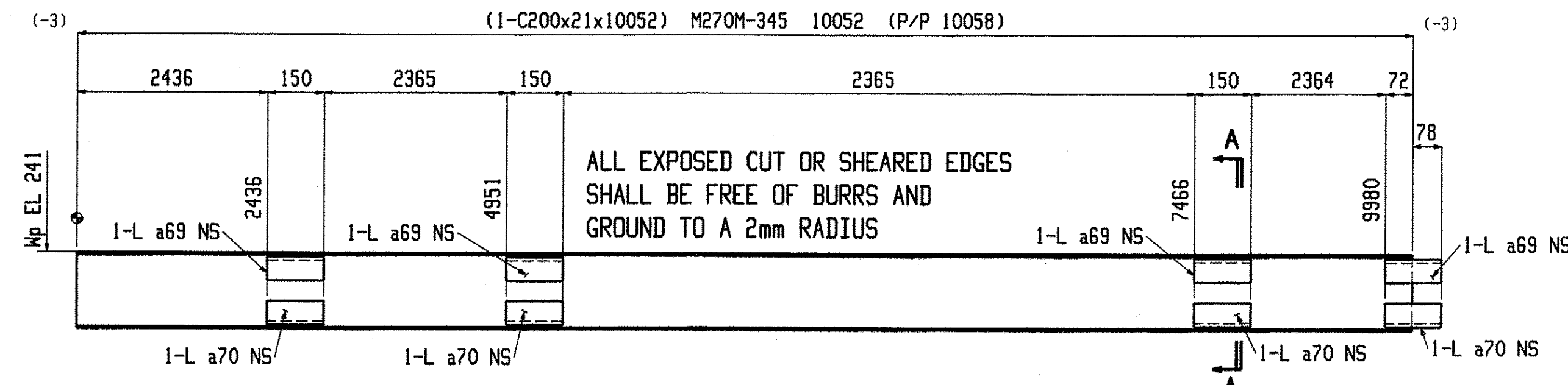
SHOP NOTE:
TOE DIRECTION NEAR SIDE



ONE BEAM R3

W|203x7.5
F|59.5x10
K|24x18

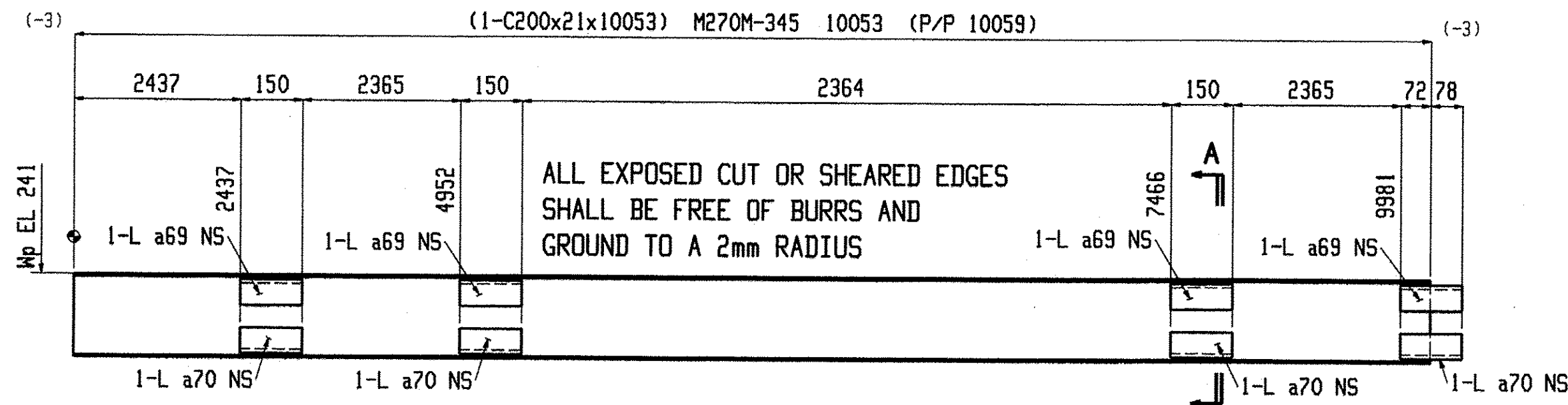
SHOP NOTE:
TOE DIRECTION NEAR SIDE



ONE BEAM R4

W|203x7.5
F|59.5x10
K|24x18

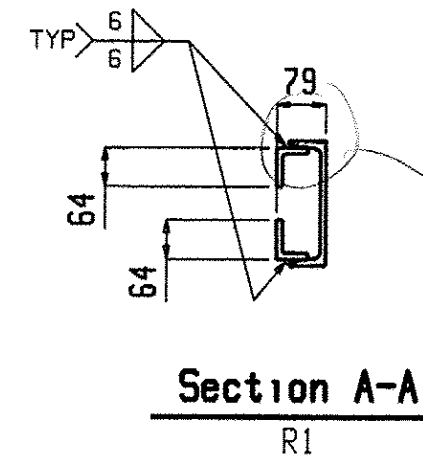
SHOP NOTE:
TOE DIRECTION NEAR SIDE



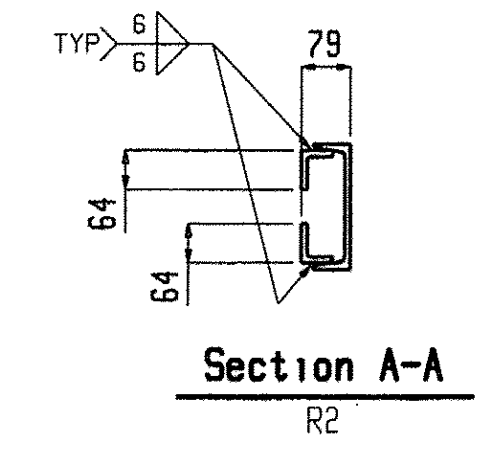
ONE BEAM R5

W|203x7.5
F|59.5x10
K|24x18

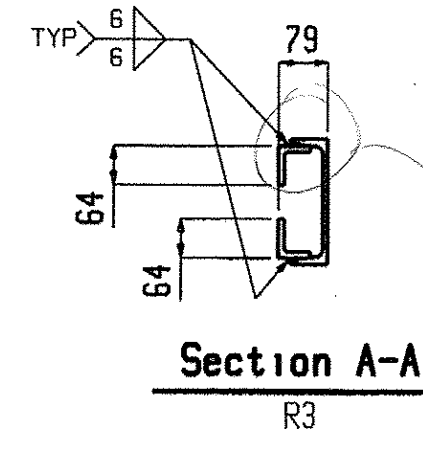
SHOP NOTE:
TOE DIRECTION NEAR SIDE



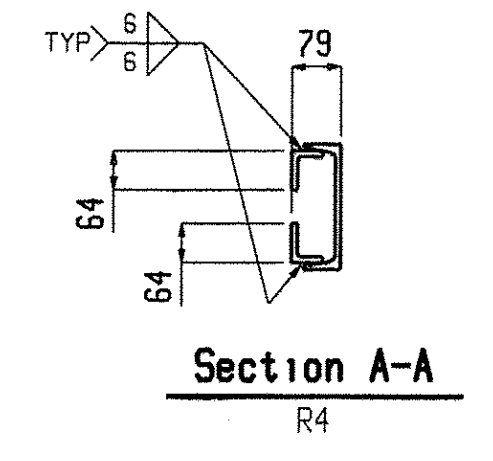
Section A-A
R1



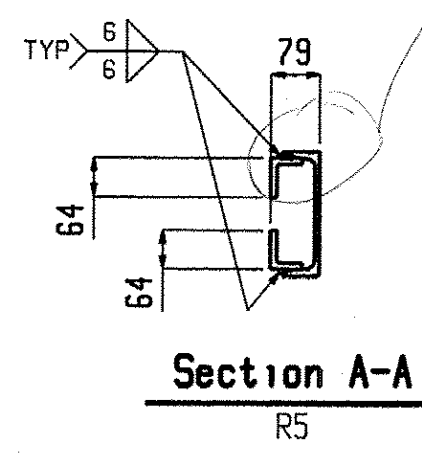
Section A-A
R2



Section A-A
R3



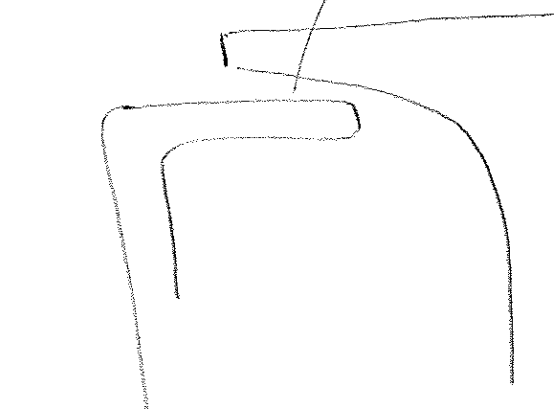
Section A-A
R4



Section A-A
R5

will this be a fillet weld?

weld type?



Fabrication is not to be done by Renaud Bros. Have fabricator resubmit with name of fabricator on sheets.

APPROVED
DATE 1/12/2010

BILL OF MATERIAL										BILL OF MATERIAL										BILL OF MATERIAL									
Qty	Piece									Qty	Piece									Qty	Piece								
Tot.	Mark	Description	Length	Seq NO.	Seq Qty	Adv ABM #	Steel Grade	Remarks		Tot.	Mark	Description	Length	Seq NO.	Seq Qty	Adv ABM #	Steel Grade	Remarks		Tot.	Mark	Description	Length	Seq NO.	Seq Qty	Adv ABM #	Steel Grade	Remarks	
ONE R1	BEAM			2	1					ONE R3	BEAM			2	1					ONE R5	BEAM			2	1				
1 R1	C200x21	9780					M270M-345			1 R3	C200x21	11310					M270M-345			1 R5	C200x21	10053					M270M-345		
5 a69	L64x51x9.5	150					M270M-345			5 a69	L64x51x9.5	150					M270M-345			4 a69	L64x51x9.5	150					M270M-345		
5 a70	L64x51x9.5	150					M270M-345			5 a70	L64x51x9.5	150					M270M-345			4 a70	L64x51x9.5	150					M270M-345		
ONE R2	BEAM			2	1					ONE R4	BEAM			2	1														
1 R2	C200x21	10053					M270M-345			1 R4	C200x21	10052					M270M-345												
4 a69	L64x51x9.5	150					M270M-345			4 a69	L64x51x9.5	150					M270M-345												
4 a70	L64x51x9.5	150					M270M-345																						

Total weight : 1100

Renaud Bros. Inc.
283 Fort Bridgeman Rd. #2
Vernon, VT. 05354
Phone 1-802 257-7383

Project: **DUMMERSTON BRIDGE**
DUMMERSTON, VT

Date: 9-9-09
DWN. BY: EG
Checked: MRS

Job No. 1340 1442 (28)
Sheet No. 20

Holes: 21mm UNF
Bolts: 19mm DIA. M164M-I GALV UNF
Steel GR: M270M-GR345 UNF
Paint: PER SPECS (GREEN) UNF
Surface Prep: PER SPECS

Nov 06 2009 10:55:40 AM