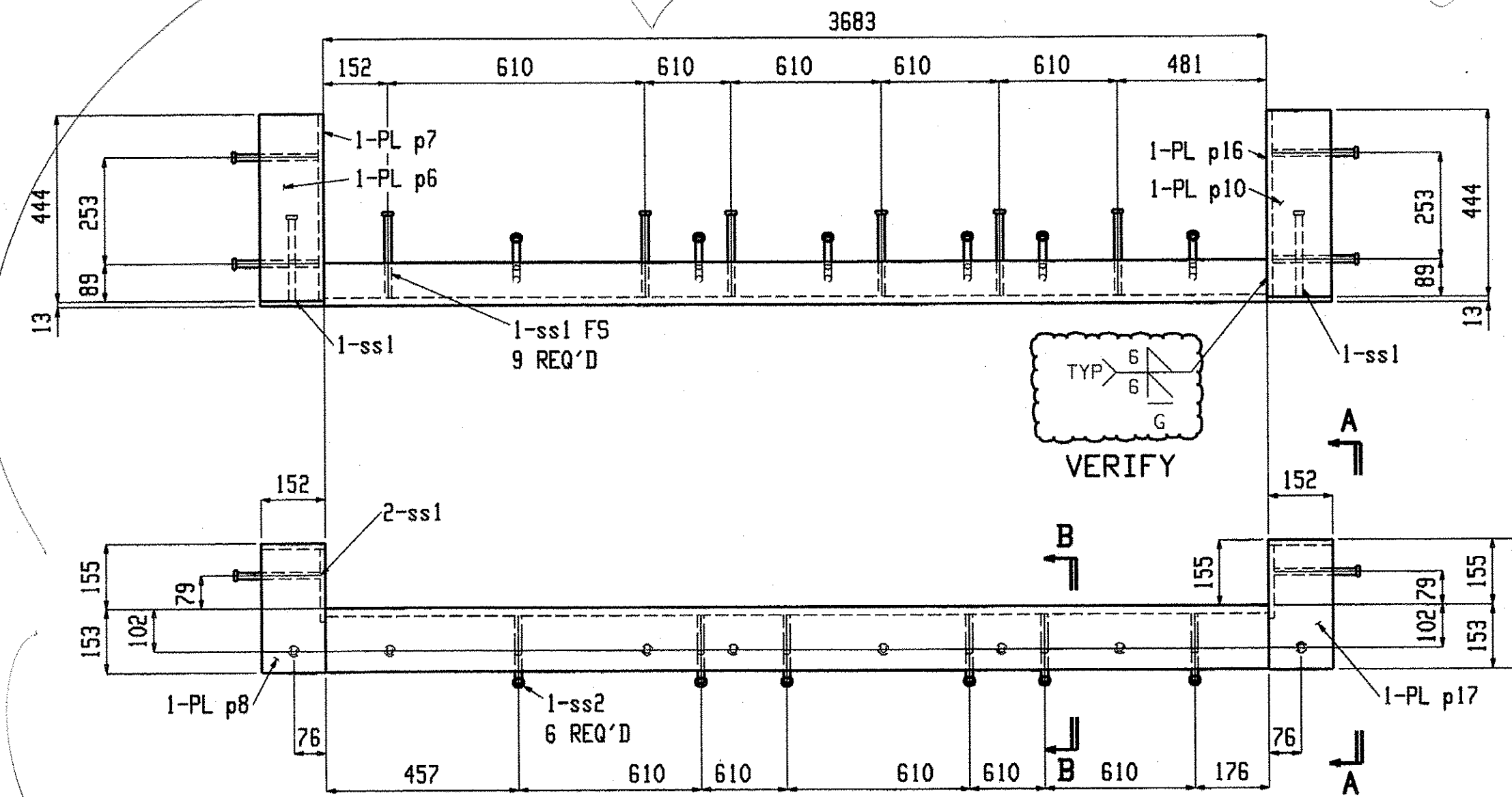
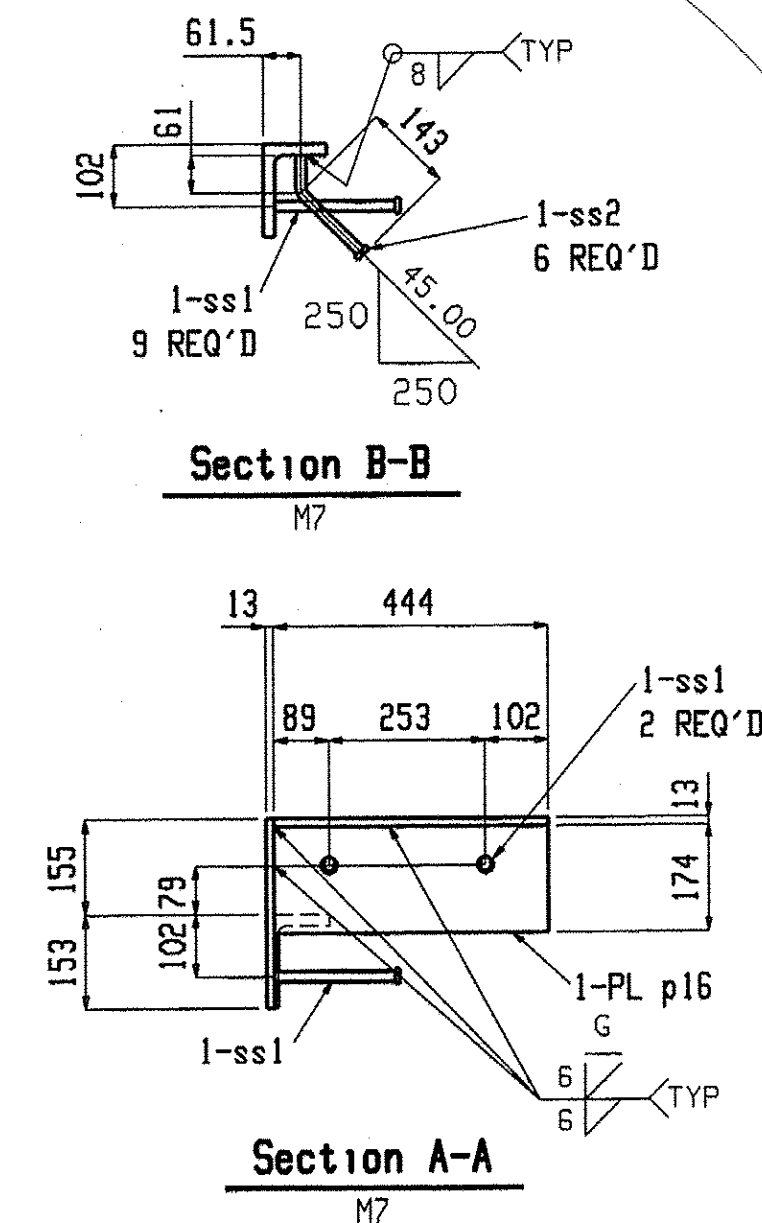


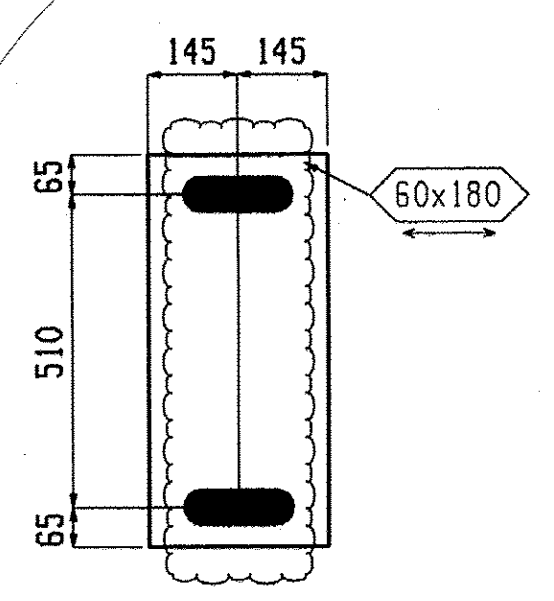
24 MISCS M6



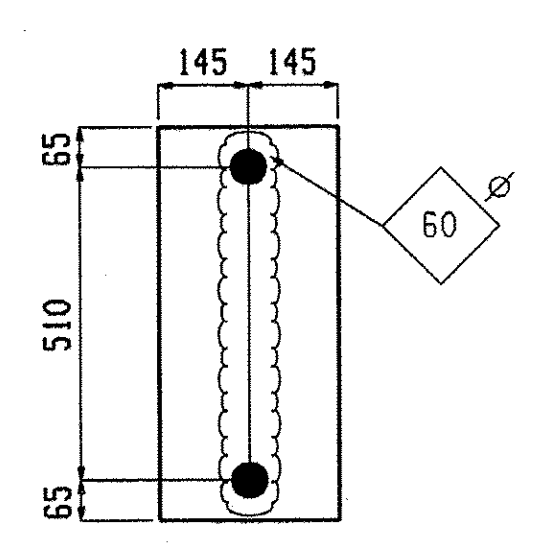
2 MISCS M7



These pieces are part of expansion joint item and drawings.



2 MISCS BRG1



2 MISCS BRG2

These pieces are part of the bearing device item and drawings.

BILL OF MATERIAL										BILL OF MATERIAL										BILL OF MATERIAL									
Qty	Piece			Seq	Seq	Adv	Steel		Remarks	Qty	Piece			Seq	Seq	Adv	Steel		Remarks	Qty	Piece			Seq	Seq	Adv	Steel		Remarks
Tot.	Mark	Description	Length	NO.	Qty	ABM #	Grade			Tot.	Mark	Description	Length	NO.	Qty	ABM #	Grade			Tot.	Mark	Description	Length	NO.	Qty	ABM #	Grade		
24	M6	MISC		1	24					2	p10	PL13x152	444				M270M-345			2	BRG1	PL20x290	640				M270M-345		
24	M6	L51x51x6.4	140				M270M-345			2	p8	PL13x152	308				M270M-345												
										2	p17	PL13x152	308				M270M-345												
2	M7	MISC		1	2					18	ss1	CP16	203				A108			2	BRG2	MISC		1	2				
2	M7	L152x102x19	3683				M270M-345			6	ss3	CP16	203				A108			2	BRG2	PL20x290	640				M270M-345		
2	p7	PL13x174	444				M270M-345			12	ss2	CP16	103				A108												
2	p16	PL13x174	444				M270M-345																						
2	p6	PL13x152	444				M270M-345			2	BRG1	MISC		1	2														

Need to separate cut beams as they are paid by weight. Other pieces are lump sum payment.

Total weight : 482

REVISIONS
 10/17/2009
 SECURITY APPROVED
 DATE 1/12/2010

Renaud Bros. Inc.		Holes: 21mm UNF	
283 Fort Bridgeman Rd. #2 Vernon, VT. 05354 Phone 1-802 257-7383		BOLTS: 19mm DIA. M164M-I GALV UNF	
Rev. No:		Steel GR: M270M-GR345 UNF	
Date: 9-9-09		Paint: PER SPECS (GREEN) UNF	
Job No. BHO 1412 (28)		Surface Prep: PER SPECS	
Project: DUMMERSTON BRIDGE DUMMERSTON, VT		DWN. BY: EG	
Checked: MRS		Sheet No. 4	

Nov 05 2009 10:54:37 AM