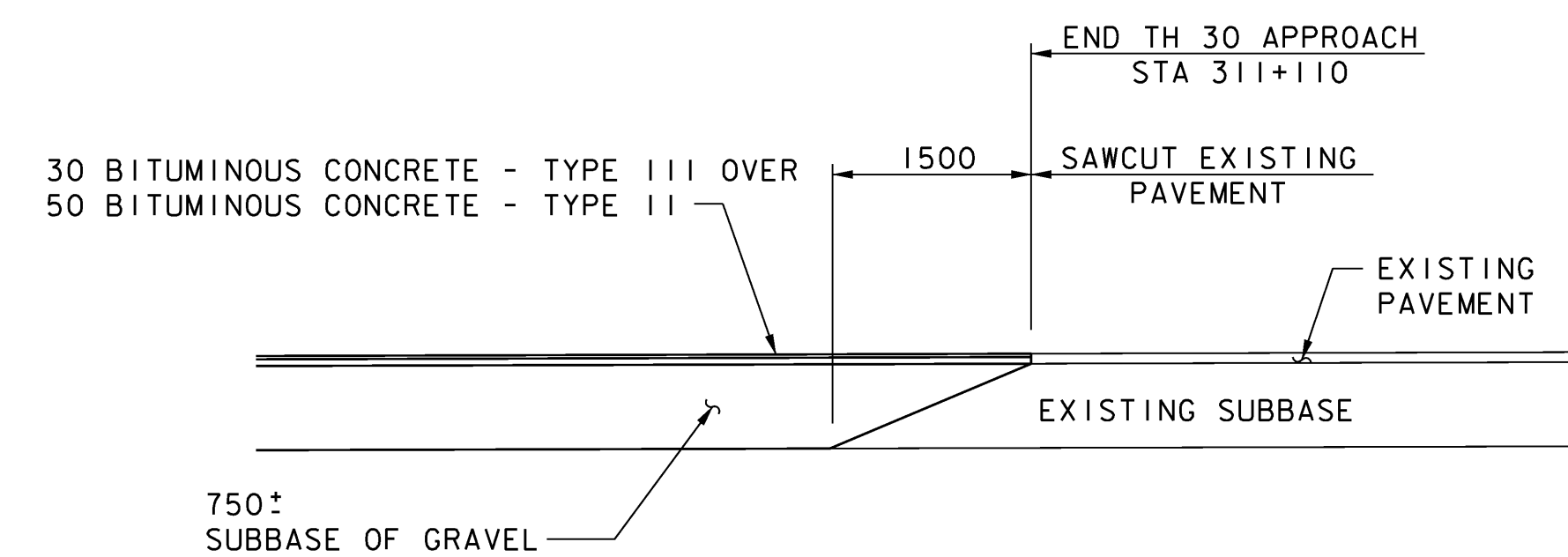
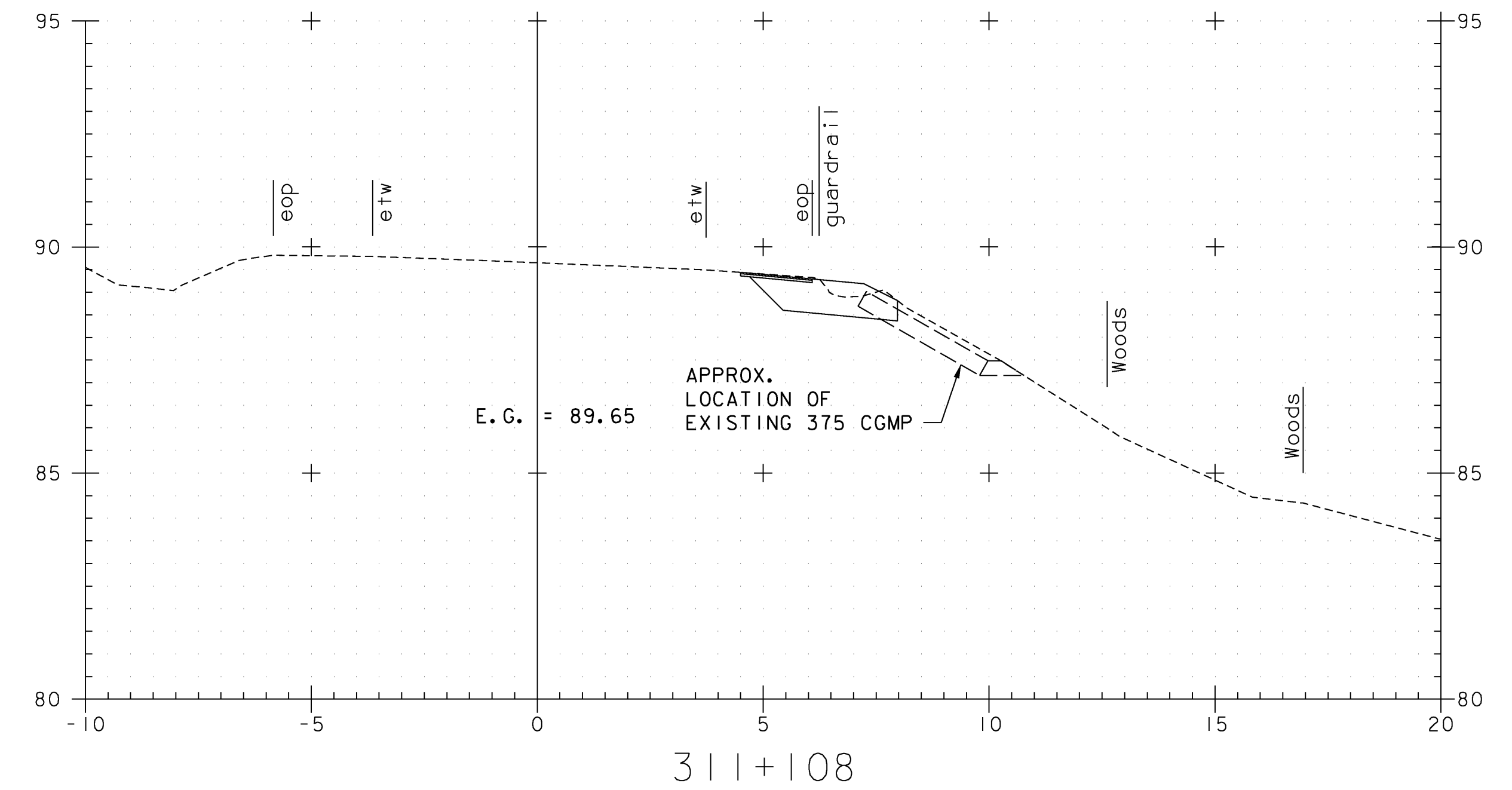
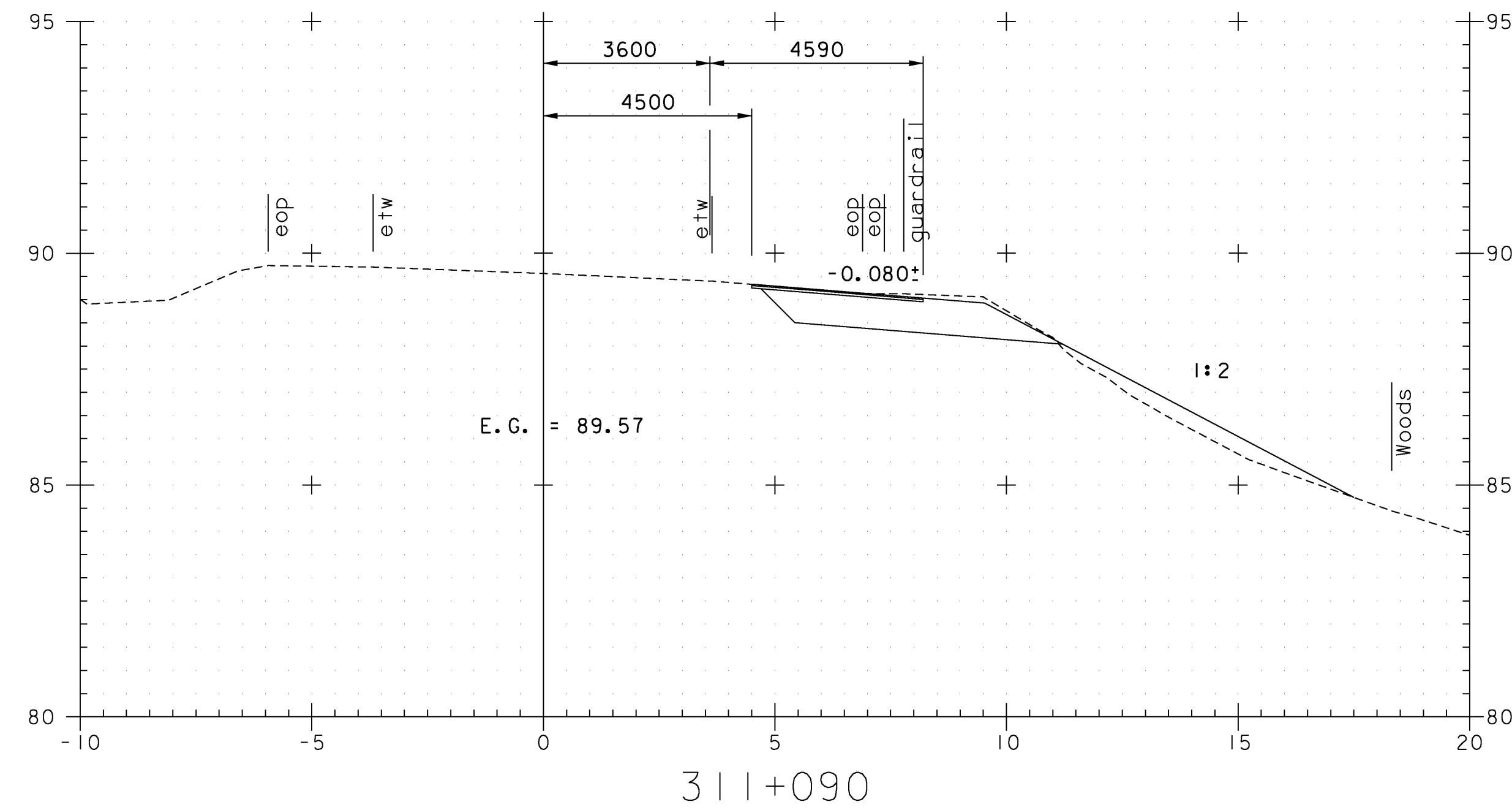
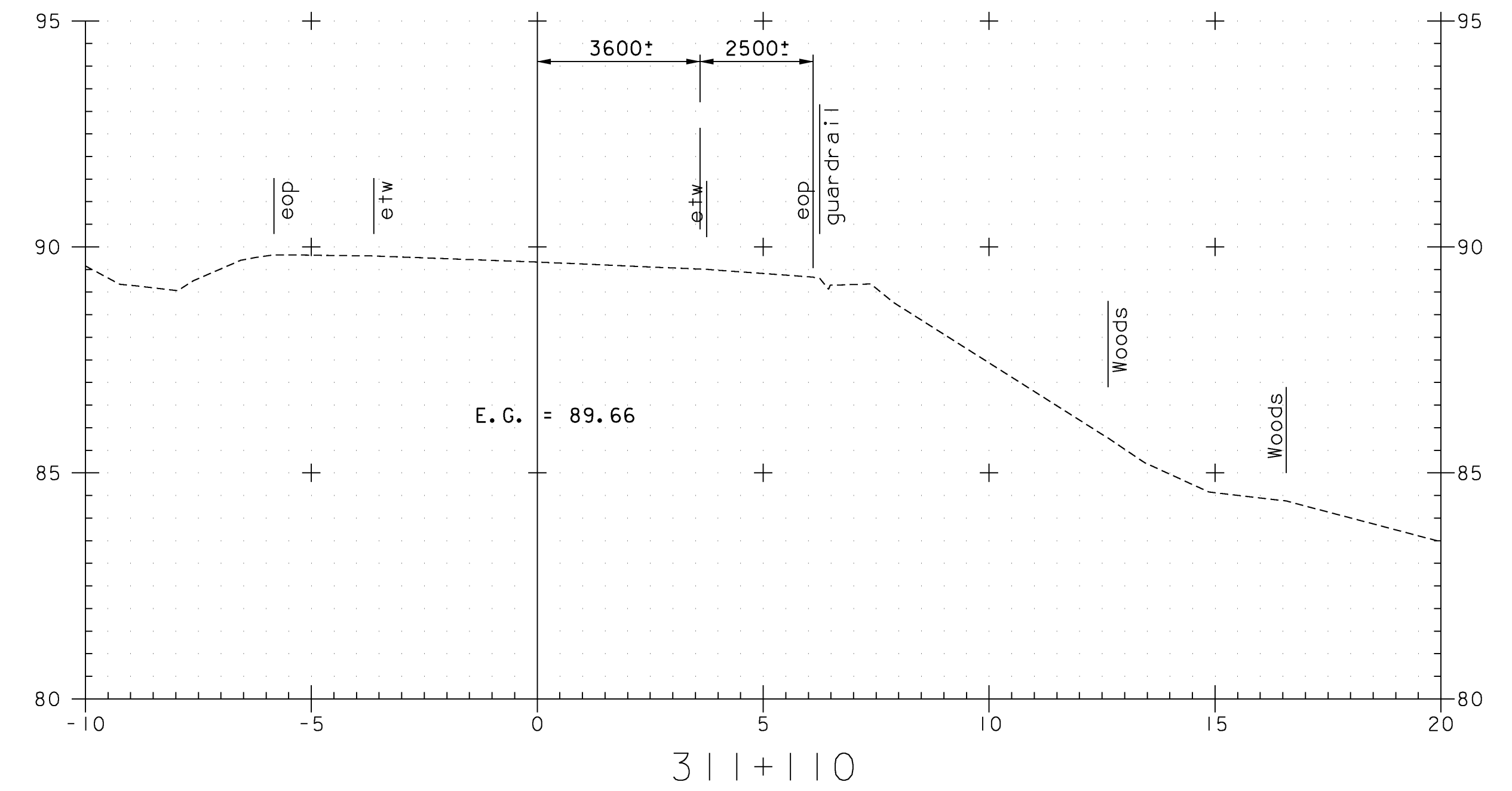
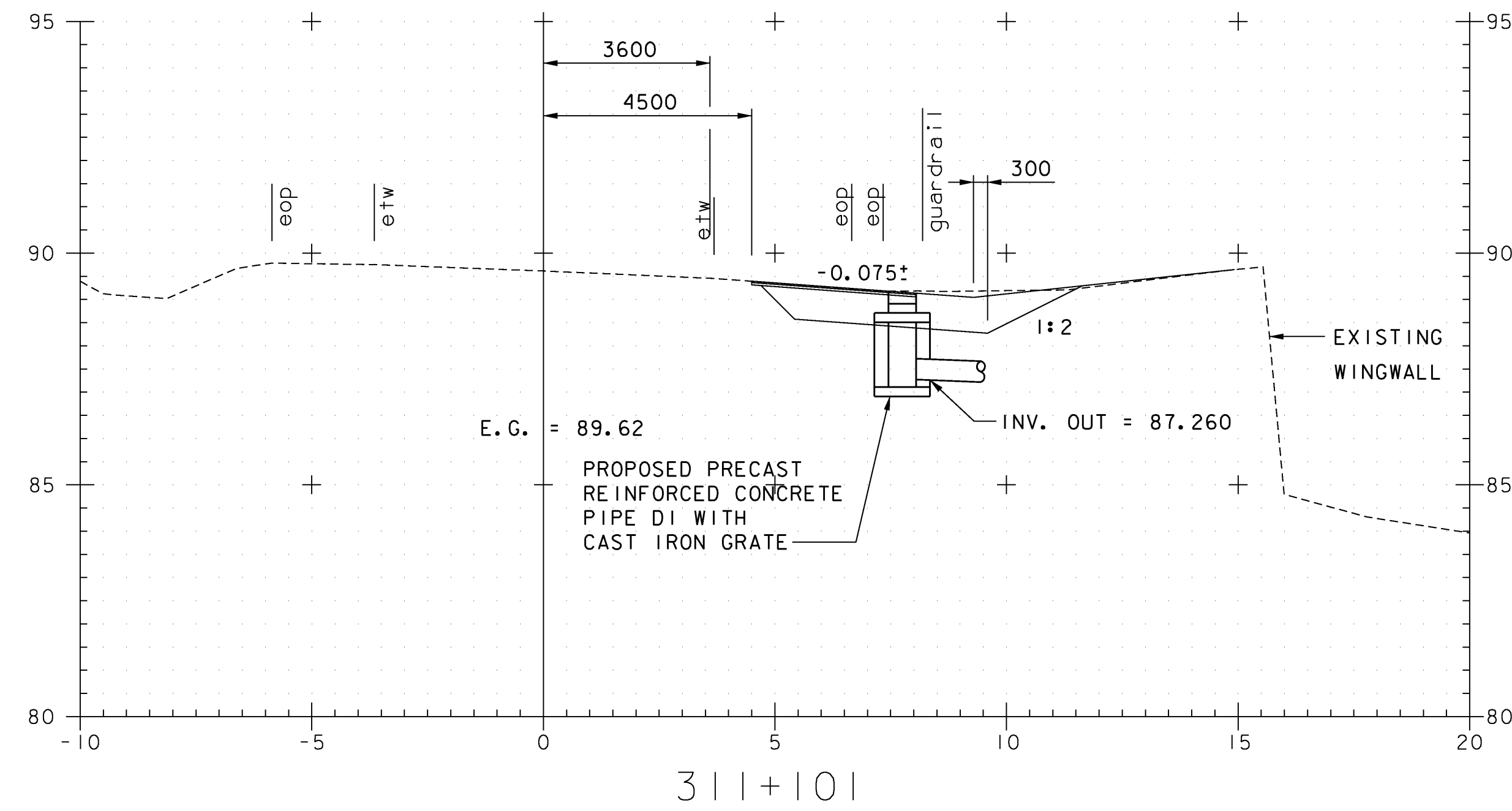
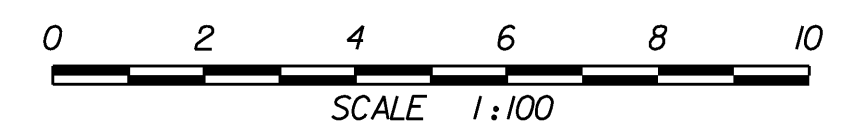


END TH 30 APPROACH  
STA 311+110  
MATCH EXISTING



VT 30 MATERIAL TRANSITION DETAIL  
NOT TO SCALE



VT 30

ROADWAY CROSS SECTION FROM STA 311+090 TO STA 311+110
PROJECT NAME DUMMERSTON
PROJECT NO. BHO 1442 (28)
SURVEYED BY VAOT 8/98
SHEET 38 OF 49

VANASSE HANGEN BRUSTLIN, INC.