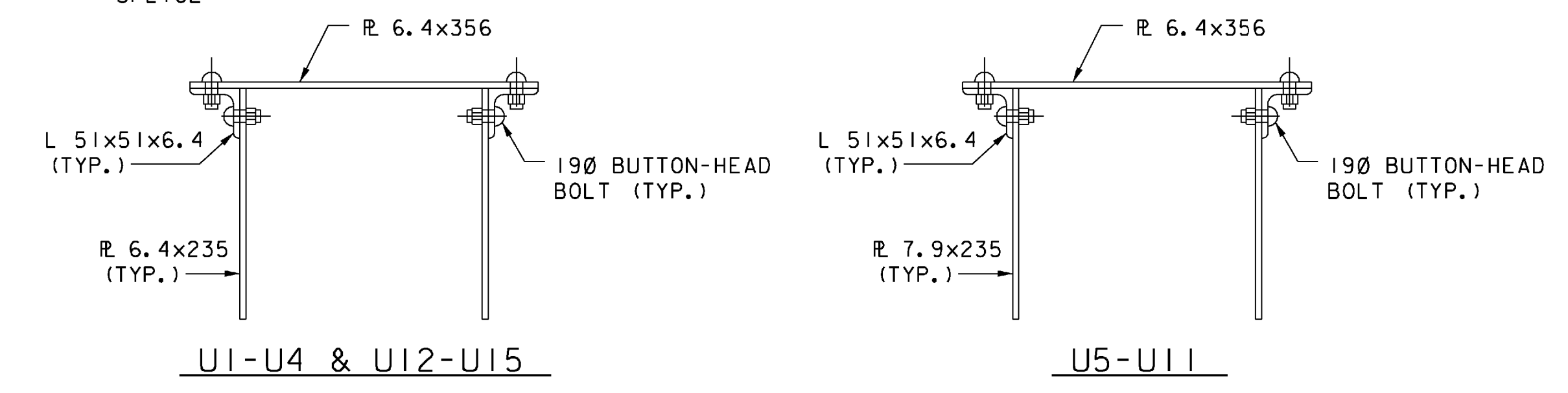


- NOTES:**
- DOWNSTREAM TRUSS ELEVATION (LOOKING UPSTREAM) SHOWN. ALL REHABILITATION ITEMS APPLY TO BOTH TRUSSES UNLESS OTHERWISE NOTED.
 - TRUSS IS SYMMETRICAL ABOUT PANEL POINT L8.
 - IN TRUSS REHABILITATION KEY:
 - (X) = REHABILITATION ITEMS
 - BOLD LINES INDICATE TRUSS MEMBER REPLACEMENTS

DIMENSIONS PROVIDED IN THESE PLANS SHALL NOT BE USED FOR FABRICATION PURPOSES. ALL NECESSARY DIMENSIONS AND CONFIGURATIONS SHALL BE DETERMINED FROM ACTUAL FIELD MEASUREMENTS.

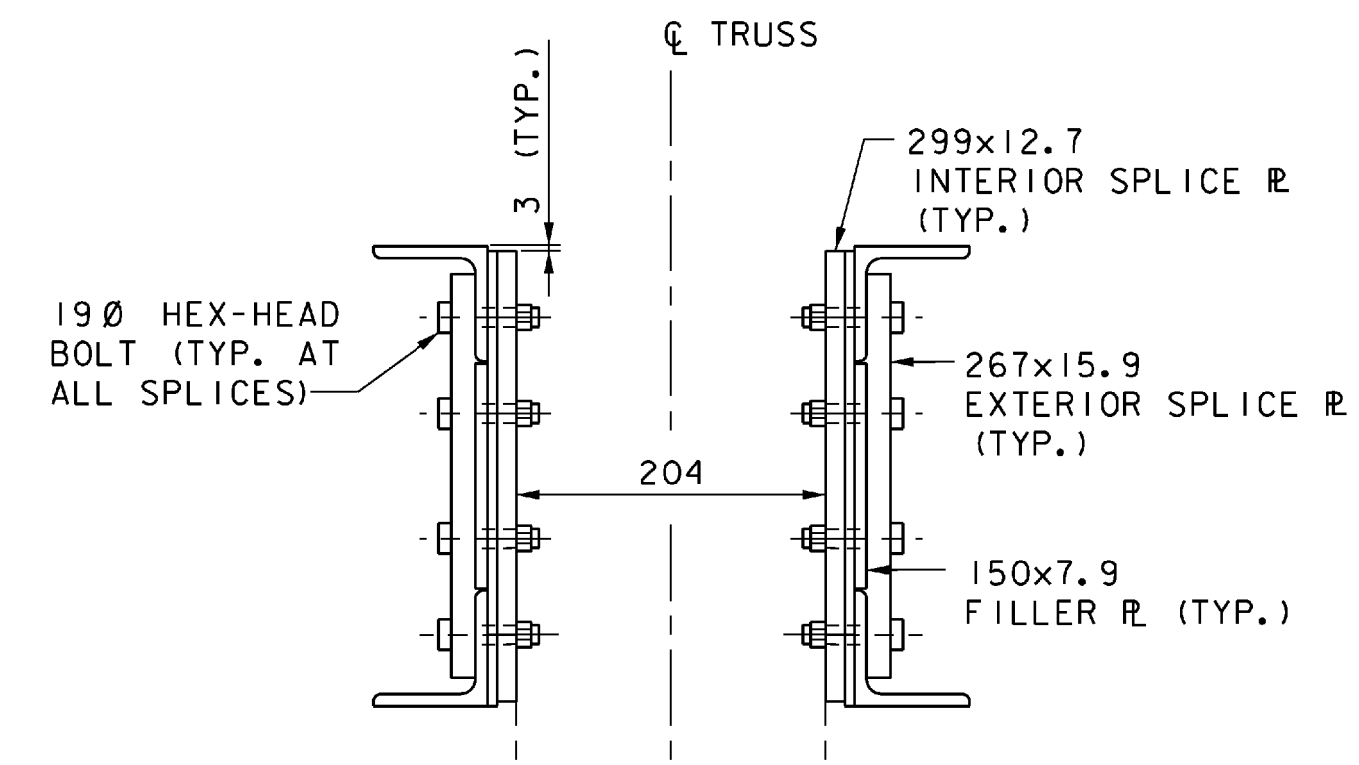
TRUSS REHABILITATION KEY
(SEE NOTE 1)
NOT TO SCALE

- ① REPLACE EXISTING MEMBER CONSISTING OF 2-L 89x64x6.4 AND 51x6.4 SINGLE LACING WITH NEW MEMBER CONSISTING OF 2-L 89x76x9.5 AND 64x6.4 SINGLE LACING.
- ② REPLACE EXISTING MEMBER CONSISTING OF 2-L 51x51x6.4 AND 352x121x6.4 STAY PLATES, WITH NEW MEMBER CONSISTING OF 2-L 76x76x6.4 AND 394x216x6.4 STAY PLATES.
- ③ REPLACE EXISTING MEMBERS CONSISTING OF 2-L 51x51x6.4 AND 352x121x6.4 STAY PLATES, WITH NEW MEMBERS CONSISTING OF 2-L 76x76x6.4 AND 64x6.4 SINGLE LACING.
- ④ REPLACE ALL TRUSS END POSTS.
- ⑤ REPLACE ENTIRE BOTTOM CHORD.
- ⑥ REPLACE EXISTING MEMBER CONSISTING OF 2-L 51x51x6.4 AND 352x121x6.4 STAY PLATES IN-KIND.
- ⑦ REPLACE ALL RIVETS WITH HEX-HEAD H.S. BOLTS IN L1-U3 AND L15-U13 TO TOP CHORD CONNECTIONS.
- ⑧ REPLACE EXISTING 159x356x6.4 TOP PLATE OF TOP CHORD SPLICE PLATE AT U13 IN-KIND, DOWNSTREAM TRUSS ONLY.
- ⑨ REPLACE ALL FLOORBEAMS WITH NEW W 250x67 FLOORBEAMS.
- ⑩ REPLACE EXISTING 64 STEEL GRID DECK WITH NEW 89 STEEL GRID DECK.
- ⑪ REPLACE ALL BOTTOM LATERAL BRACING.
- ⑫ INSTALL NEW EXPANSION BEARINGS.
- ⑬ INSTALL NEW FIXED BEARINGS.
- ⑭ ADDITION OF NEW 1/4" TOP PLATE, UPSTREAM + DOWNSTREAM TRUSS.
- ⑮ NEW ANGLES ADDED TOP AND BOTTOM OF TOP CHORD, UPSTREAM TRUSS TO HELP STABILIZE/REPAIR BUCKLED AREA. (SEE SHEET 17A)

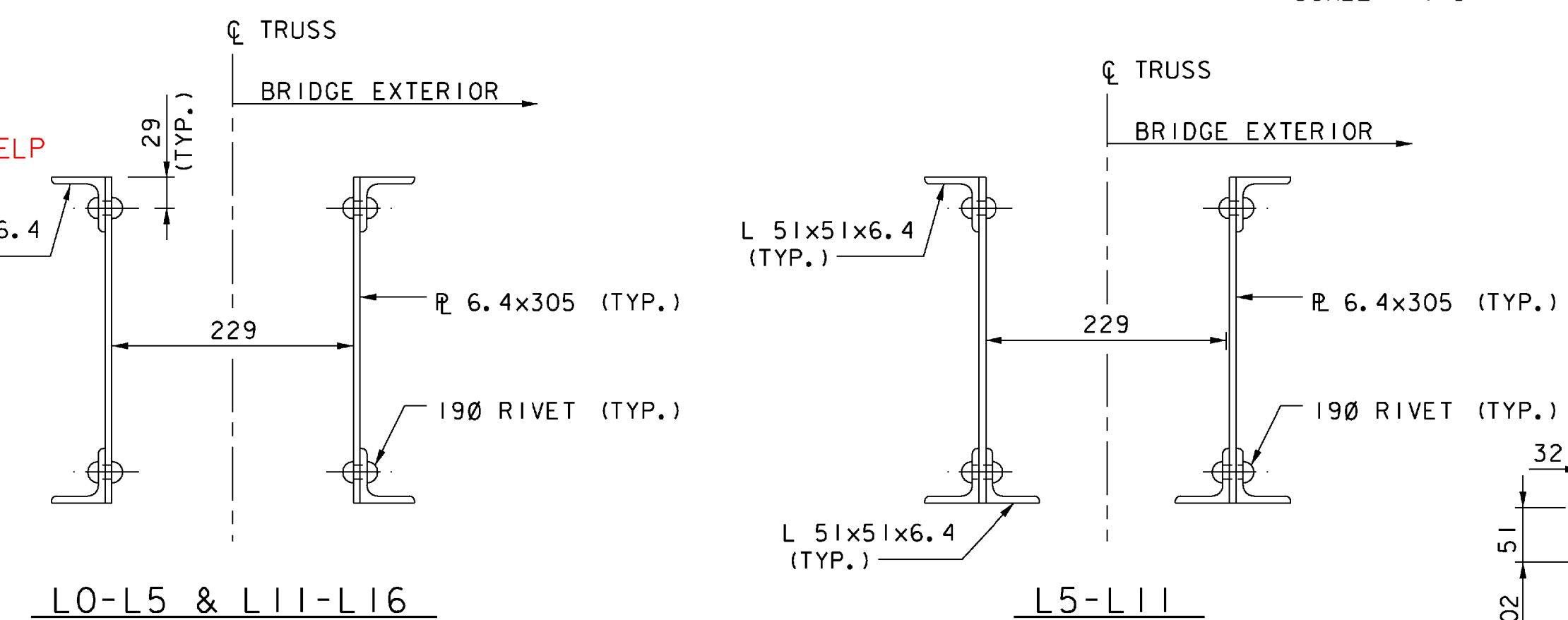


EXISTING TOP CHORD SECTION
SCALE: 1:5

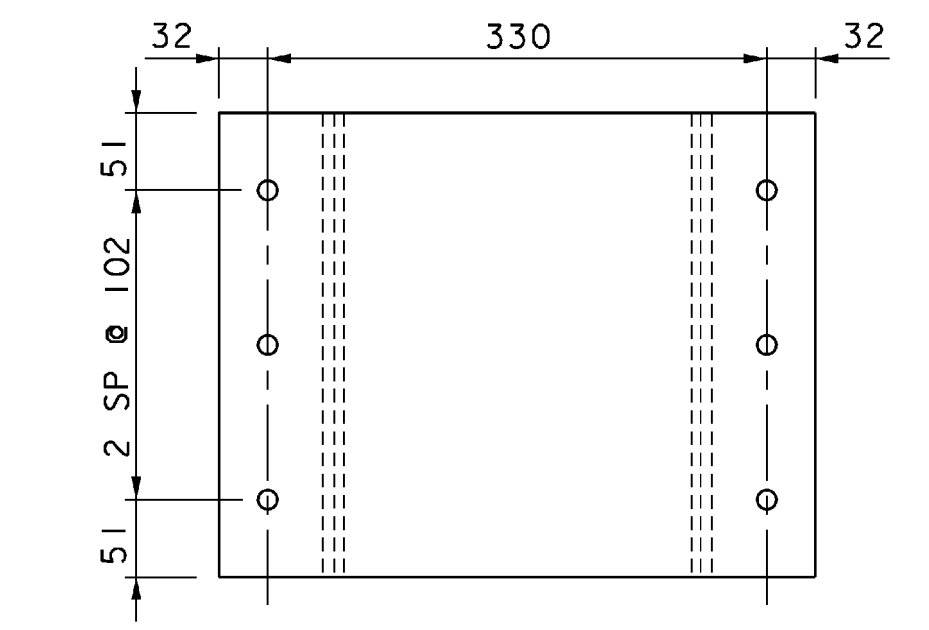
NEW STEEL MEMBERS ADDED TO PORTAL PIECES LOCATED AT PANEL POINT U1, AND U15. (CONNECTING UPSTREAM AND DOWNSTREAM TRUSS)
SEE SHEET 17B AND 17C FOLDER FOR PIECE SIZES



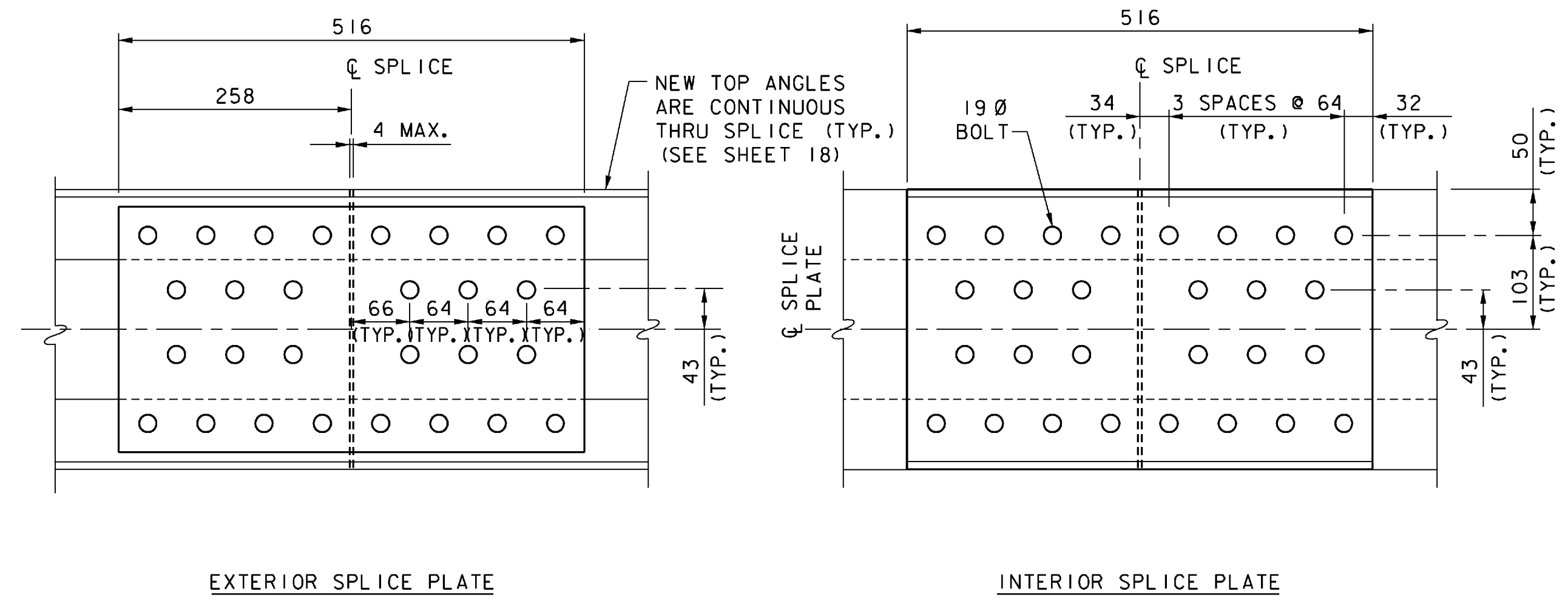
NEW TYPICAL SECTION AT SPLICE
SCALE: 1:5



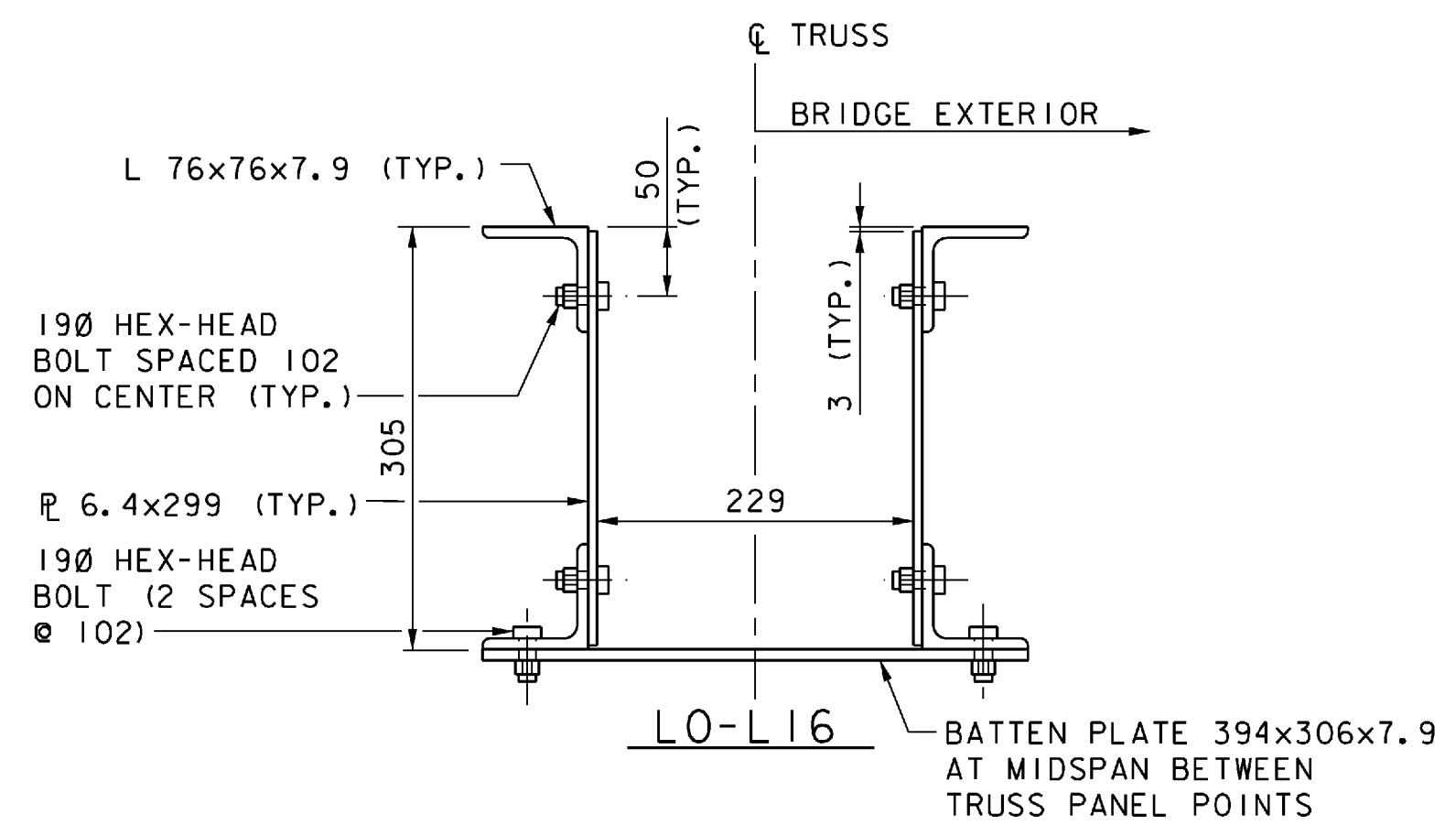
EXISTING BOTTOM CHORD SECTIONS
SCALE: 1:5



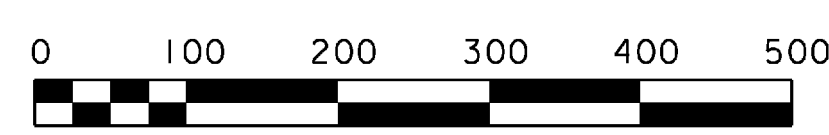
NEW BATTEN PLATE ON BOTTOM CHORD
SCALE: 1:5



NEW BOTTOM CHORD SPLICE DETAILS
SCALE: 1:5



NEW BOTTOM CHORD SECTION
SCALE: 1:5



STATE OF VERMONT AGENCY OF TRANSPORTATION	
Town Of DUMMERSTON	Bridge No. 37
Highway No. TH 62	Log Sta. _____ Surv. Sta. _____
TH 62 OVER WEST RIVER	
TRUSS REHABILITATION KEY & DETAILS	
Designed By T. S. BRYANT	Drawn By C. L. CILLEY
Checked By S. M. HODGDON	Bridge Design Supervisor
Date 4/09	Date 4/09
PROJECT DUMMERSTON	PROJECT NO. BHO 1442 (28)
I.G.C. Info.	
Bridge Sheet No. ZJ080SS1	Sheet 17 of 49