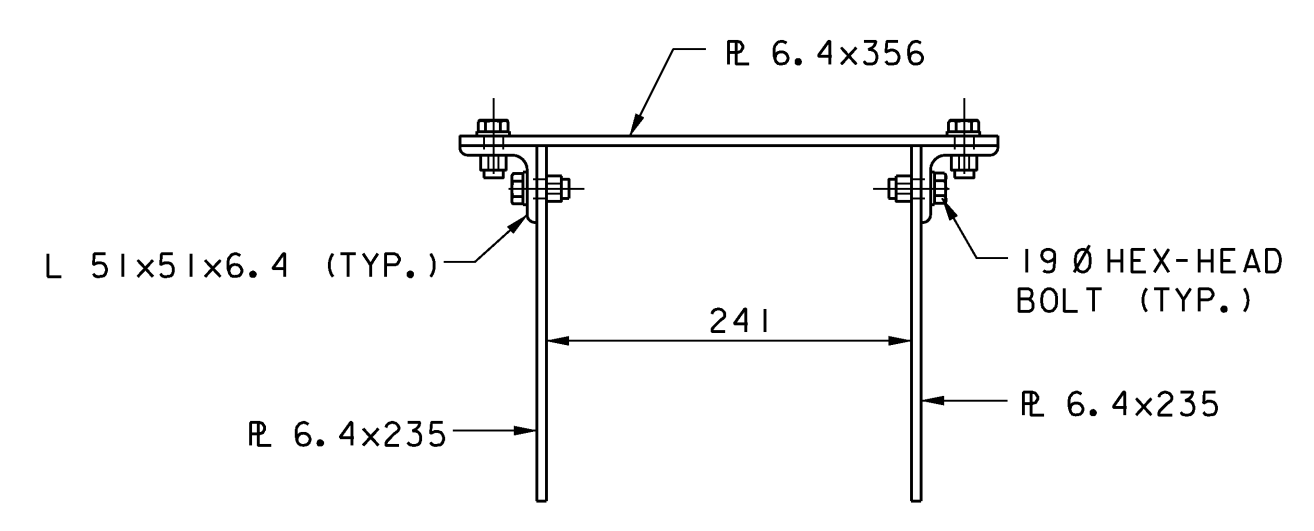
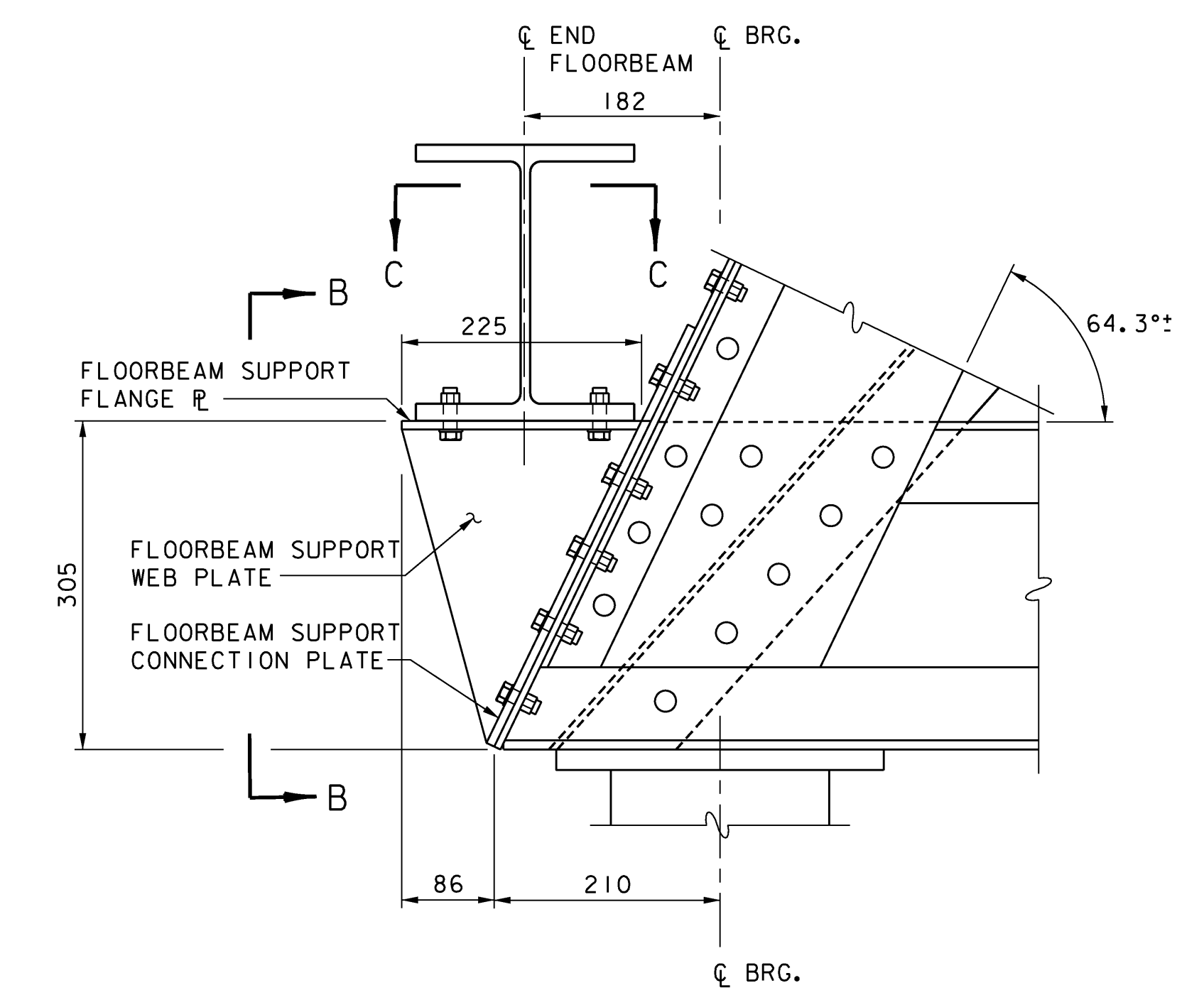


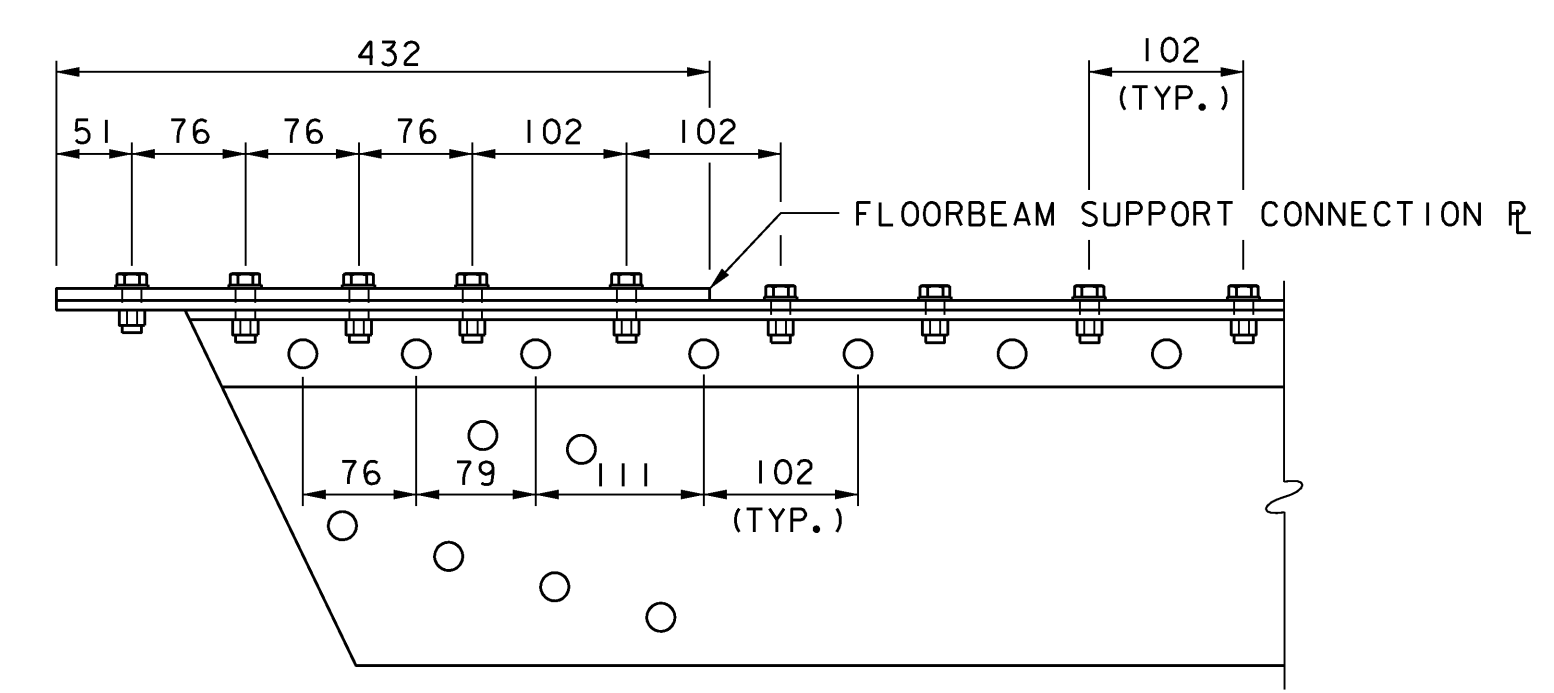
TYPICAL TRUSS END DETAIL
SCALE: 1:10



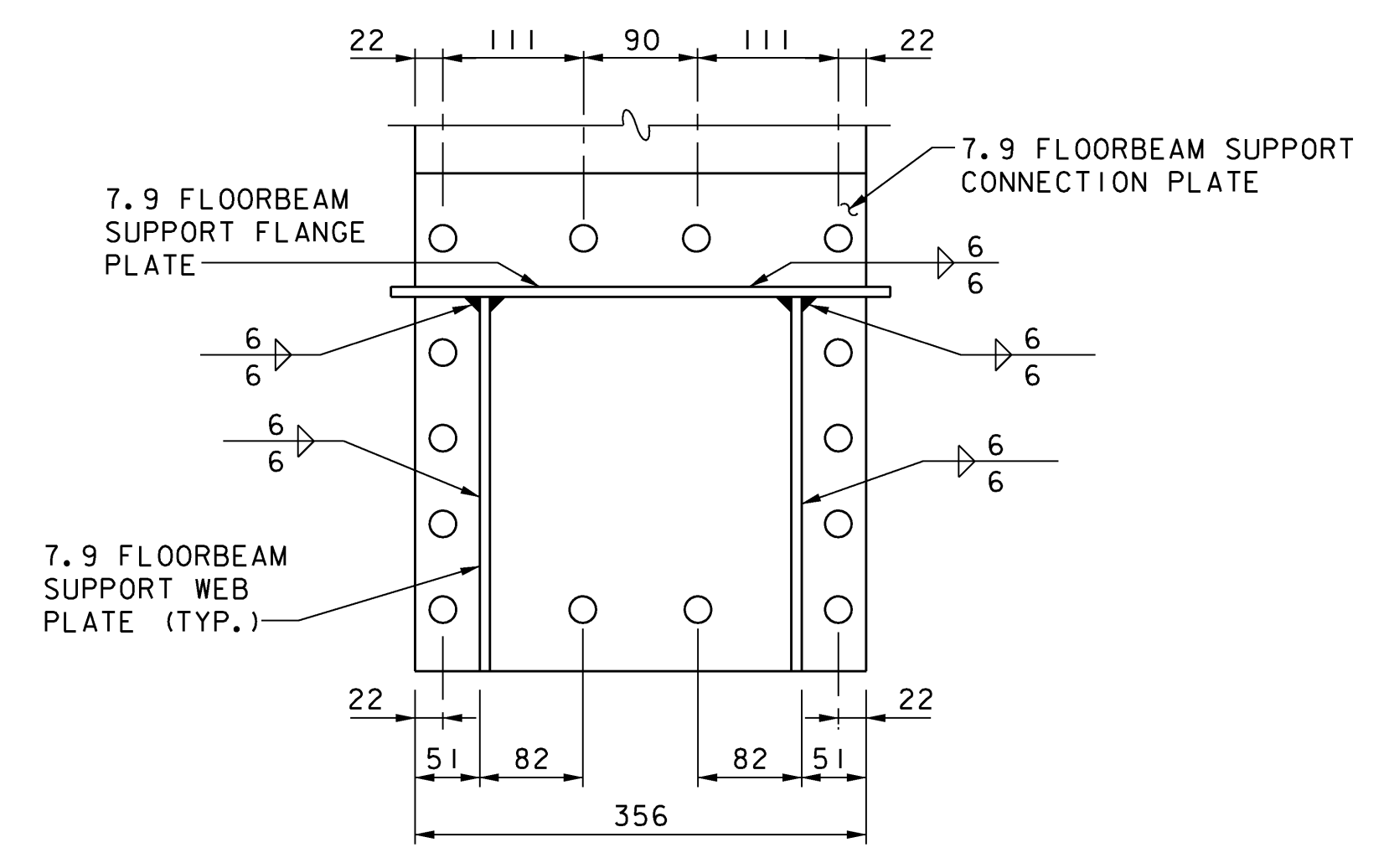
SECTION A-A
(BATTEN PLATE NOT SHOWN)
SCALE: 1:5



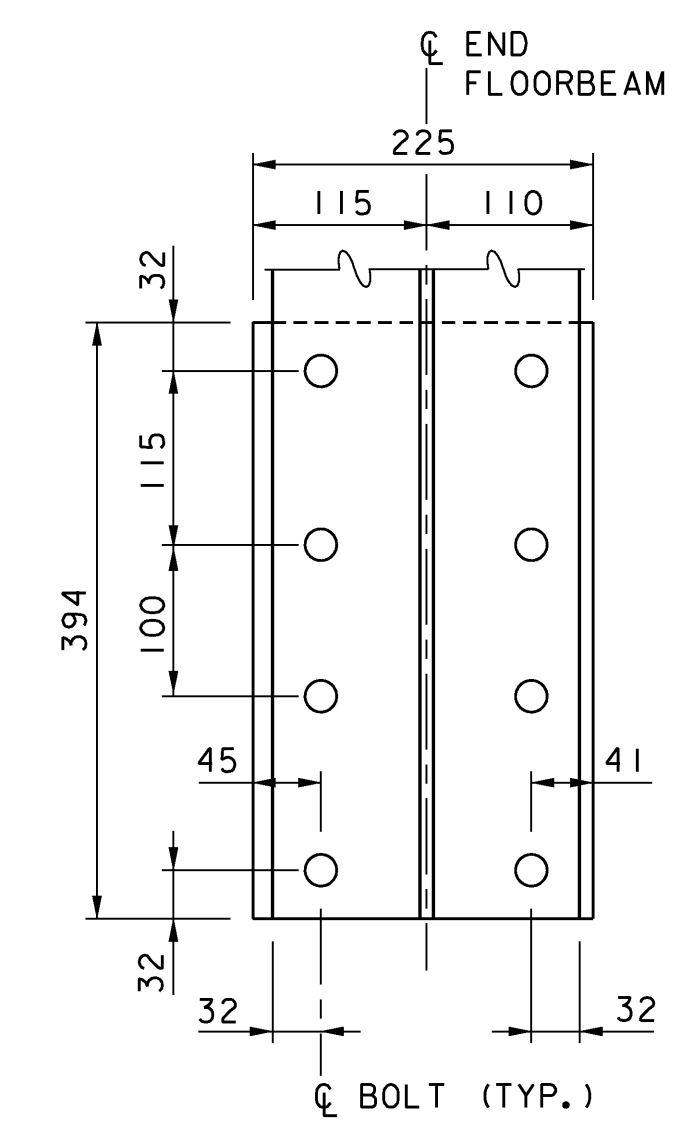
DETAIL A
SCALE: 1:5



LOWER END POST DETAIL
SCALE: 1:5



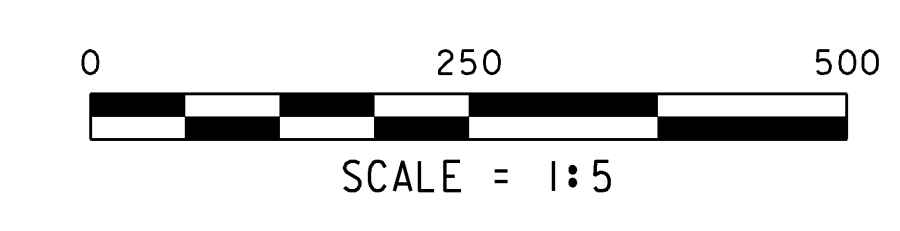
VIEW B-B
SCALE: 1:5



SECTION C-C
SCALE: 1:5

NOTES:
1. BOLT HOLES IN BOTTOM CHORD NOT SHOWN EXCEPT FOR CONNECTIONS TO TRUSS DIAGONALS.

DIMENSIONS PROVIDED IN THESE PLANS SHALL NOT BE USED FOR FABRICATION PURPOSES. ALL NECESSARY DIMENSIONS AND CONFIGURATIONS SHALL BE DETERMINED FROM ACTUAL FIELD MEASUREMENTS.



VANASSE HANGEN BRUSTLIN, INC.

**STATE OF VERMONT
AGENCY OF TRANSPORTATION**

Town Of	DUMMERSTON	Bridge No.	37
Highway No.	TH 62	Log Sta.	
		Surv. Sta.	
TH 62 OVER WEST RIVER			
TRUSS END DETAILS			
Designed By	T. S. BRYANT	Drawn By	M. M. LANDRY
Checked By	Date	Bridge Design Supervisor	
S. M. HODGDON	4/09	S. M. HODGDON	Date 4/09
PROJECT	DUMMERSTON	PROJECT NO.	BHO 1442 (28)
I.G.C. Info.			
Bridge Sheet No.	ZJ080SS2	Sheet	21 of 49