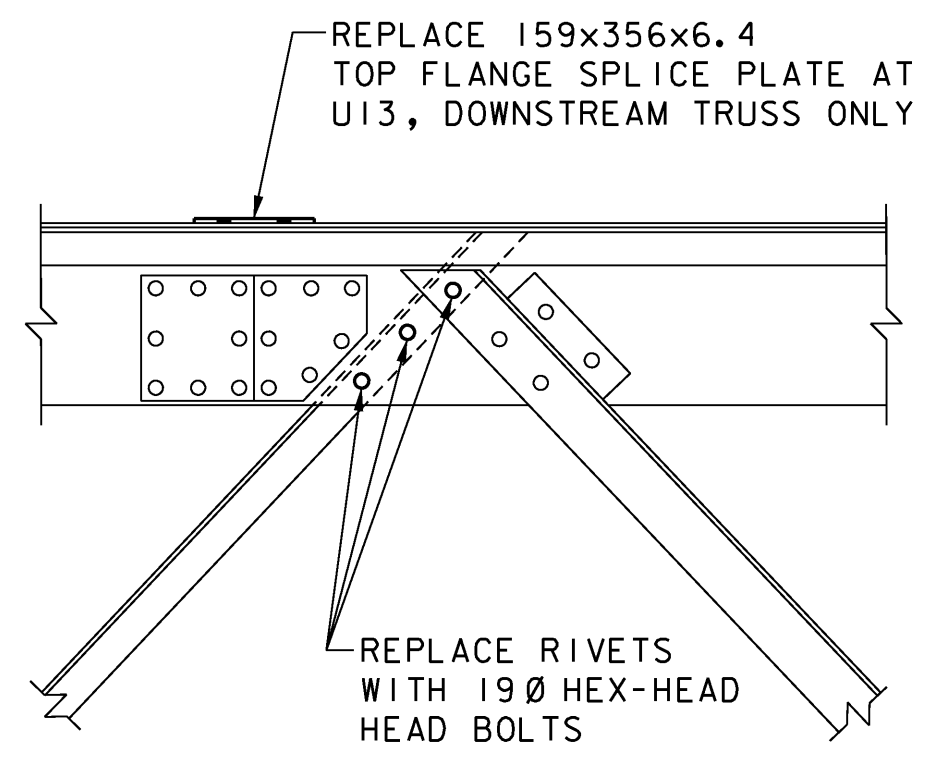
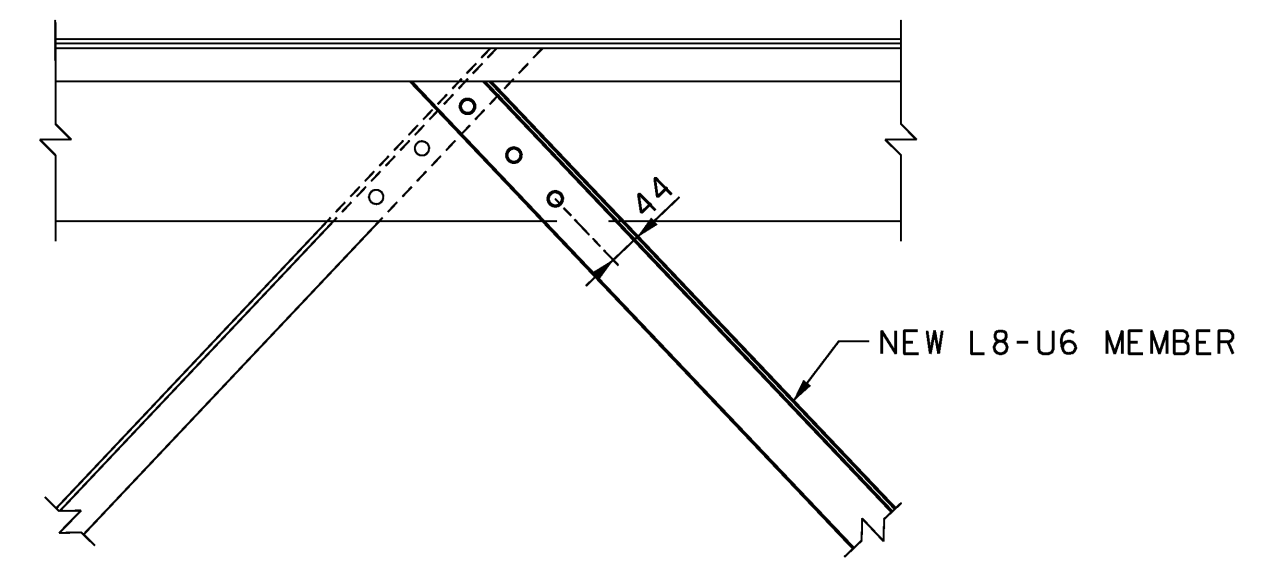


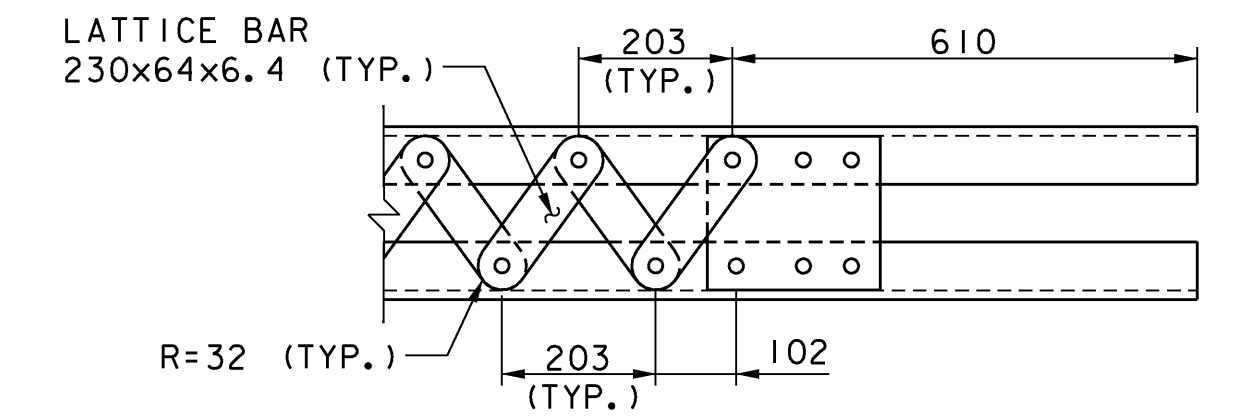
(BATTEN PLATES AND LATTICE BARS NOT SHOWN FOR CLARITY)  
**PANEL POINT U2**  
 (U14 SIMILAR, OPPOSITE HAND)



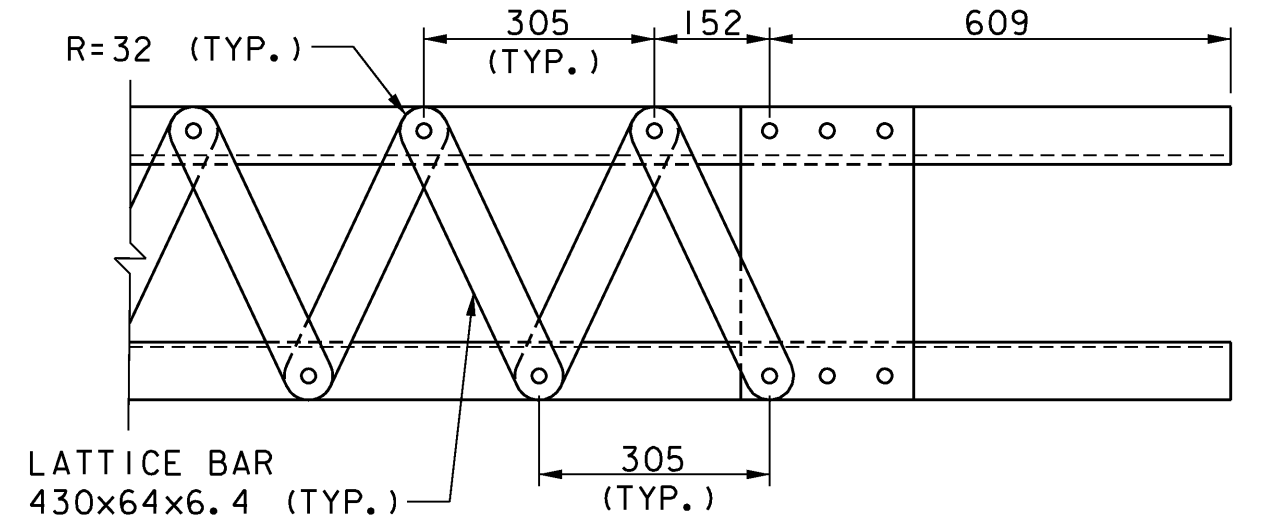
(BATTEN PLATES AND LATTICE BARS NOT SHOWN FOR CLARITY)  
**PANEL POINT U3**  
 (U13 SIMILAR, OPPOSITE HAND)



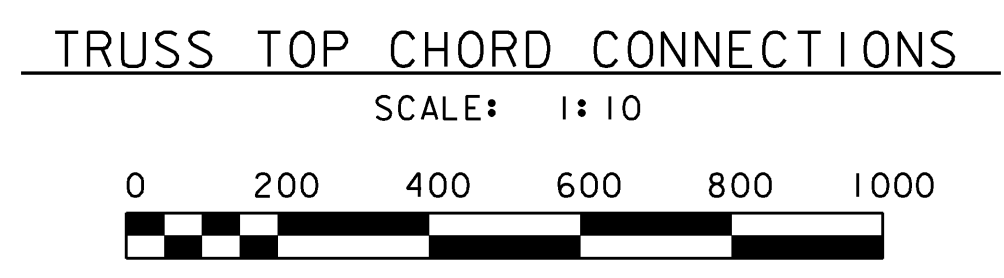
(BATTEN PLATES AND LATTICE BARS NOT SHOWN FOR CLARITY)  
**PANEL POINT U6**  
 (U10 SIMILAR, OPPOSITE HAND)



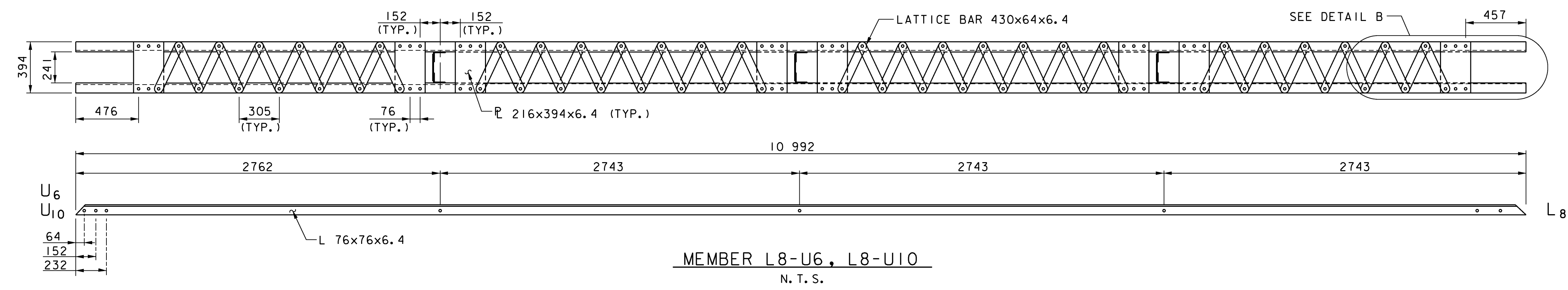
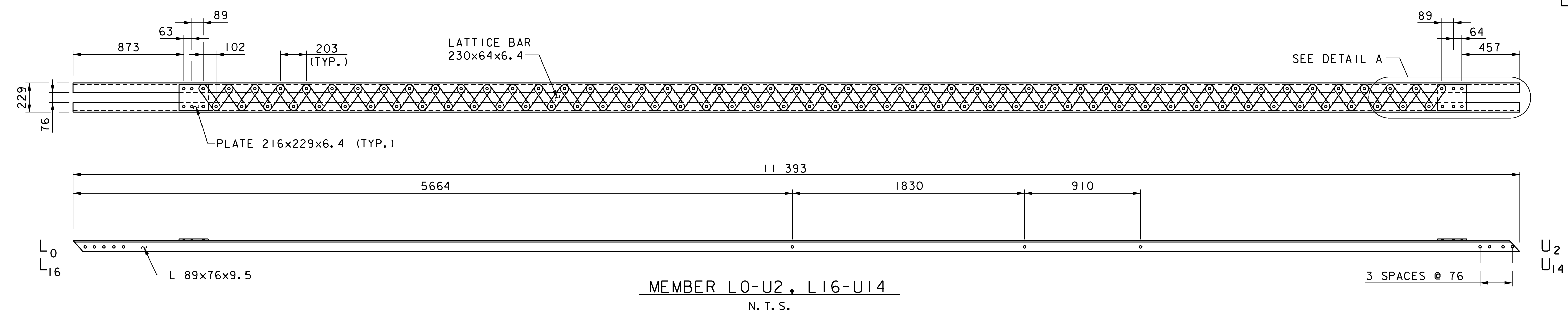
**DETAIL A**  
 N. T. S.



**DETAIL B**  
 N. T. S.



DIMENSIONS PROVIDED IN THESE PLANS SHALL NOT BE USED FOR FABRICATION PURPOSES. ALL NECESSARY DIMENSIONS AND CONFIGURATIONS SHALL BE DETERMINED FROM ACTUAL FIELD MEASUREMENTS.



- NOTES:**
1. NEW TRUSS DIAGONAL MEMBERS SHALL BE CONNECTED TO TRUSS TOP CHORD WITH 19Ø HEX-HEAD BOLTS IN EXISTING RIVET HOLES.
  2. BATTEN PLATES AND LATTICE BARS SHALL BE CONNECTED WITH 19Ø SLOTTED BUTTON HEAD BOLTS.

<b>STATE OF VERMONT AGENCY OF TRANSPORTATION</b>			
Town Of	DUMMERSTON	Bridge No.	37
Highway No.	TH 62	Log Sta.	
		Surv. Sta.	
TH 62 OVER WEST RIVER			
<b>TRUSS DIAGONAL DETAILS (SHEET 1 OF 2)</b>			
Designed By	T. S. BRYANT	Drawn By	B. J. MASSE
Checked By	Date	Bridge Design Supervisor	
S. M. HODGDON	4/09	S. M. HODGDON	Date 4/09
PROJECT	DUMMERSTON	PROJECT NO.	BHO 1442 (28)
I.G.C. Info.			
Bridge Sheet No.	ZJ080DT3	Sheet	19 of 49