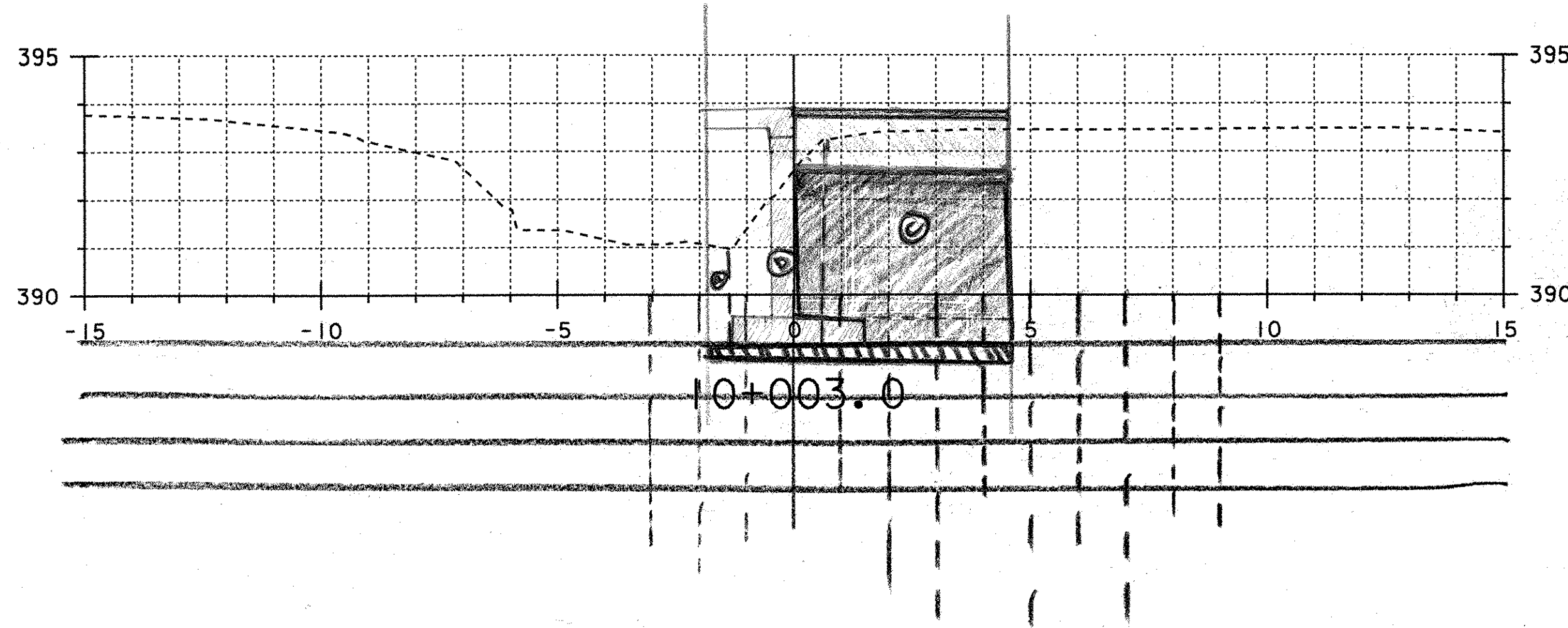


GRANULAR BACKFILL FOR STRUCTURES

$4.5 \text{ m} \times 3.1 \text{ m} = 13.95 \text{ sm}$
3/26/05

COFFERDAM EXCAVATION:

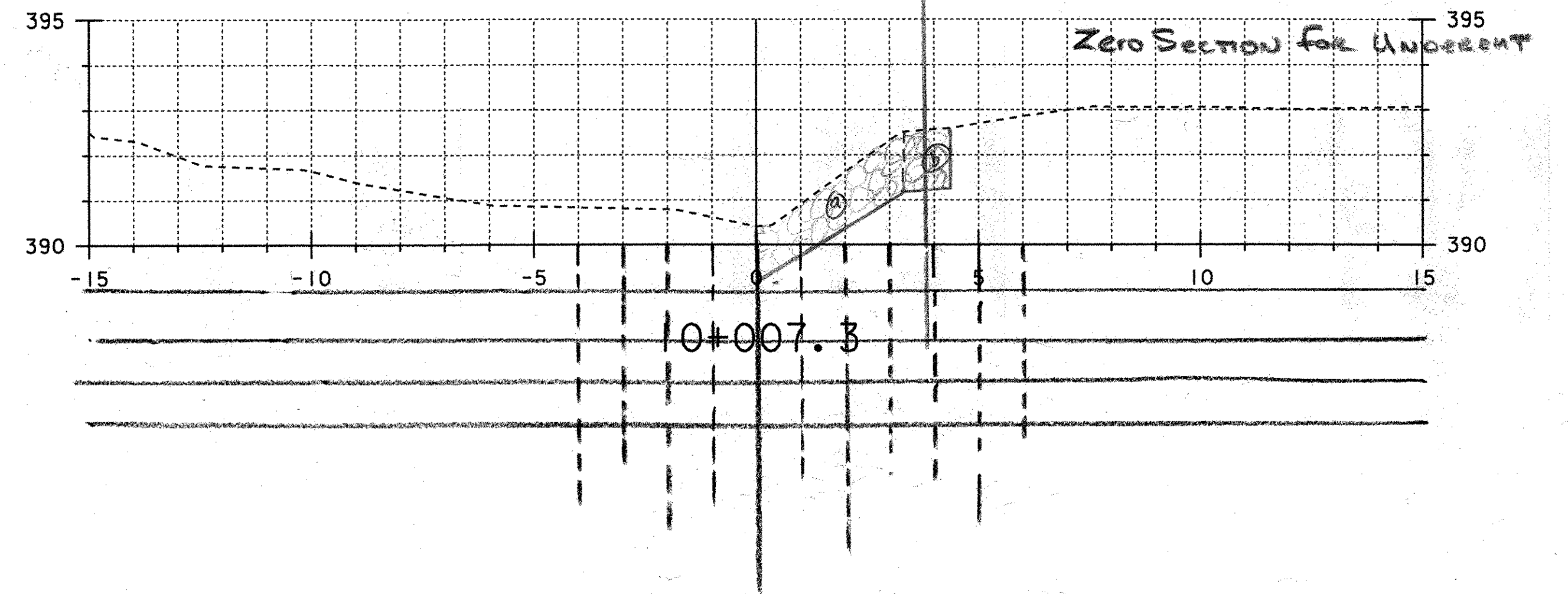
a) $0.5 \times \frac{(2.0+1.9)}{2} = 0.975$
 b) $2.0 \times \frac{(1.9+4.3)}{2} = 6.20$
 c) $3.9 \times \frac{(4.3+4.5)}{2} = 17.16$
 Total: 24.335 sm



Zero Section For Unclassified Channel Excavation IS 10+008.1

Unclassified Channel Excavation:

a) $1.3 \times 3.8 = 4.94$
 b) $1.3 \times 1.0 = 1.3$
 Total: 6.24 sm



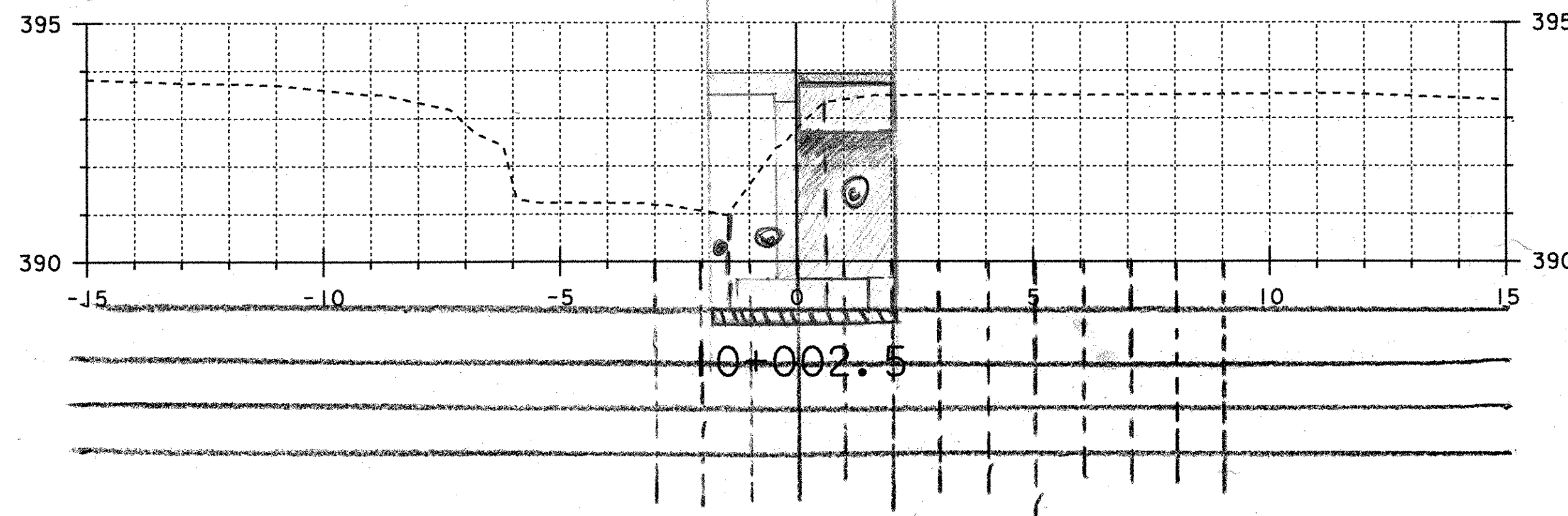
Zero Section For Cofferdam Excavation

GRANULAR BACKFILL FOR STRUCTURES

$2.1 \text{ m} \times 3.1 \text{ m} = 6.51 \text{ sm}$
3/26/05

Cofferdam Excavation:

a) $0.4 \times 2.0 = 0.8$
 b) $2.1 \times \frac{(2.0+4.3)}{2} = 6.615$
 c) $1.5 \times \frac{(4.3+4.5)}{2} = 6.6$
 Total: 14.015 sm

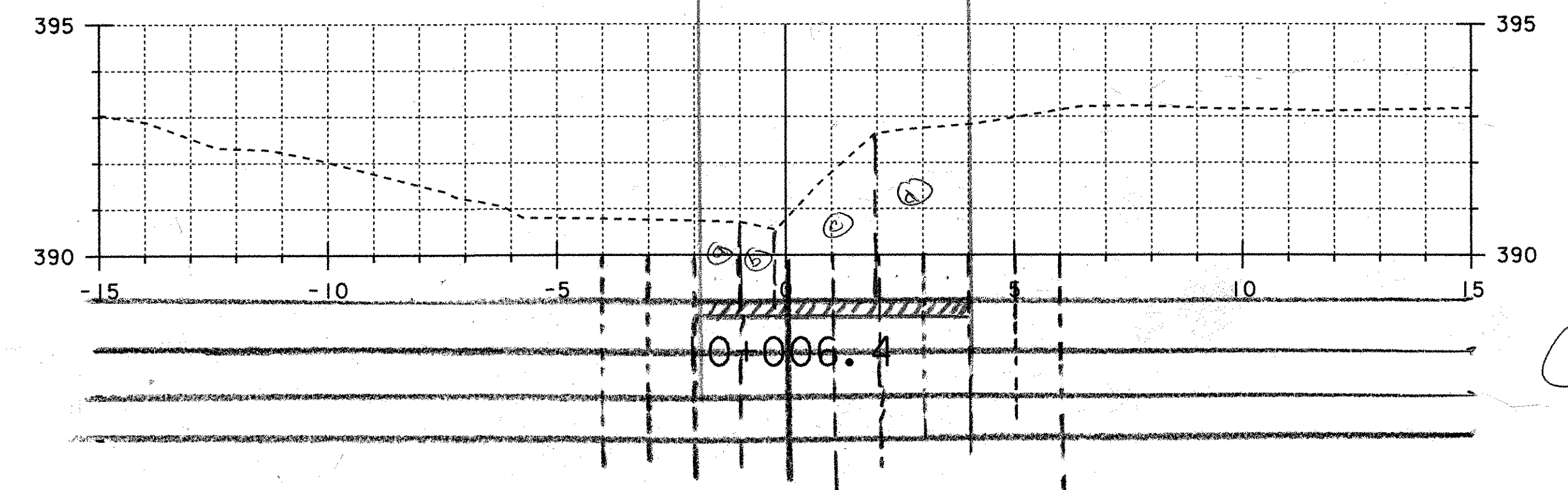


Unclassified Channel Excavation

0 sm

Cofferdam Excavation:

a) $0.9 \times 1.7 = 1.53$
 b) $0.8 \times \frac{(1.7+1.6)}{2} = 1.32$
 c) $2.2 \times \frac{(1.6+3.6)}{2} = 5.72$
 d) $2.1 \times \frac{(3.6+3.8)}{2} = 7.77$
 Total: 16.34 sm



Calculated By *TP* 11-01-04
 Led ABC 12-09-04

PROJECT NAME: STAMFORD	HIGHWAY NO.: TH 12
PROJECT NUMBER: TH3 9411	BRIDGE NO.: 14
	OVER: LESURE BROOK
FILE NAME: /PW/94J072/sj072bdr.dgn	PLOT DATE: 06-JUL-2004
PROJECT MANAGER: R. WHITCOMB	DRAWN BY: SQUAD 3
DESIGNED BY:	IPARM NAME:
BRIDGE SHEET NUMBER:	SHEET 043 OF