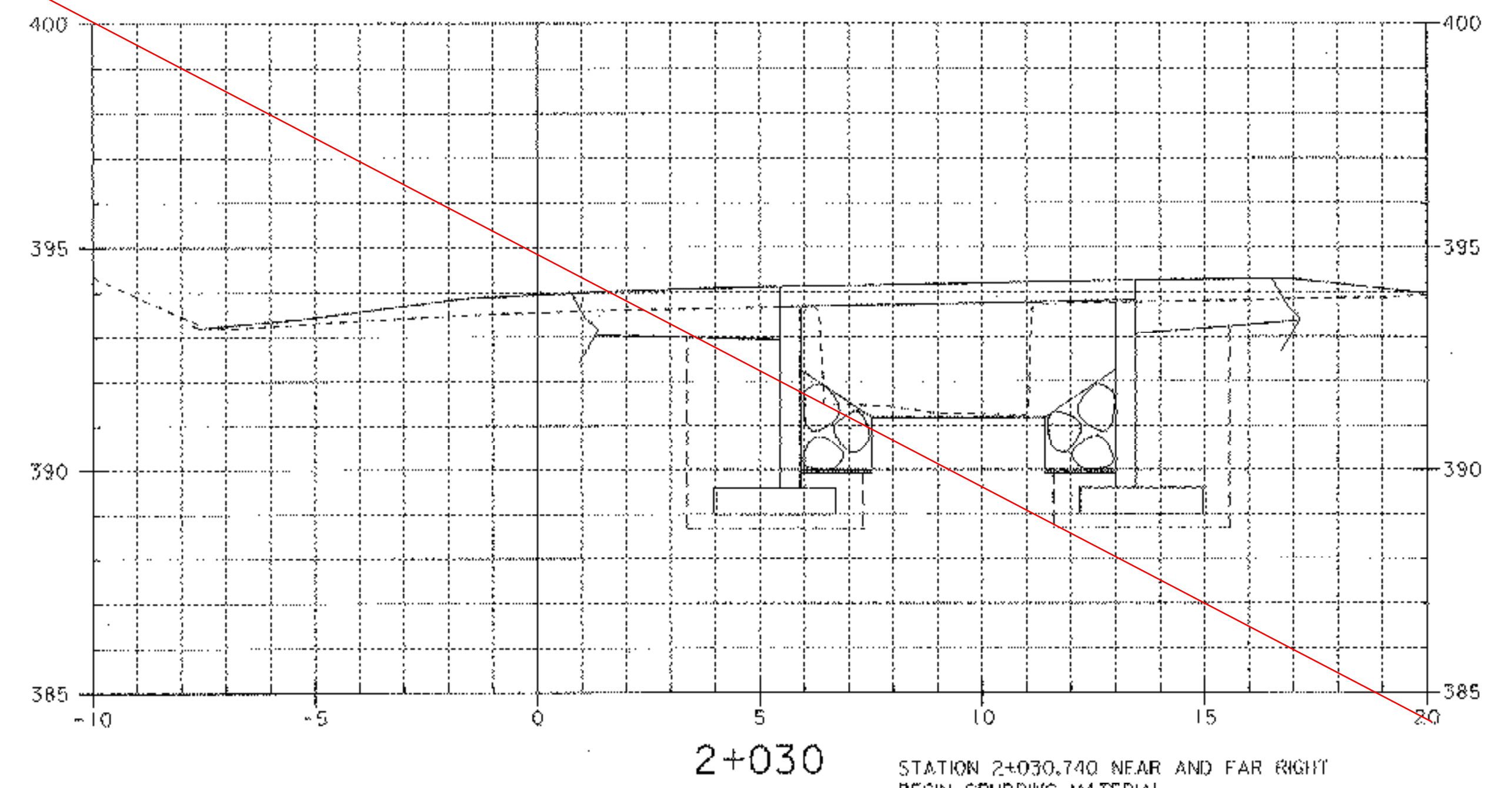
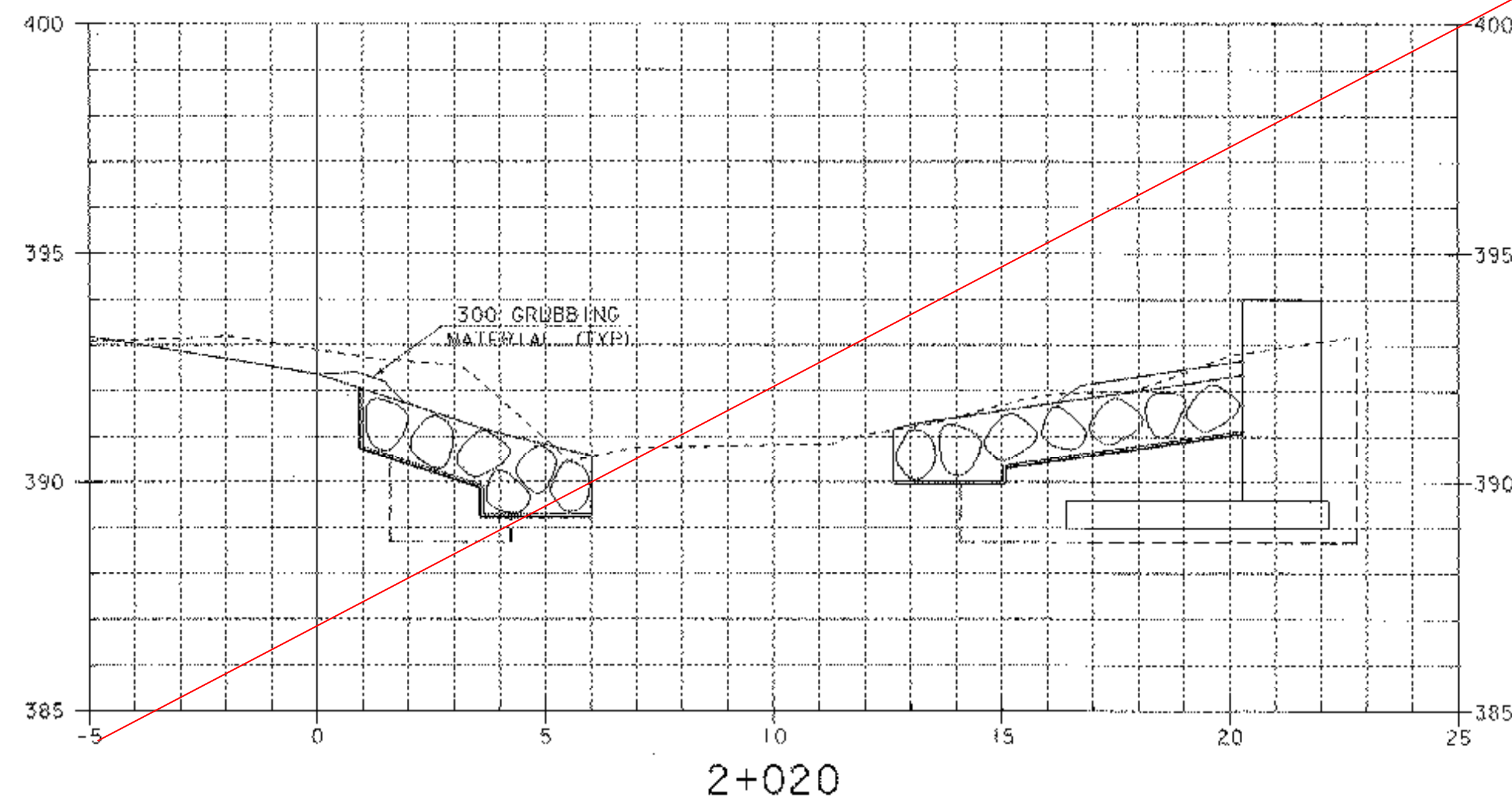
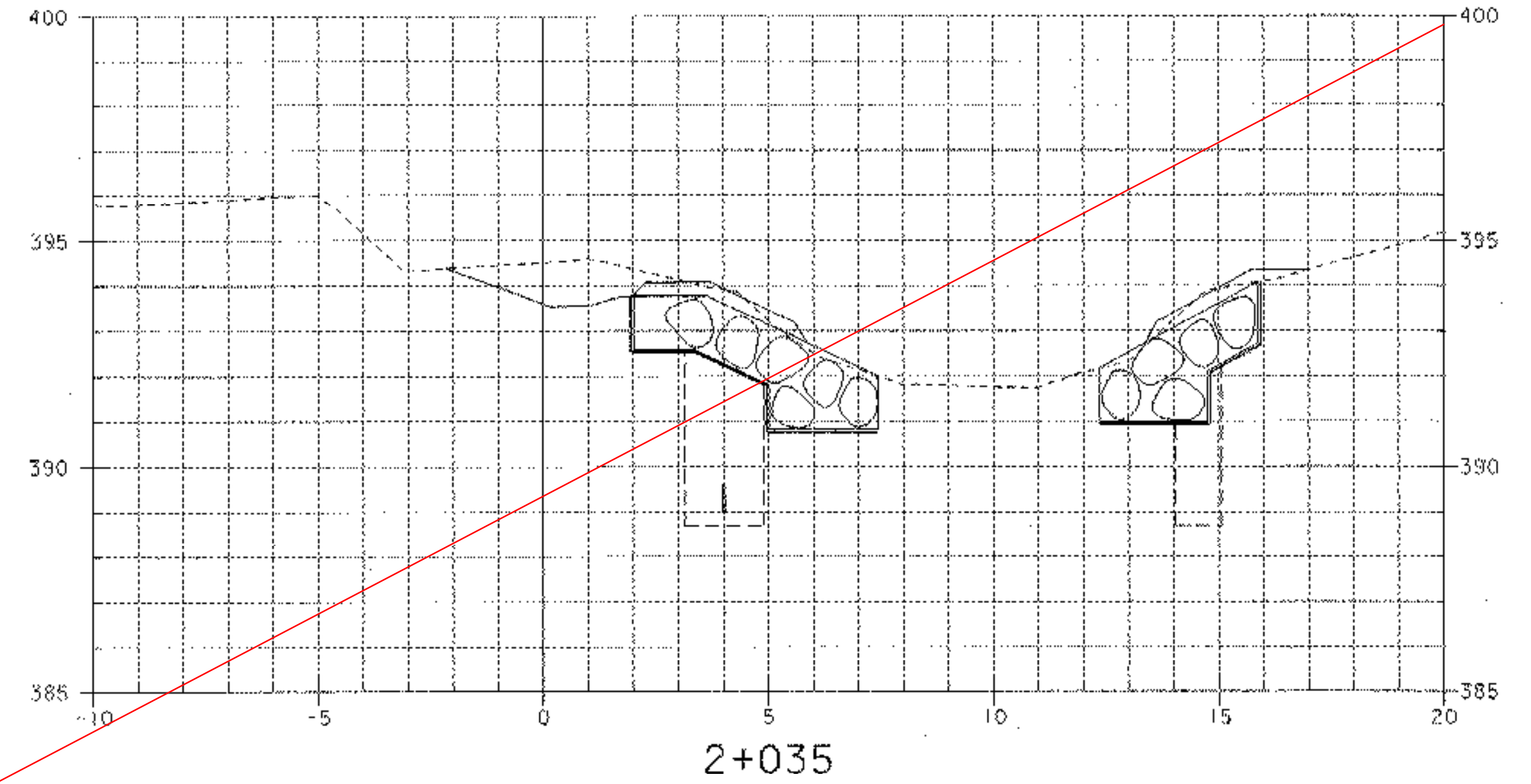
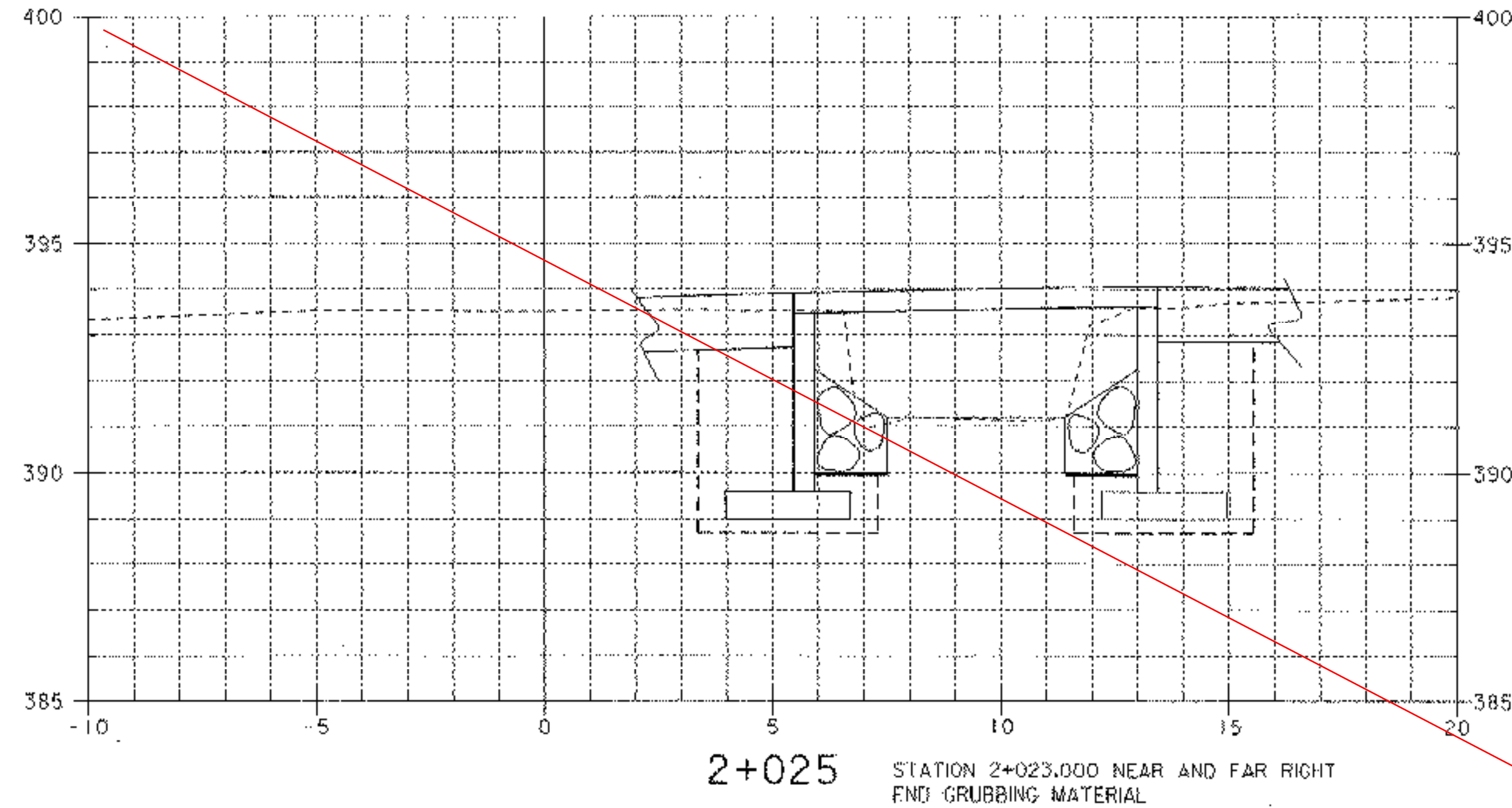


STATION 2+038.000 NEAR RIGHT
 END UNCLASSIFIED CHANNEL EXCAVATION
 END STONE FILL TYPE IV
 END GRUBBING MATERIAL
 END GEOTEXTILE FILTER FABRIC

STATION 2+036.500 FAR RIGHT
 END UNCLASSIFIED CHANNEL EXCAVATION
 END STONE FILL TYPE IV
 END GRUBBING MATERIAL
 END GEOTEXTILE FILTER FABRIC

STATION 2+035.870 NEAR RIGHT
 END GRANULAR BACKFILL FOR STRUCTURES

STATION 2+035.520 FAR RIGHT
 END GRANULAR BACKFILL FOR STRUCTURES



STATION 2+018.600 NEAR RIGHT
 BEGIN UNCLASSIFIED CHANNEL EXCAVATION
 BEGIN STONE FILL TYPE IV
 BEGIN GRUBBING MATERIAL
 BEGIN GEOTEXTILE FILTER FABRIC

STATION 2+016.600 FAR RIGHT
 BEGIN UNCLASSIFIED CHANNEL EXCAVATION
 BEGIN STONE FILL TYPE IV
 BEGIN GRUBBING MATERIAL
 BEGIN GEOTEXTILE FILTER FABRIC

STATION 2+019.550 NEAR RIGHT
 BEGIN GRANULAR BACKFILL FOR STRUCTURES

STATION 2+018.640 FAR RIGHT
 BEGIN GRANULAR BACKFILL FOR STRUCTURES

NEW CHANNEL SECTIONS
 DONE JULY 2004

| | | |
|-------------------------------------|------------------------|--------------------|
| SHEET NAME: CHANNEL CROSS SECTIONS | | |
| PROJECT NAME: STAMFORD | HIGHWAY NO.: TH 12 | |
| PROJECT NUMBER: TH3 9411 | BRIDGE NO.: 14 | OVER: LESURE BROOK |
| FILE NAME: /sirt/94j072/sj072xs.dgn | PLOT DATE: 16-OCT-2003 | |
| PROJECT MANAGER: G.S. ROGERS | DRAWN BY: KUPMAL | |
| DESIGNED BY: K. UPMAL | PARM NAME: sj072cx2.1 | |
| BRIDGE SHEET NUMBER: | SHEET 37 OF 38 | |