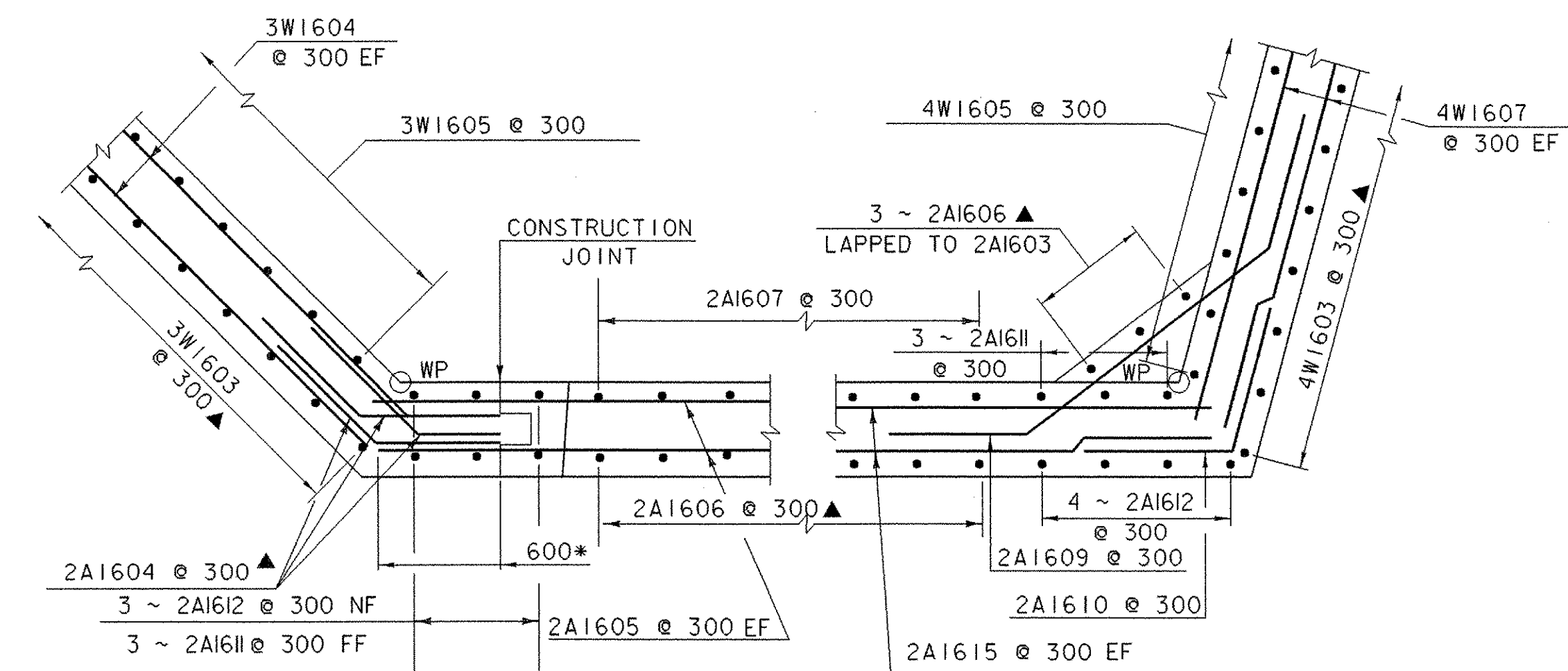


ABUTMENT #2 ELEVATION

SCALE: 1:25

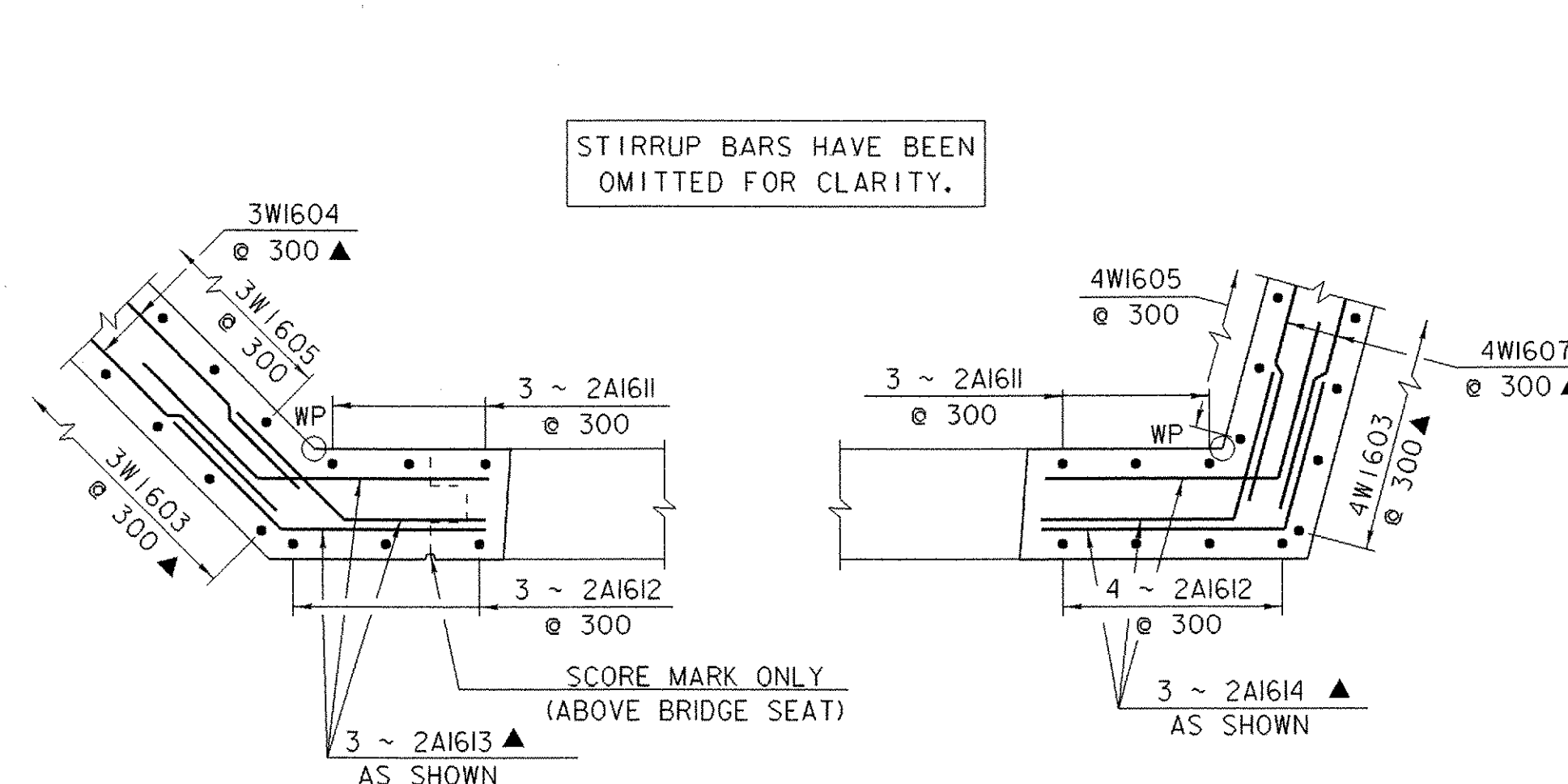


CORNER DETAILS BELOW BRIDGE SEAT

SCALE: 1:25

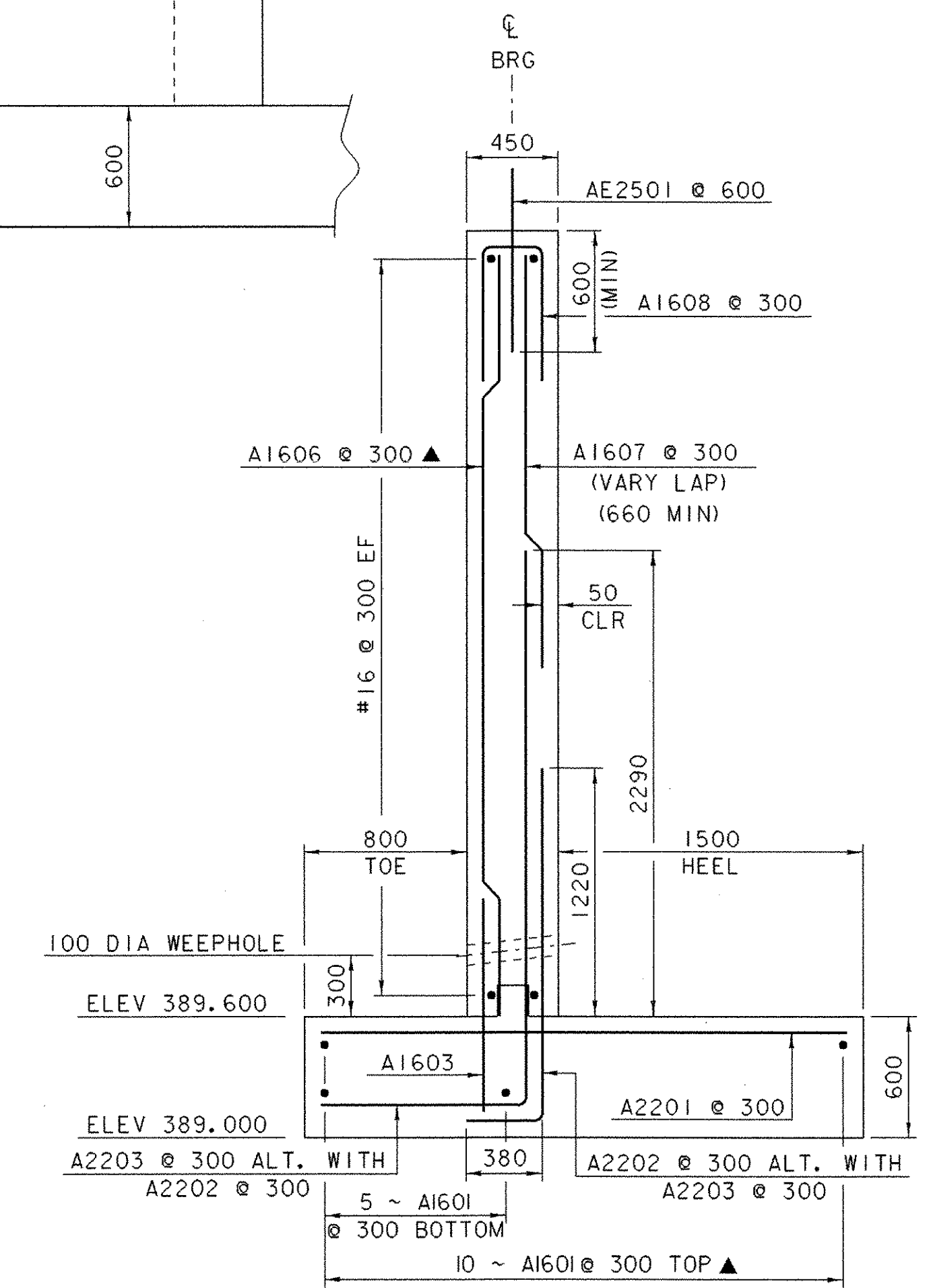
SECTION A-A

* 600 LAP THIS CONSTRUCTION JOINT ONLY



CORNER DETAILS ABOVE BRIDGE SEAT

SCALE: 1:25



ABUTMENT #2 SECTION

SCALE: 1:25

NOTES

1. NF = NEAR FACE
2. FF = FAR FACE
3. EF = EACH FACE
4. ▲ = CUT TO FIT IN FIELD
5. 80 CLEAR UNLESS OTHERWISE SPECIFIED ON THE PLANS
6. ALL LAPS NOT DETAILED SHALL BE 660 (MIN)
7. 3000 MAX. WEEPHOLE SPACING

SHEET NAME: ABUTMENT #2 ELEVATION	
PROJECT NAME: STAMFORD	HIGHWAY NO.: TH 12
PROJECT NUMBER: TH3 9411	BRIDGE NO.: 14
	OVER: LESURE BROOK
FILE NAME: /s/str1/94j072/sj072sub.dgn	PLOT DATE: 16-OCT-2003
PROJECT MANAGER: G.S. ROGERS	DRAWN BY: J. GILMORE
DESIGNED BY: C. MEUNIER	IPARM NAME: sj072ev2.i
BRIDGE SHEET NUMBER:	SHEET 28 OF 38