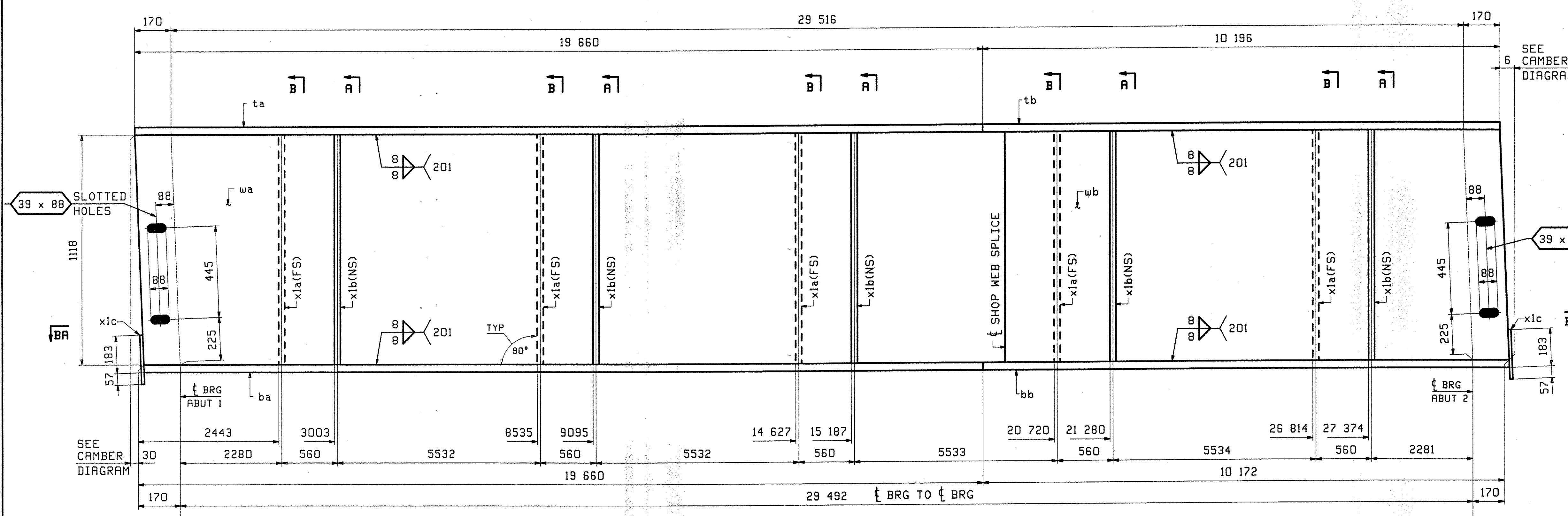
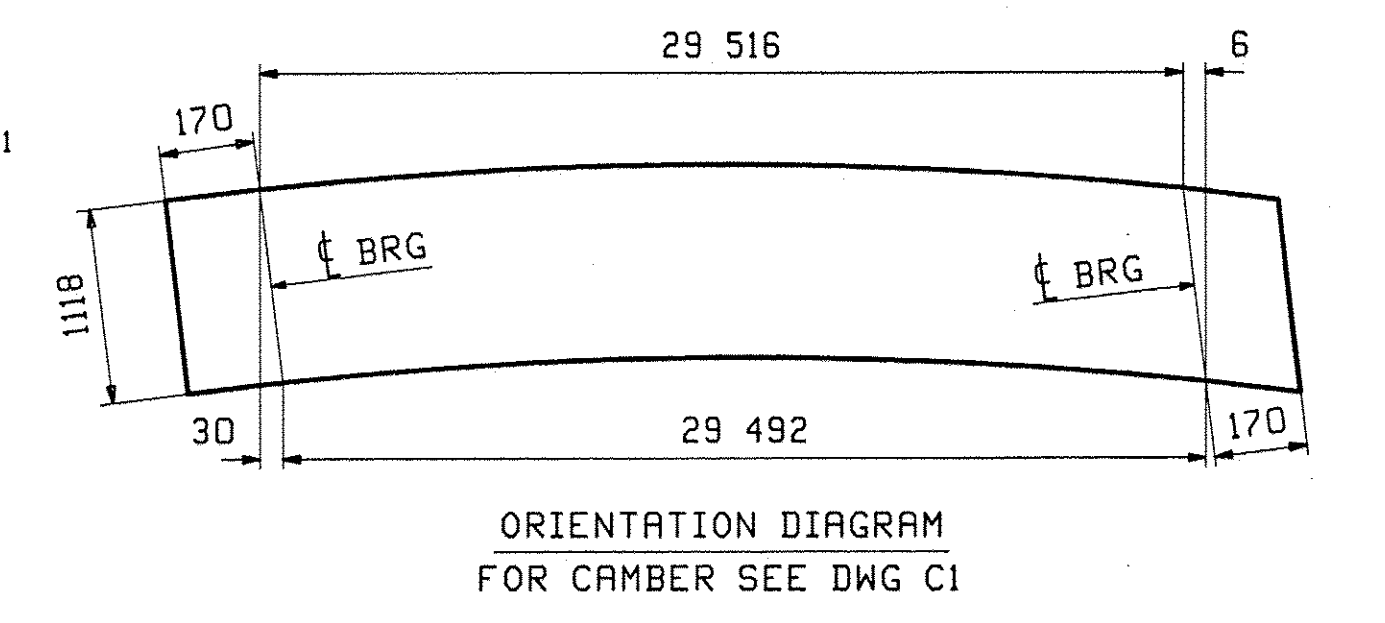
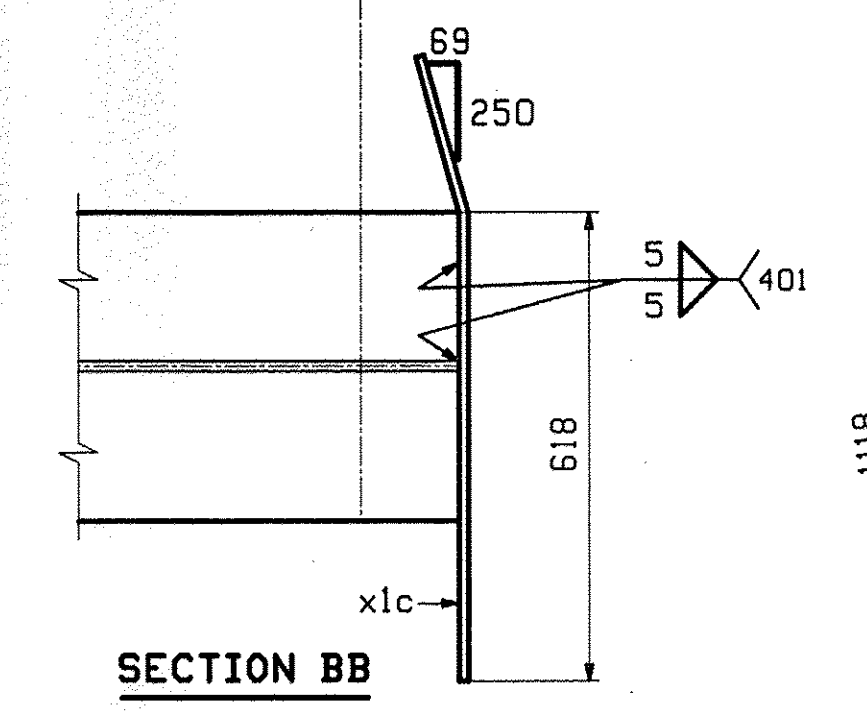
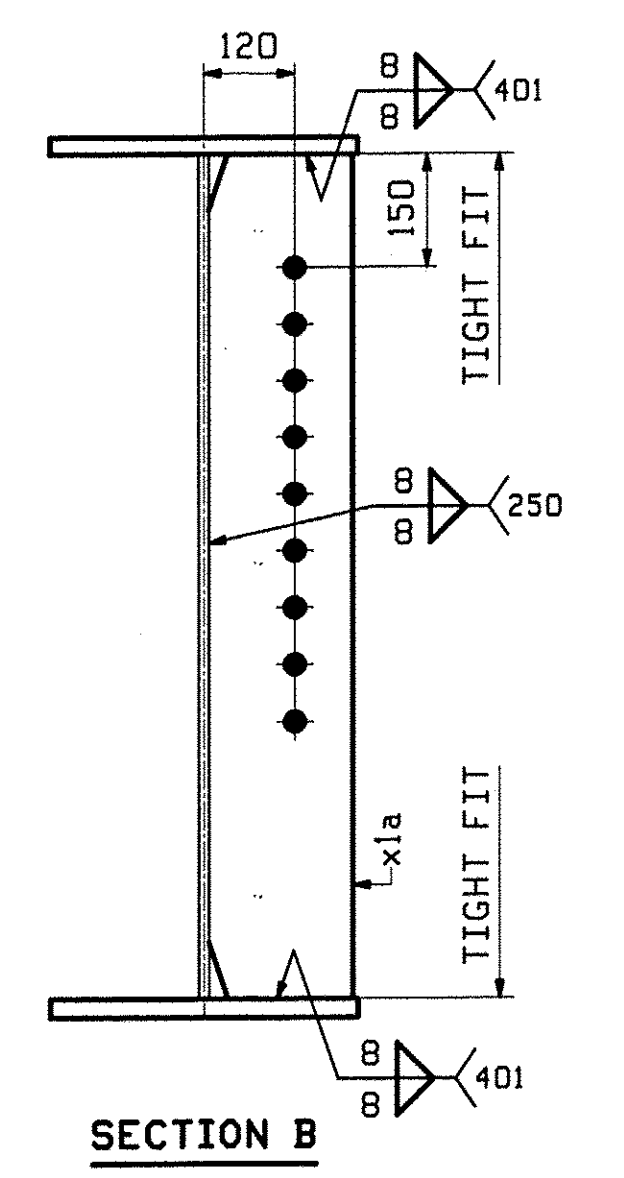
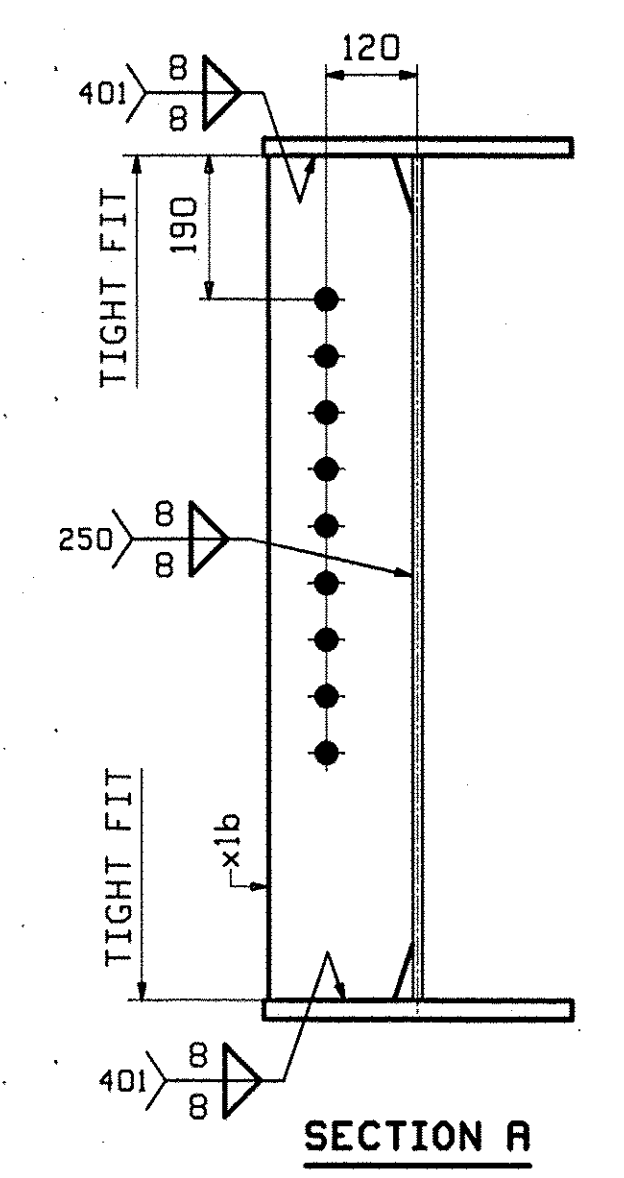
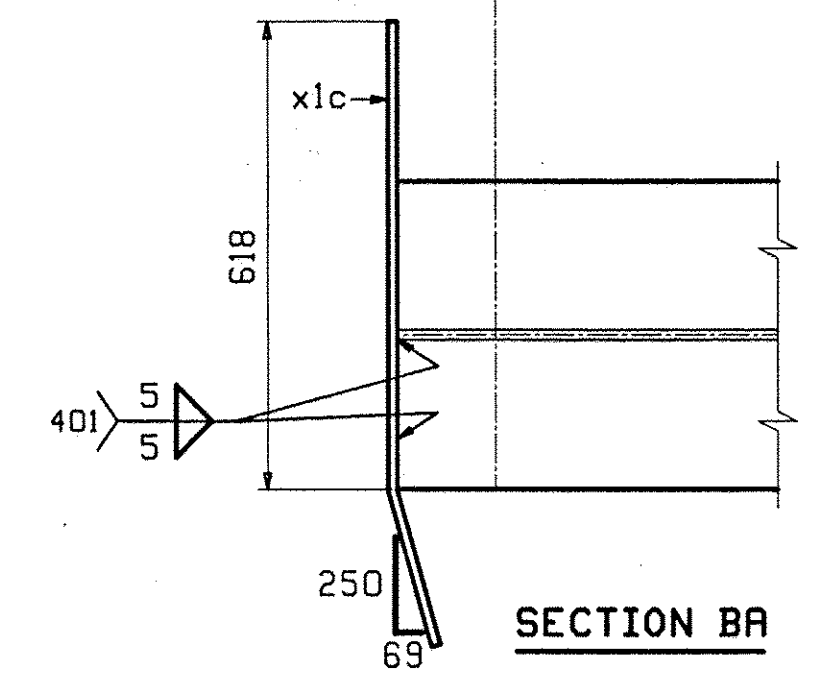


| ABM INFO | | SHIP | BILL OF MATERIAL | | | JOB NO. | DRAWING NO. | REV. | |
|----------|------|------|------------------|------|------------|---------|---------------------|-------------------|-------------------|
| | | | | | | 445 | 3 | | |
| PAGE | LINE | MARK | QTY | MARK | MATERIAL | LENGTH | REMARKS | WT | PROCUREMENT NOTES |
| | | | | | | m | | | |
| | | | | | | mm | | | |
| | | 3G3 | 1 | | GIRDER | | | 814 kg 2888 lb | |
| 1 | E | | 1 | wa | PL 13x1118 | 19 995 | M270M-345WT2 (H2-3) | | |
| 1 | G | | 1 | wb | PL 13x1118 | 9 881 | M270M-345WT2 (H2-3) | | |
| 1 | J | | 1 | ta | PL 22x406 | 19 660 | | | |
| 1 | L | | 1 | tb | PL 22x406 | 10 195 | | | |
| 1 | A | | 1 | ba | PL 25x406 | 19 660 | M270M-345WT2 (H2-3) | | |
| 1 | C | | 1 | bb | PL 25x406 | 10 172 | M270M-345WT2 (H2-3) | | |
| 2 | B | | 5 | x1a | PL 13x190 | 1 118 | | | |
| 2 | B | | 5 | x1b | PL 13x190 | 1 118 | | | |
| 2 | C | | 2 | x1c | PL 6x831 | 0 240 | BENT | | |



ONE - GIRDER - 3G3

FOR GIRDER STANDARDS SEE DRAWING X1.
 FOR CAMBER & FLANGE DIAGRAMS SEE DRAWING C1.
 FOR GENERAL NOTES SEE DRAWING GNI.
 H2-3 DENOTES MATERIAL SUBJECT TO CHARPY V-NOTCH TESTING.



| | | | | | | |
|--|------|------------------------|---------------------|---------------------------------|-------------|---------------|
| REV. | DATE | REMARKS | DWN | CHK | APVL | SHOP |
| 0 | | | | | | |
| MATERIAL: | | SURFACE PREP. & PAINT: | HOLES: | | SHOP BOLTS: | |
| M270M-345W(UN) | | SEE DWG GNI | 15/16" Ø (UN) | | NONE | |
| DESCRIPTION: GIRDER - 3G3 | | | | | | |
| CASCO BAY STEEL STRUCTURES, INC. | | | | | | |
| 75 SPRING HILL ROAD | | | SACO, MAINE 04072 | | | |
| PHONE (207) 282-7360 | | | FAX. (207) 282-1179 | | | |
| STRUCTURE: BRIDGE NO. 31 ON TOWN HIGHWAY NO. 3 | | | | DRAWN: JTJ | | DATE: 03/24 |
| BRIDGE PROJECT | | | | CHKD: ELC | | DATE: 4/14/10 |
| READSBORO | | | | JOB NO. 445 | | DWG NO. 3 |
| County of BENNINGTON | | | | CUSTOMER: COLD RIVER BRIDGE LLC | | REV. 3 |

RECEIVED
 OK'D BY: [Signature] OK'D BY: [Signature]
 JUN 28 2010
 RESUBMIT APPROVED [Signature]
 BY: [Signature] DATE: 7/1/10