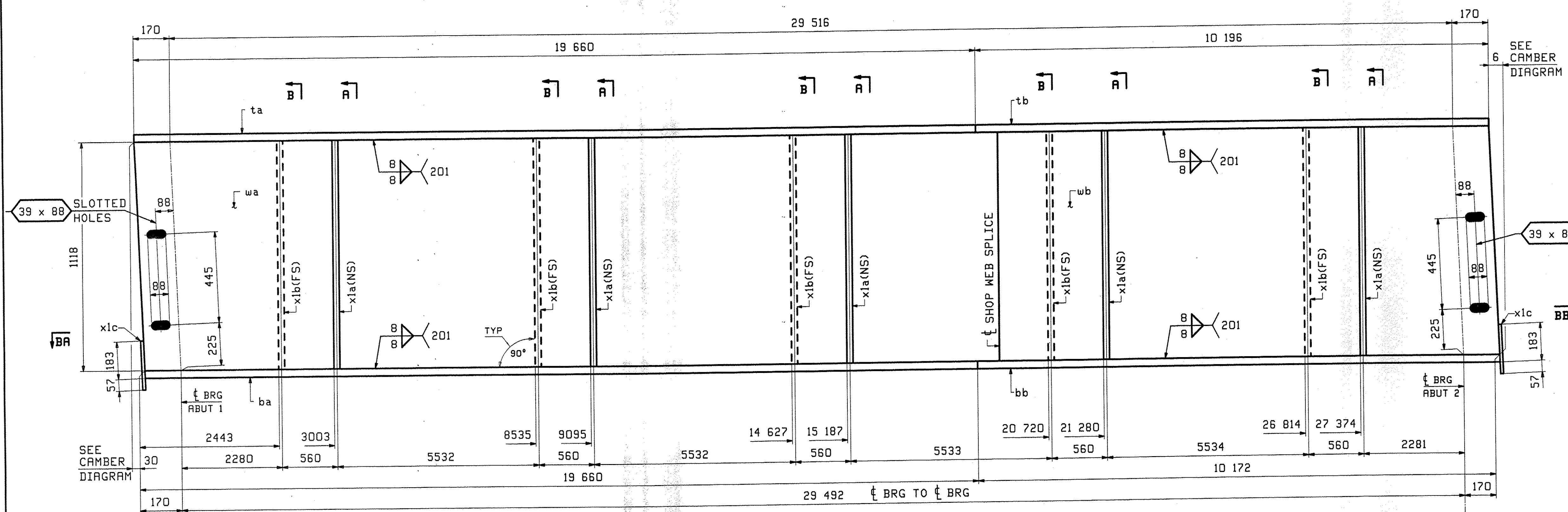
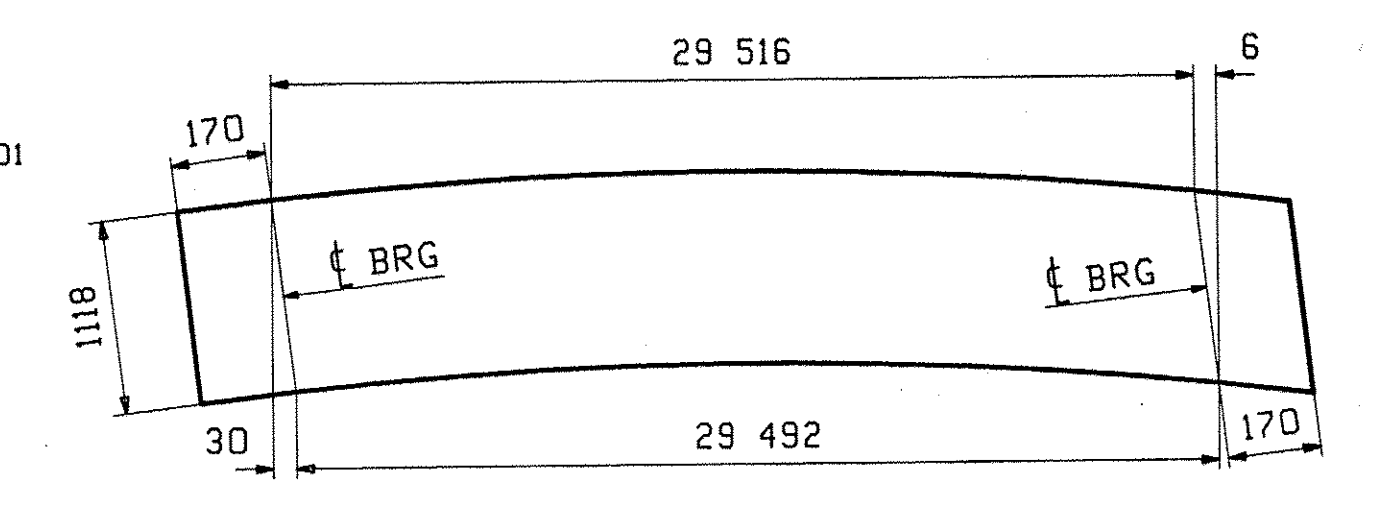
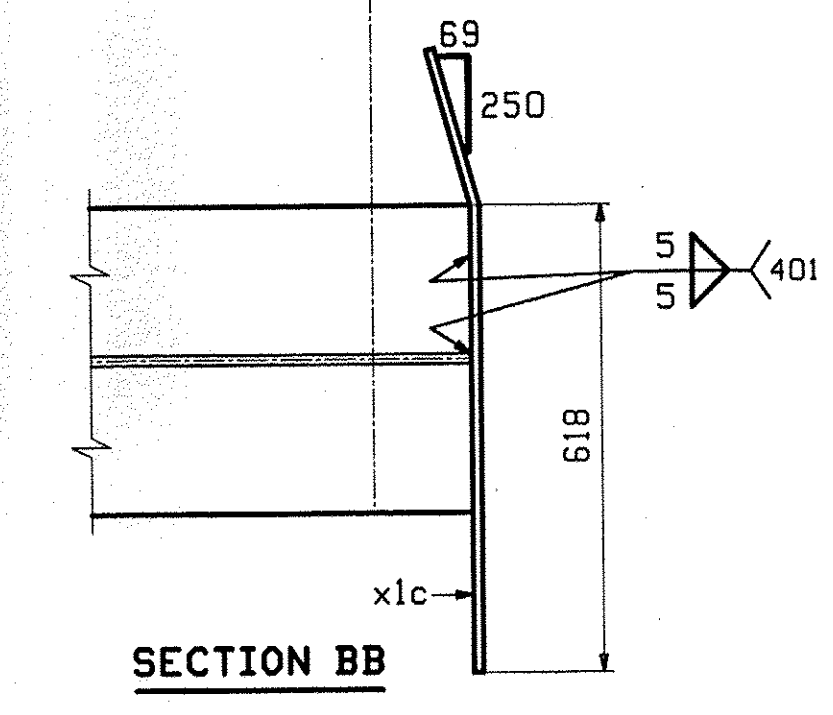
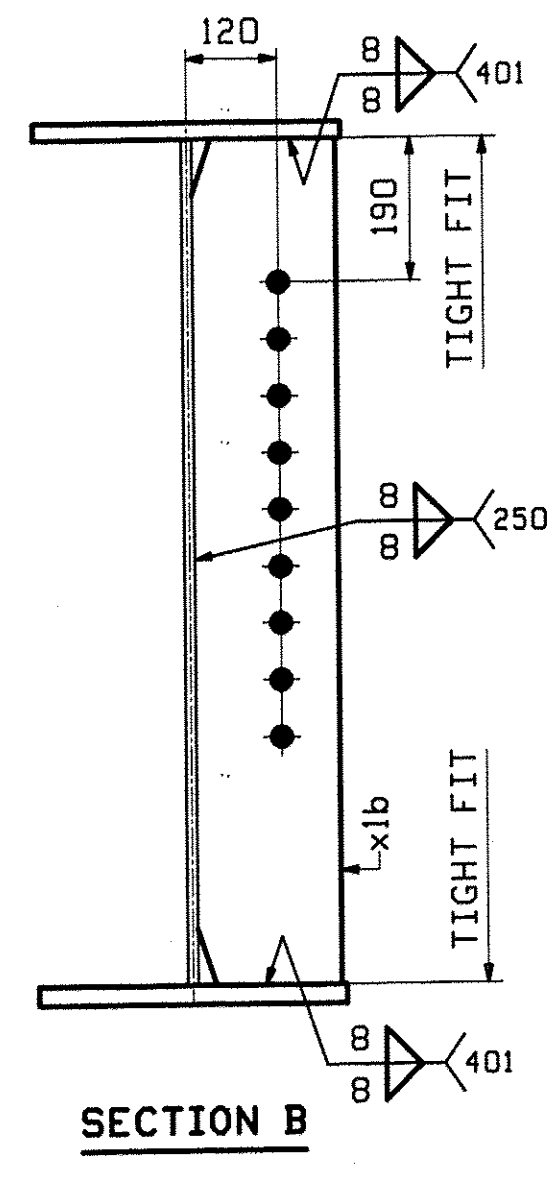
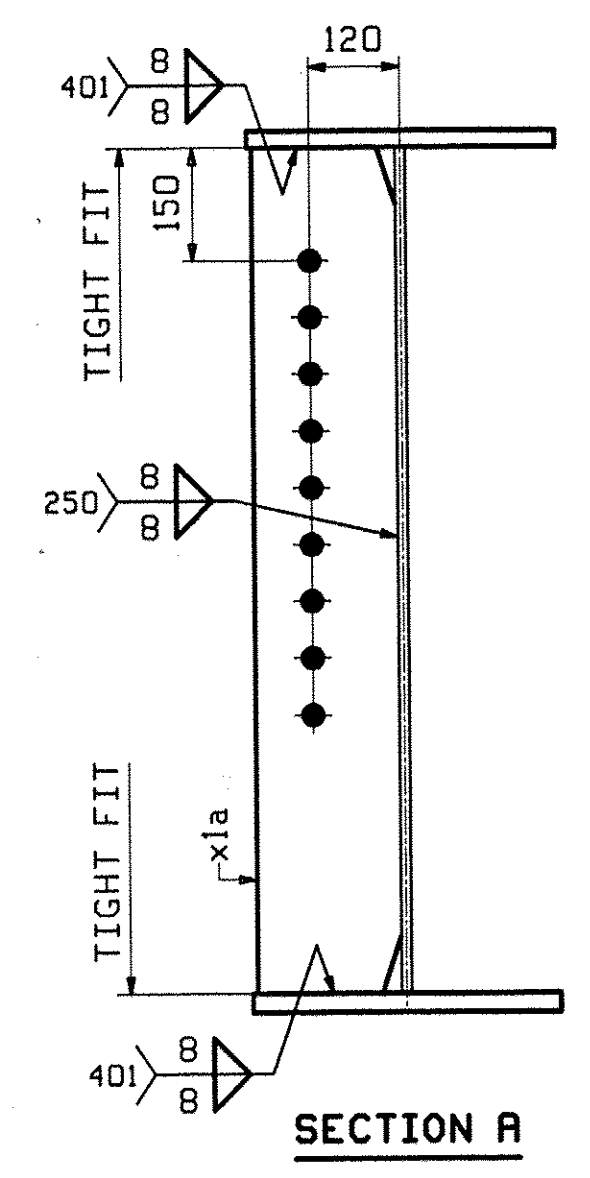
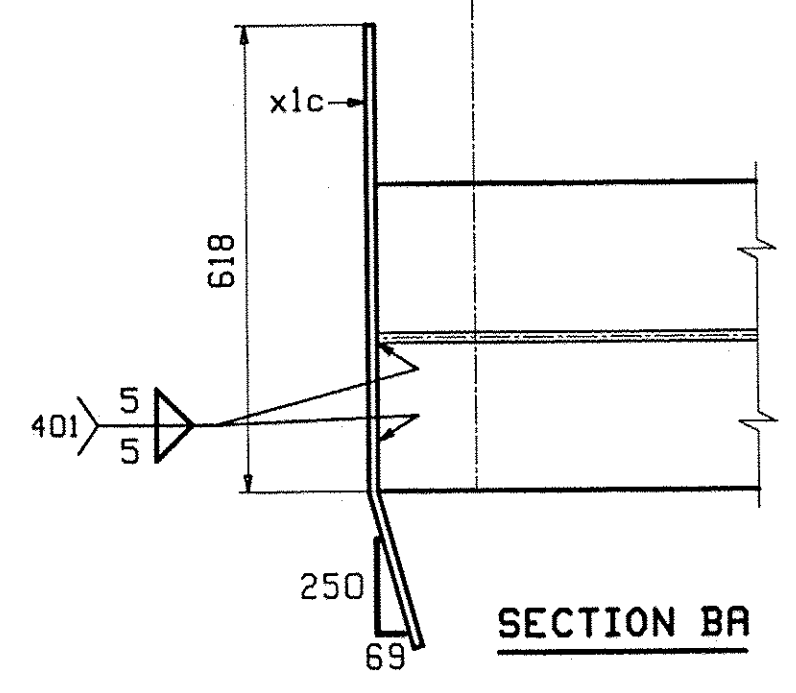


BILL OF MATERIAL				JOB NO.	DRAWING NO.	REV.			
				445	2				
PAGE	LINE	MARK	QTY	MARK	MATERIAL	LENGTH	REMARKS	WT	PROCUREMENT NOTES
		2G2	1		GIRDER			8114 kg 2888 lb	
1	E		1	wa	PL 13x1118	19 995	M270M-345HT2 (H2-3)		
1	G		1	wb	PL 13x1118	9 881	M270M-345HT2 (H2-3)		
1	J		1	ta	PL 22x406	19 660			
1	L		1	tb	PL 22x406	10 196			
1	A		1	ba	PL 25x406	19 660	M270M-345HT2 (H2-3)		
1	C		1	bb	PL 25x406	10 172	M270M-345HT2 (H2-3)		
2	B		5	x1a	PL 13x190	1 118			
2	B		5	x1b	PL 13x190	1 118			
2	C		2	x1c	PL 6x831	0 240	BENT		



ONE - GIRDER - 2G2

FOR GIRDER STANDARDS SEE DRAWING X1.
FOR CAMBER & FLANGE DIAGRAMS SEE DRAWING C1.
FOR GENERAL NOTES SEE DRAWING GNI.
H2-3 DENOTES MATERIAL SUBJECT TO CHARPY V-NOTCH TESTING.



REV. DATE		REMARKS	DWN	CHK	APVL	SHOP
0						
MATERIAL:		SURFACE PREP. & PAINT:	HOLES:		SHOP BOLTS:	
M270M-345W(UN)		SEE DWG GNI	1 1/2" Ø (UN)		NONE	
DESCRIPTION: GIRDER - 2G2						
CASCO BAY STEEL STRUCTURES, INC. 75 SPRING HILL ROAD SACO, MAINE 04072 PHONE (207) 282-7360 FAX. (207) 282-1179						
STRUCTURE: BRIDGE NO. 31 ON TOWN HIGHWAY NO. 3 BRIDGE PROJECT READSBORO County of BENNINGTON				DRAWN:	DATE:	
				JTB	03/23	
				CHKD:	DATE:	
				ELC	4/14/10	
LOCATION: TOWN OF READSBORO, VERMONT			JOB NO.		DWG NO.	
PROJ NO. BRO 1441(25)			445		2	
CUSTOMER: COLD RIVER BRIDGE LLC					REV. Δ	

RECEIVED
CHK BY: [Signature] OK'D BY: DDB
JUN 28 2010
RESUBMIT: [Signature] APPROVED: [Signature]
BY: OAW DATE: 7/1/10