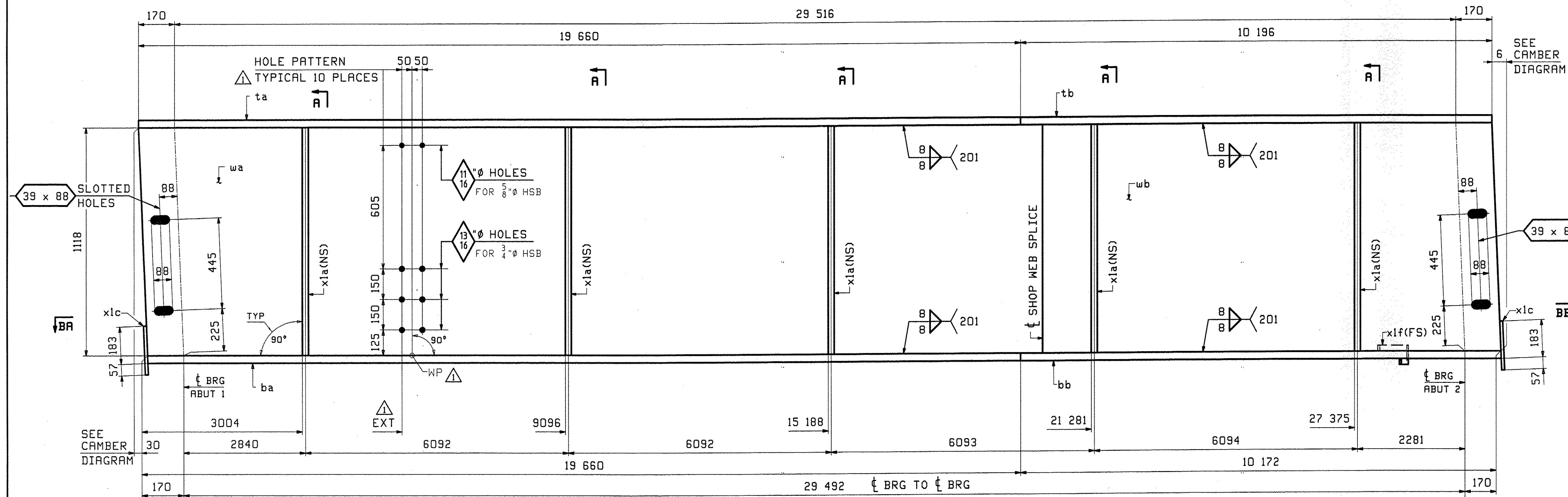
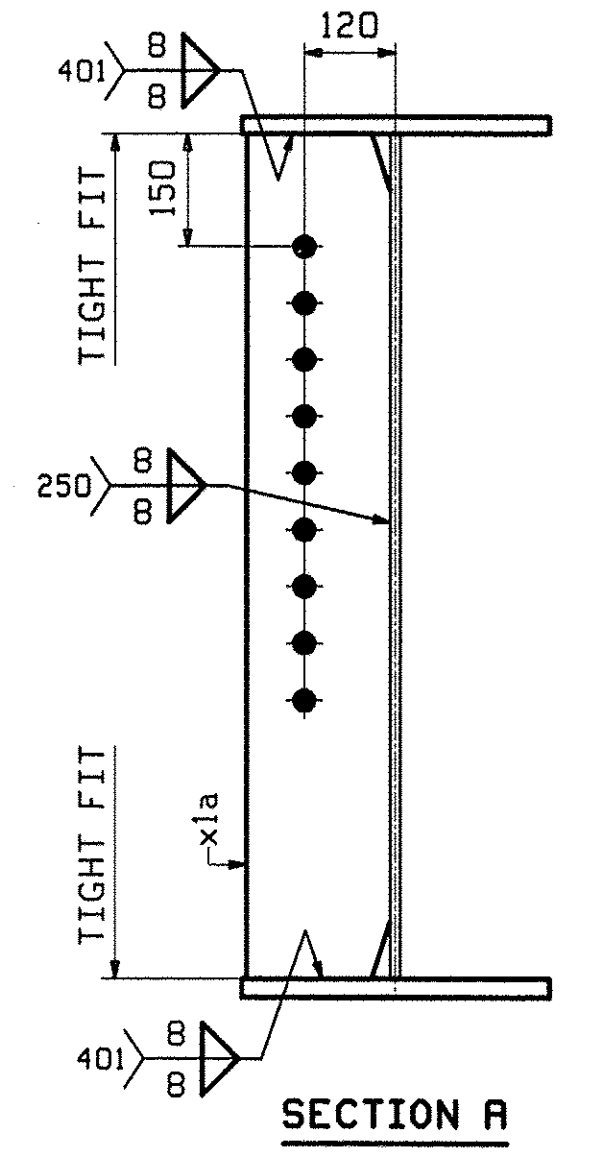
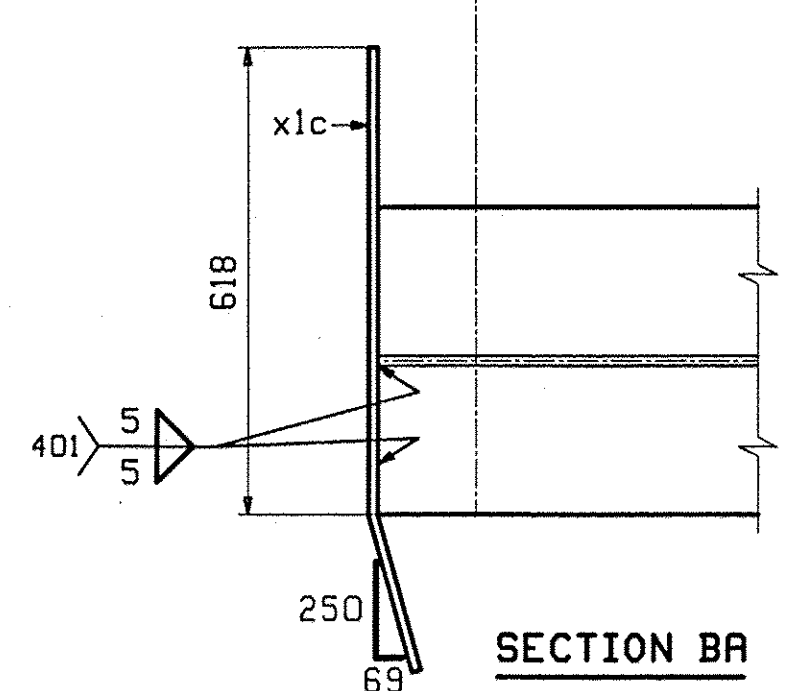
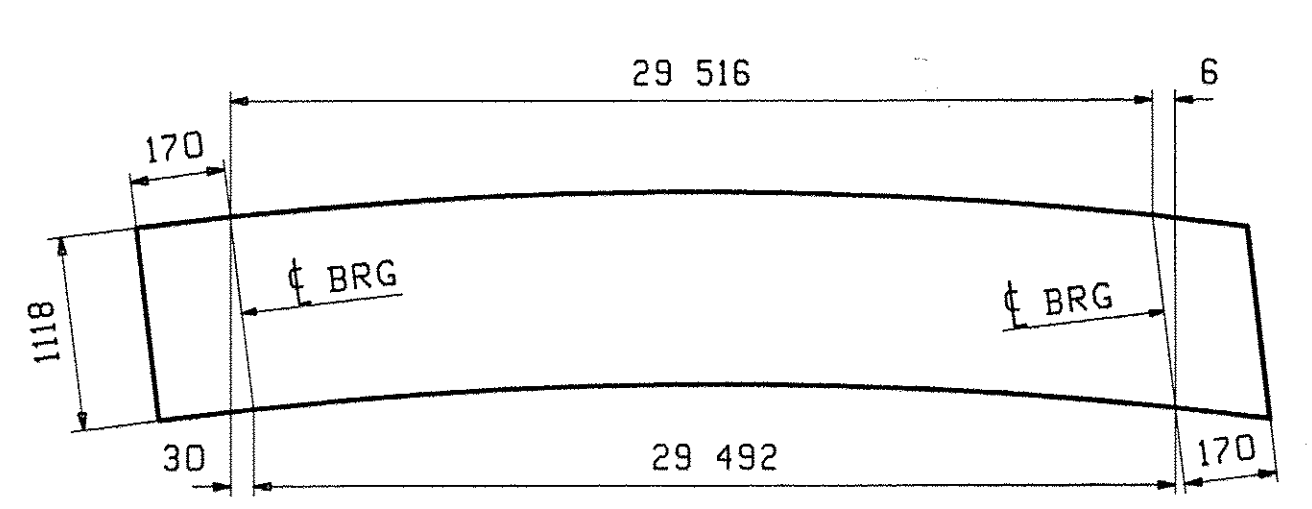
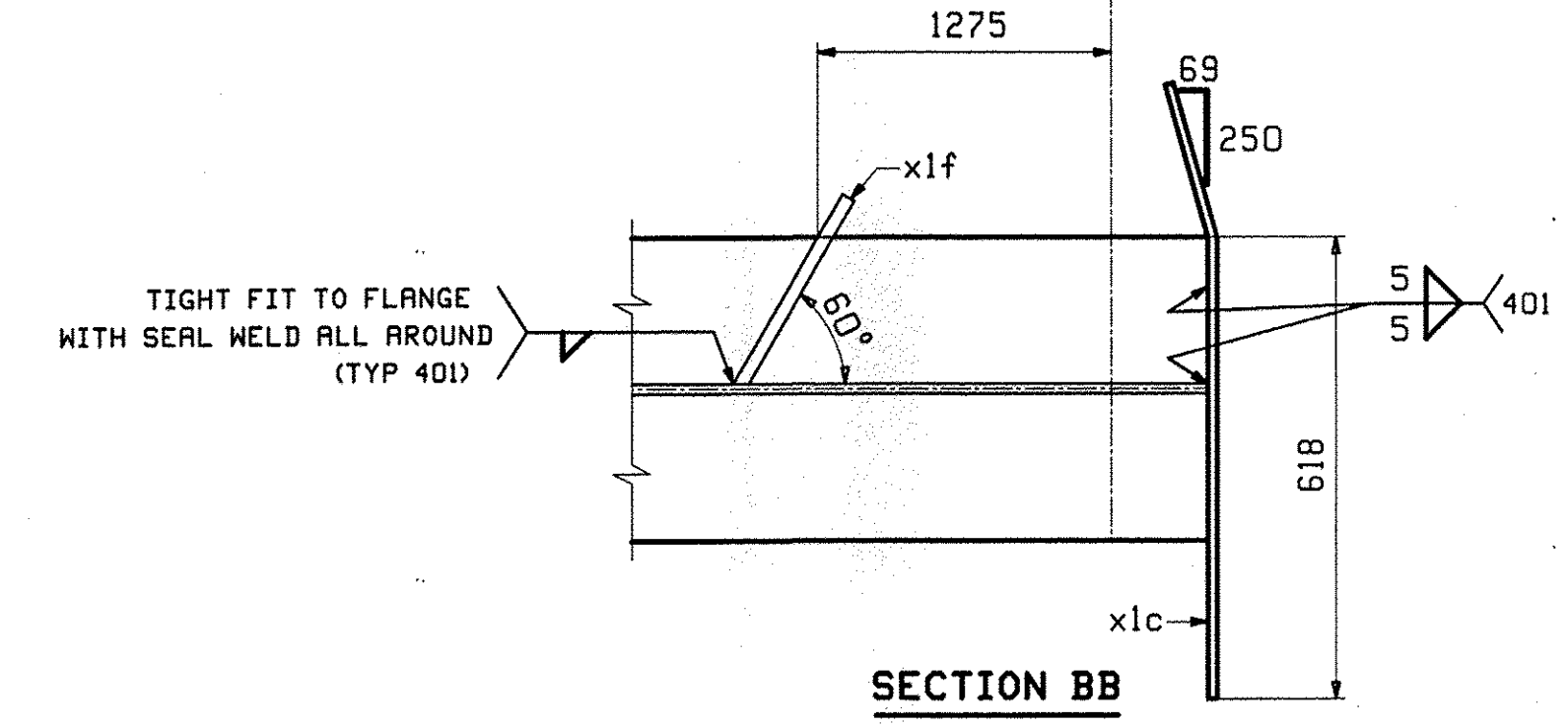


JOB NO.		DRAWING NO.		REV.					
445		1		△					
PAGE	LINE	MARK	QTY	MARK	MATERIAL	LENGTH	REMARKS	WT	PROCUREMENT NOTES
		IG1	1		GIRDER			8007 lb 7852 lbs	
1	E	1	wa		PL 13x1118	19 995	M270M-345WT2 (H2-3)		
1	G	1	wb		PL 13x1118	9 881	M270M-345WT2 (H2-3)		
1	J	1	ta		PL 22x406	19 660			
1	L	1	tb		PL 22x406	10 196			
1	A	1	ba		PL 25x406	19 660	M270M-345WT2 (H2-3)		
1	C	1	bb		PL 25x406	10 172	M270M-345WT2 (H2-3)		
2	B	5	x1a		PL 13x190	1 118			
2	C	2	x1c		PL 6x831	0 240	BENT		
2	D	1	x1f		PL 6x75	0 280			



**ONE - GIRDER - IG1**

FOR GIRDER STANDARDS SEE DRAWING X1.  
FOR CAMBER & FLANGE DIAGRAMS SEE DRAWING C1.  
FOR GENERAL NOTES SEE DRAWING GNI.  
H2-3 DENOTES MATERIAL SUBJECT TO CHARPY V-NOTCH TESTING.



WP	EXT	
1	2327	2207 (CL BRG TO WP 1)
2	6289	3962 (WP 1 to 2)
3	7508	1219 (WP 2 to 3)
4	11 775	4267 (WP 3 to 4)
5	12 994	1219 (WP 4 to 5)
6	17 261	4267 (WP 5 to 6)
7	18 480	1219 (WP 6 to 7)
8	22 747	4267 (WP 7 to 8)
9	23 966	1219 (WP 8 to 9)
10	28 233	4267 (WP 9 to 10)

REV.	DATE	REMARKS	DWN	CHK	APVL	SHOP
△	6/23	REV. UTILITY HOLE SPACING	JTB	SF	6/24/10	
0					4/16/10	
MATERIAL:		SURFACE PREP. & PAINT:		HOLES:		SHOP BOLTS:
M270M-345W(UN)		SEE DWG GNI		15\"/>		

DESCRIPTION: GIRDER - IG1

CASCO BAY STEEL STRUCTURES, INC.  
75 SPRING HILL ROAD SACO, MAINE 04072  
PHONE (207) 282-7360 FAX (207) 282-1179

STRUCTURE: BRIDGE NO. 31 ON TOWN HIGHWAY NO. 3  
BRIDGE PROJECT  
READSBORO  
County of BENNINGTON

LOCATION: TOWN OF READSBORO, VERMONT

PROJ NO. BRO 1441(25)

CUSTOMER: COLD RIVER BRIDGE LLC

DATE: 03/23  
DATE: 4/14/10  
JOB NO. 445  
DWG NO. 1  
REV. △

RECEIVED  
CHK'D BY: HLC OK'D BY: DDT  
JUN 28 2010  
RESUBMIT APPROVED  
BY: OPW DATE: 7/1/10