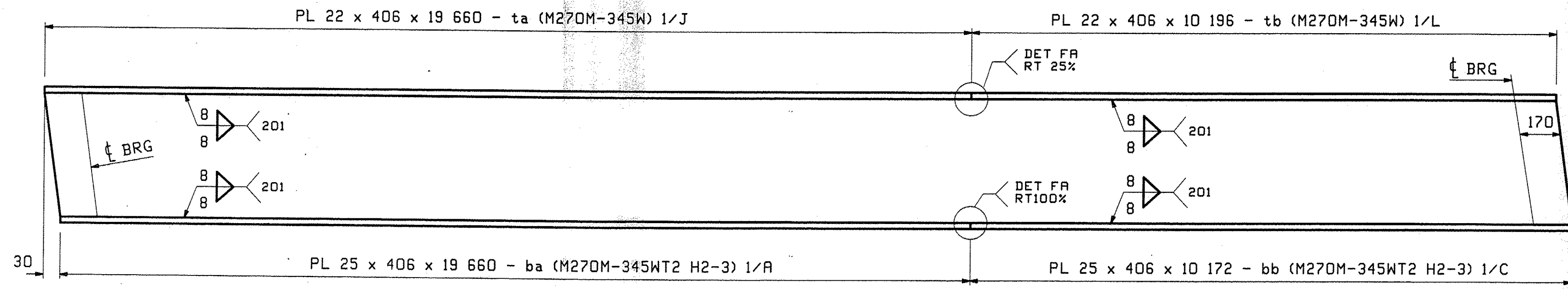
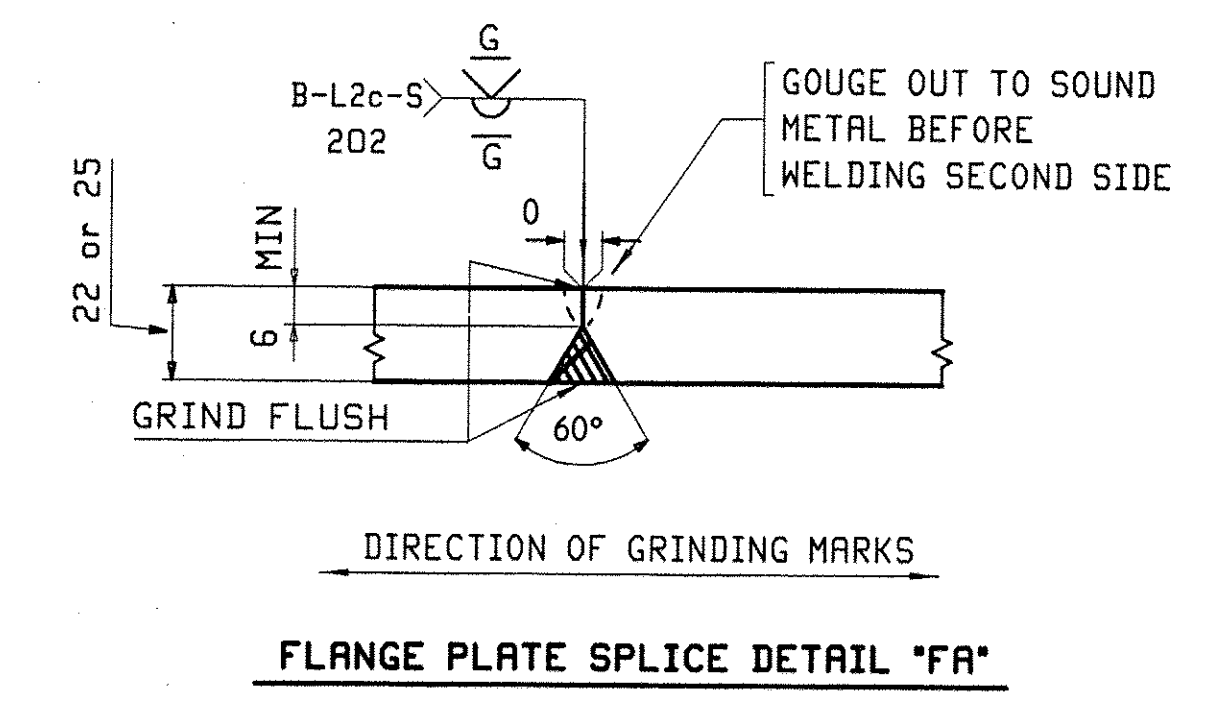
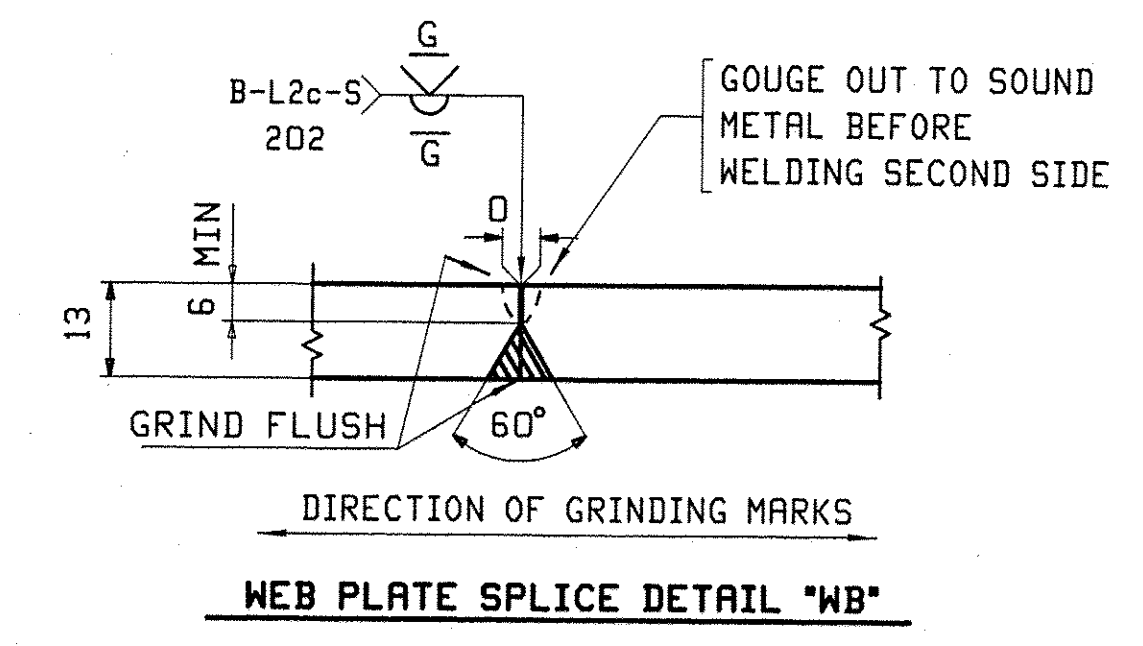


**CAMBER DIAGRAM FOR 1G1 THRU 4G4**



**FLANGE DIAGRAM FOR 1G1 THRU 4G4**



**NOTES:**

1. FOR GENERAL NOTES SEE DRAWING GNI.
2. H2-3 DENOTES MATERIAL SUBJECT TO CHARPY V-NOTCH TEST AT H FREQ. FOR ZONE 2

REV.	DATE	REMARKS	DWN	CHK	APVL	SHOP
0						
MATERIAL:		SURFACE PREP. & PAINT:		HOLES:		SHOP BOLTS:
M270-345W(UN)		SEE DWG GNI				
DESCRIPTION: CAMBER DIAGRAM						
CASCO BAY STEEL STRUCTURES, INC.						
75 SPRING HILL ROAD SACO, MAINE 04072						
PHONE (207) 282-7360 FAX. (207) 282-1179						
STRUCTURE: BRIDGE NO. 31 ON TOWN HIGHWAY NO. 3			DRAWN:	DATE:		
BRIDGE PROJECT			JTB	03/23		
READSBORO			CHKD:	DATE:		
County of BENNINGTON			ELC	4/14/10		
LOCATION: TOWN OF READSBORO, VERMONT			JOB NO.	DWG NO.		
PROJ NO. BRO 1441(25)			445	C1		
CUSTOMER: COLD RIVER BRIDGE LLC				REV. $\Delta$		

RECEIVED  
 CHKD BY ELC OK'D BY DDB  
 JUN 28 2010  
 RESUBMIT APPROVED   
 BY CPW DATE 7/1/10