

GENERAL NOTES

CONSTRUCTION SPECIFICATIONS

- 1). ALL MATERIAL AND WORKMANSHIP TO BE IN ACCORDANCE WITH THE STATE OF VERMONT AGENCY OF TRANSPORTATION STANDARD SPECIFICATIONS FOR CONSTRUCTION DATED 2006 WITH LATEST REVISIONS AND THE AASHTO LRFD BRIDGE DESIGN SPECIFICATIONS FOR HIGHWAY BRIDGES DATED 2004 AND ITS LATEST REVISIONS.

MATERIAL SPECIFICATIONS

- 1). UNLESS OTHERWISE NOTED, ALL STEEL TO BE AASHTO M270M GRADE 345W.
- 2). MATERIAL NOTED "CVN" OR "H2-3" ON DETAIL DRAWINGS SHALL BE CHARPY V-NOTCH TESTED IN ACCORDANCE WITH THE REQUIREMENTS OF VERMONT STANDARD SPECIFICATIONS SECTION 714.01.
- 3). HIGH STRENGTH BOLTS: $\frac{7}{8}$ " ϕ ASTM A325 TYPE 3 IN $\frac{15}{16}$ " ϕ HOLES (UN). NUTS SHALL BE A563 GRADE C3. BOLTS & NUTS SHALL BE ROTATIONAL CAPACITY TESTED. DO NOT MIX NUTS & BOLTS FROM DIFFERENT CONTAINERS UNLESS ALL BOLTS & NUTS HAVE THE SAME LOT NUMBER.



~~All steel shall be detailed per AASHTO M270M~~ CPW 7/1/10.

WELDING

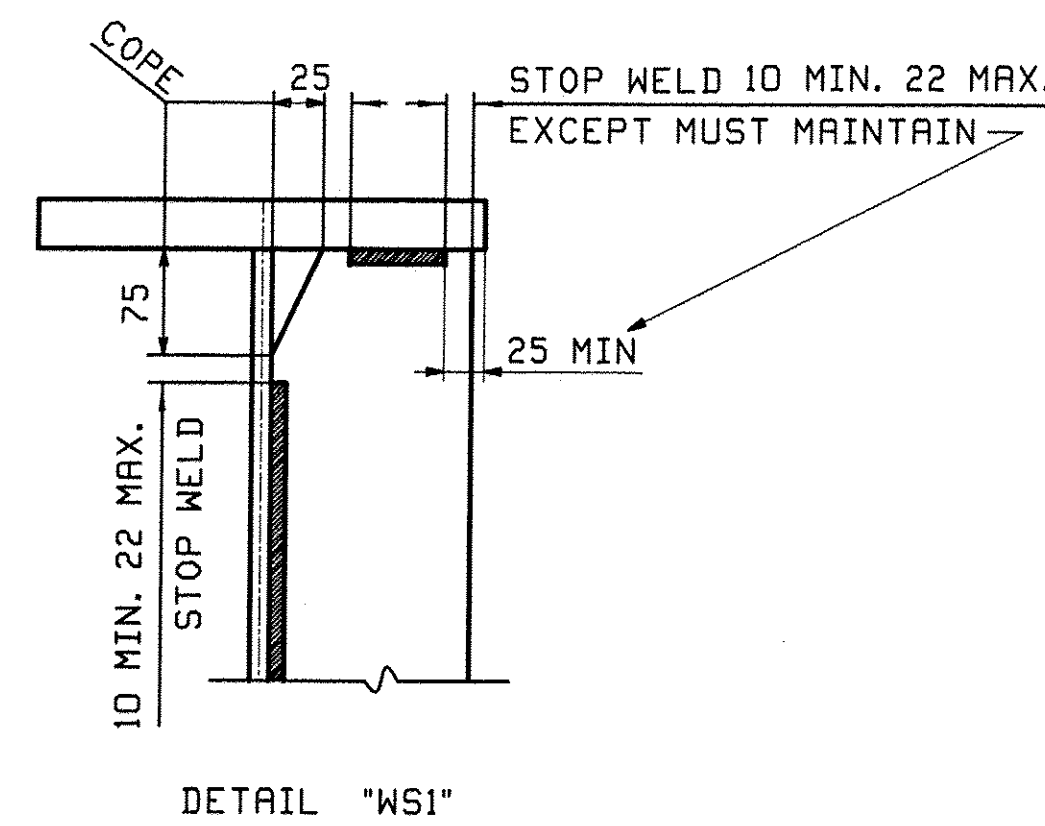
- 1). THE CONFIGURATION OF THE WELD JOINTS AND ALL WELDING PROCEDURES SHALL BE IN ACCORDANCE WITH AASHTO/AWS D1.5-02 BRIDGE WELDING CODE AND IN ADDITION TO SPECIFICATIONS SHOWN ABOVE. ALL WELDING WILL BE DETAILED TO PRE-QUALIFIED JOINTS, UNLESS PROHIBITED BY THE DESIGNER.
- 2). WELDING OF MAIN LOAD CARRYING MEMBERS AND ATTACHMENTS SHALL BE PERFORMED USING THE AUTOMATIC SUBMERGED ARC & SHIELDED METAL ARC PROCESSES. ALL WELDS ARE CONTINUOUS U.N.
- 3). NON DESTRUCTIVE TESTING OF WELDS SHALL BE IN ACCORDANCE WITH THE REFERENCED SPECIFICATION.
- 4). SEE DETAIL "WS1" ON THIS DRAWING FOR WELD TERMINATION DETAIL.

CLEANING

1. ALL STEEL SHALL BE BLAST CLEANED IN ACCORDANCE WITH SSPC SP-6.
2. STRUCTURAL STEEL SHALL NOT BE PAINTED.

FIELD CONNECTIONS

- 1). ALL FIELD CONNECTIONS SHALL BE MADE WITH $\frac{7}{8}$ " DIAMETER HIGH STRENGTH A-325 TYPE 3 BOLTS (UN), INSTALLED PER SECTION 506.19(c). SEE DWG E1 FOR FIELD BOLT SIZES.
- 2). BOLTS SHALL HAVE HEAVY HEX NUT, HEAVY HEX HEAD, AND AT LEAST ONE FLAT WASHER EACH. WASHER TO BE PLACED UNDER TURNED ELEMENT.
- 3). PIECE MARKS WILL BE LOCATED AS SHOWN ON ERECTION DRAWINGS.



RECEIVED

JUN 25 2010
COLD RIVER BRIDGES LLC

REV.	DATE	REMARKS	DWN	CHK	APVL	SHOP
0	6/23	Remove hole drilling note	WL	SF	6/24/10	4/16/10
MATERIAL: SURFACE PREP. & PAINT: HOLES: SHOP BOLTS:						
DESCRIPTION: GENERAL NOTES						
CASCO BAY STEEL STRUCTURES, INC. 75 SPRING HILL ROAD SACO, MAINE 04072 PHONE (207) 282-7360 FAX. (207) 282-1179						
STRUCTURE: BRIDGE NO. 31 ON TOWN HIGHWAY NO. 3 BRIDGE PROJECT READSBORO County of BENNINGTON			DRAWN: JTJ CHKD: ELC		DATE: 03/23 4/14/10	
LOCATION: TOWN OF READSBORO, VERMONT			JOB NO. 445		DWG NO. GNI	
PROJ NO. BRO 1441(25)			REV. 1		REV. 1	
CUSTOMER: COLD RIVER BRIDGE LLC						

RECEIVED
CHK'D BY: H.S. DTD BY: DDB
JUN 28 2010
RESUBMIT APPROVED ✓
BY CPW DATE 7/1/10

NOTE TO ENGINEER:
THESE NOTES ARE NOT INTENDED TO BE ALL INCLUSIVE AND COMPLIANCE WITH RELEVANT SPECIFICATIONS REMAIN UNCHANGED.