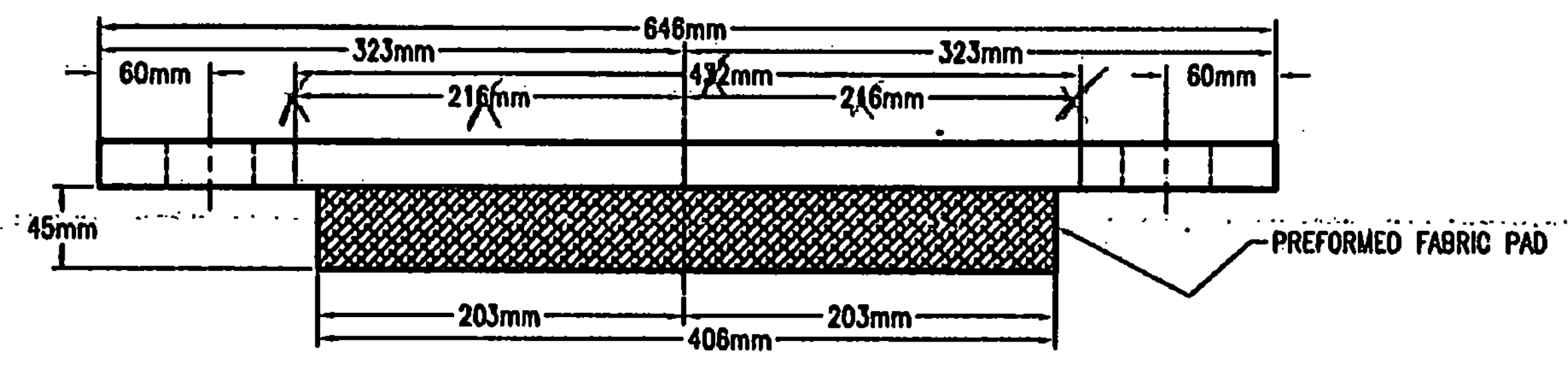
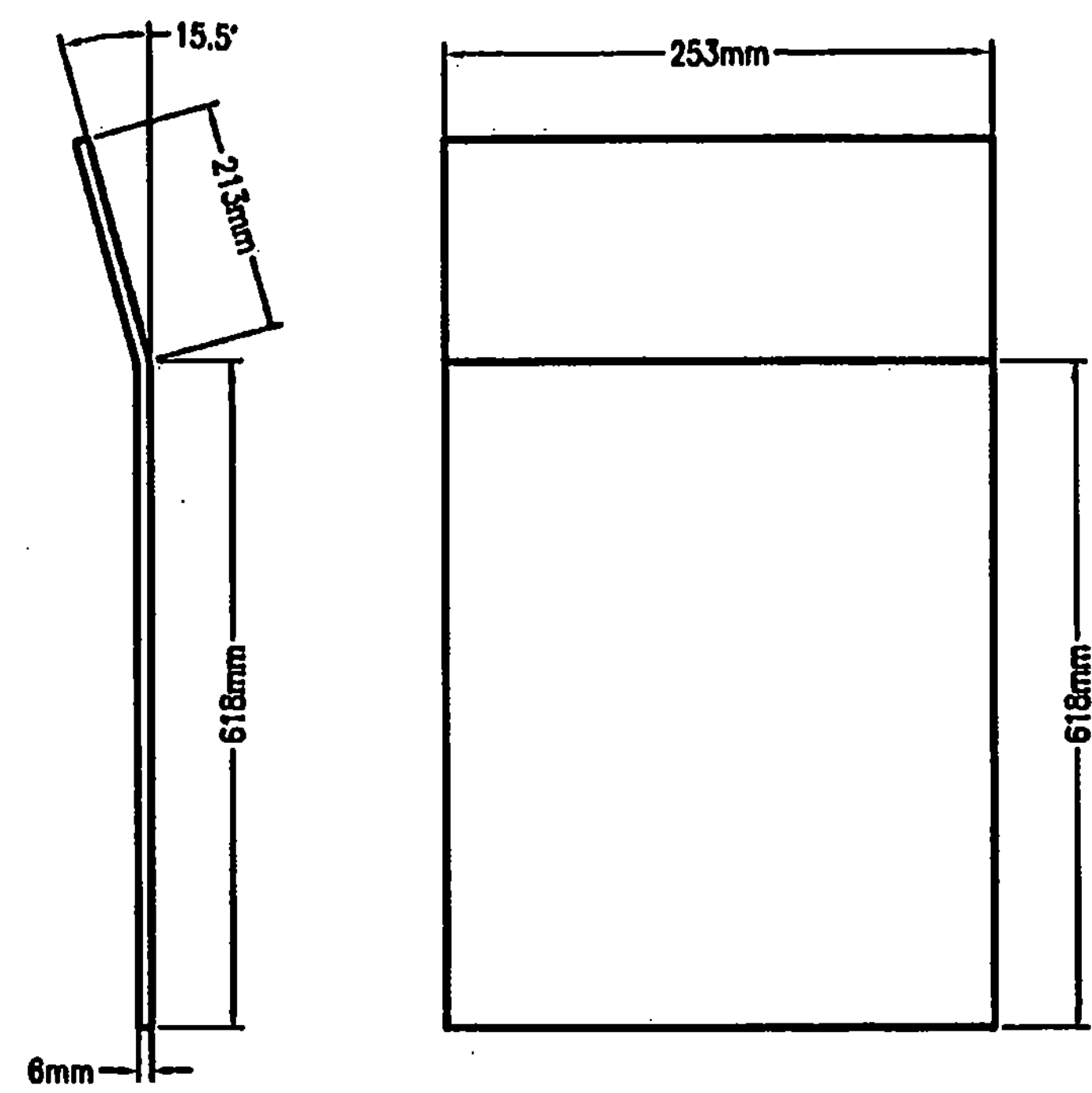
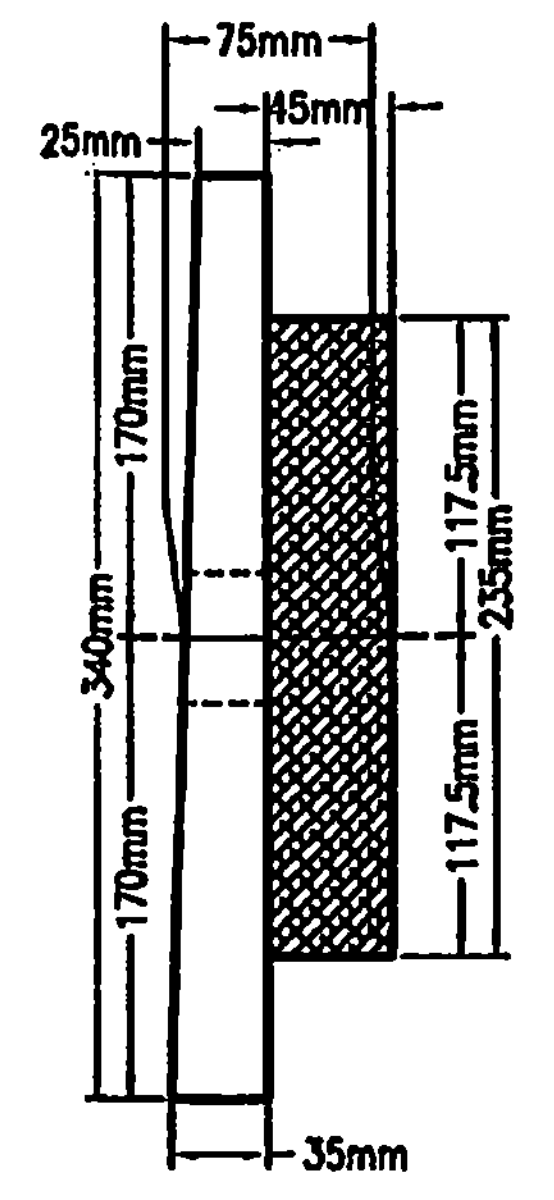
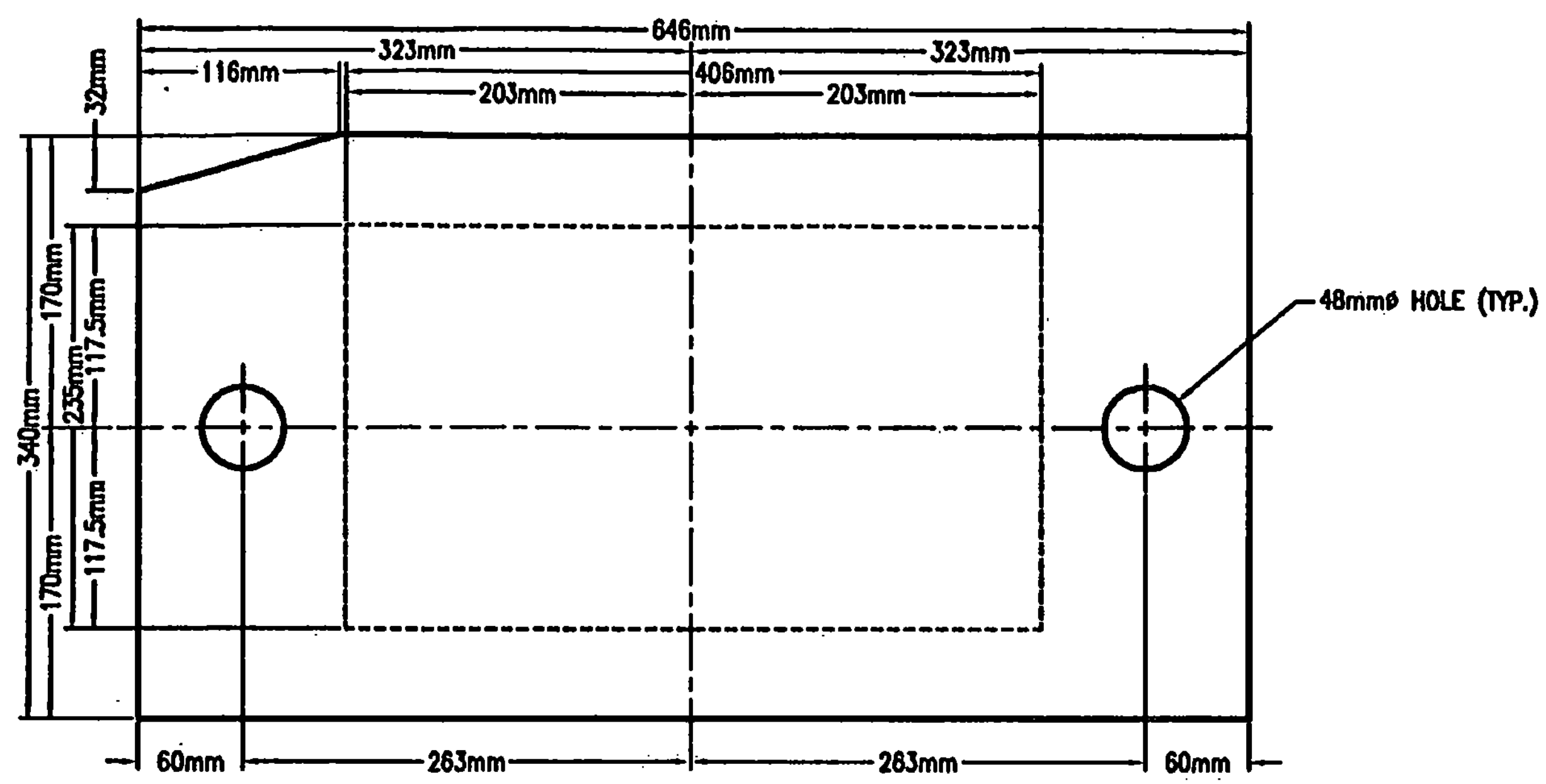


REVISIONS			
NO.	REV.	DESCRIPTION	DATE

65- BRIDGE BEARING



ELEVATION VIEW
QTY REQ'D = 4 ASSY.
ABUTMENT NO. 2

RECEIVED
 OK'D BY 1115 OK'D BY DDT3
 JUN 02 2010
 RESUBMIT _____ APPROVED As Noted
 BY CPW DATE 6/22/10

VERMONT AGENCY OF TRANSPORTATION TOWN OF READSBORO VTR BRIDGE NO. 31 OVER DEERFIELD RIVER PROJECT NO. BR1441 (25)		
FIXED PREFORMED FABRIC BEARING DETAIL		
AMSCOT		
STRUCTURAL PRODUCTS CORP. DOVER, NJ JOB # 3426		
SCALE: N.T.S.	APPRVD: B.F.	DRAWN BY: C.A.M.
DATE: 4/30/10	REVISION: 0	
FOR: COLD RIVER BRIDGE, LLC		
DWG NO: CRB10A2RO	SHEET NO. 2 OF 2	