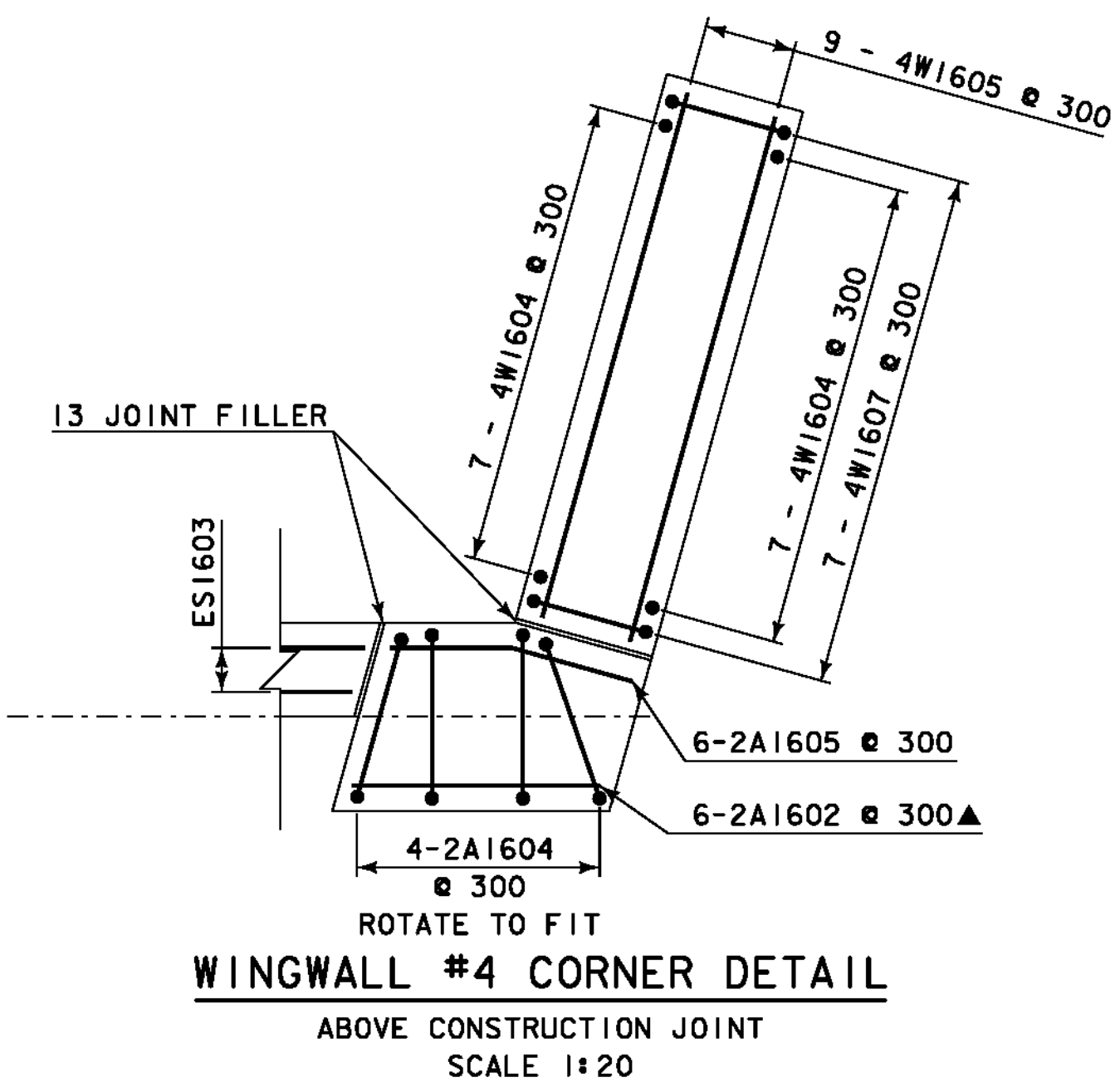
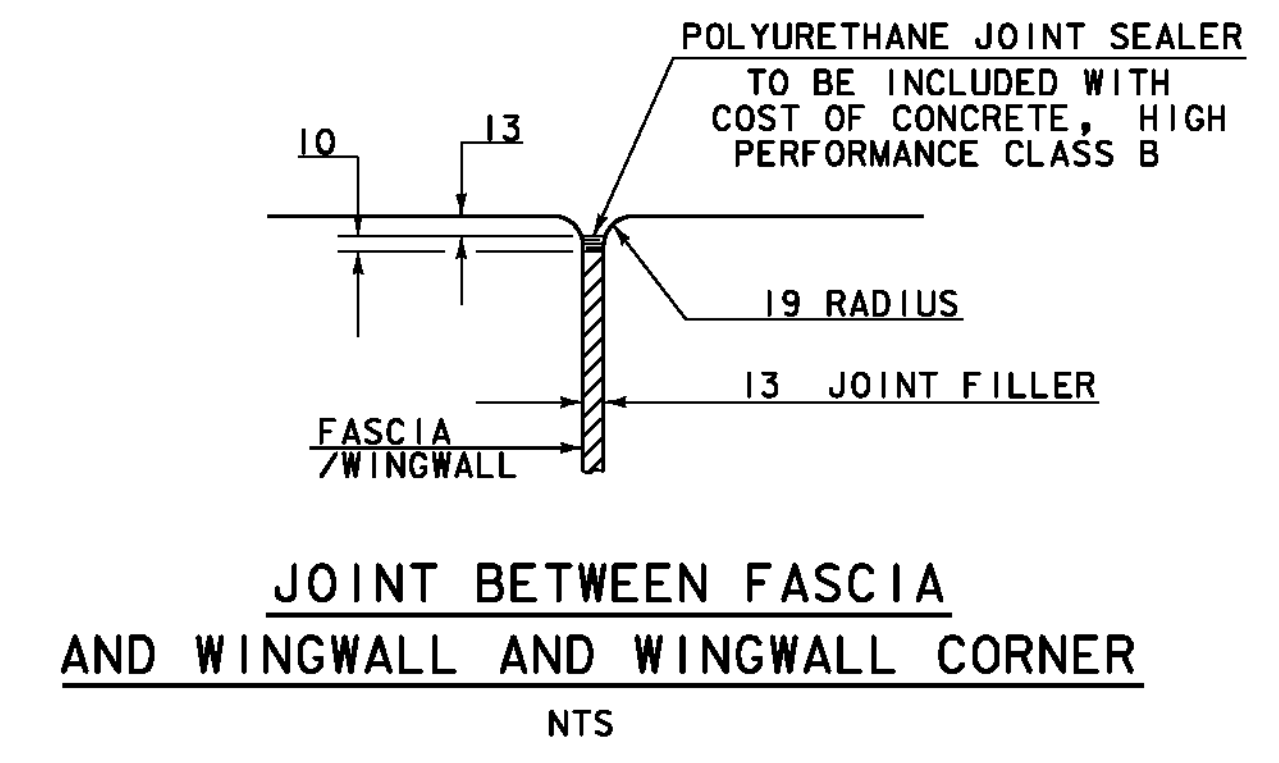


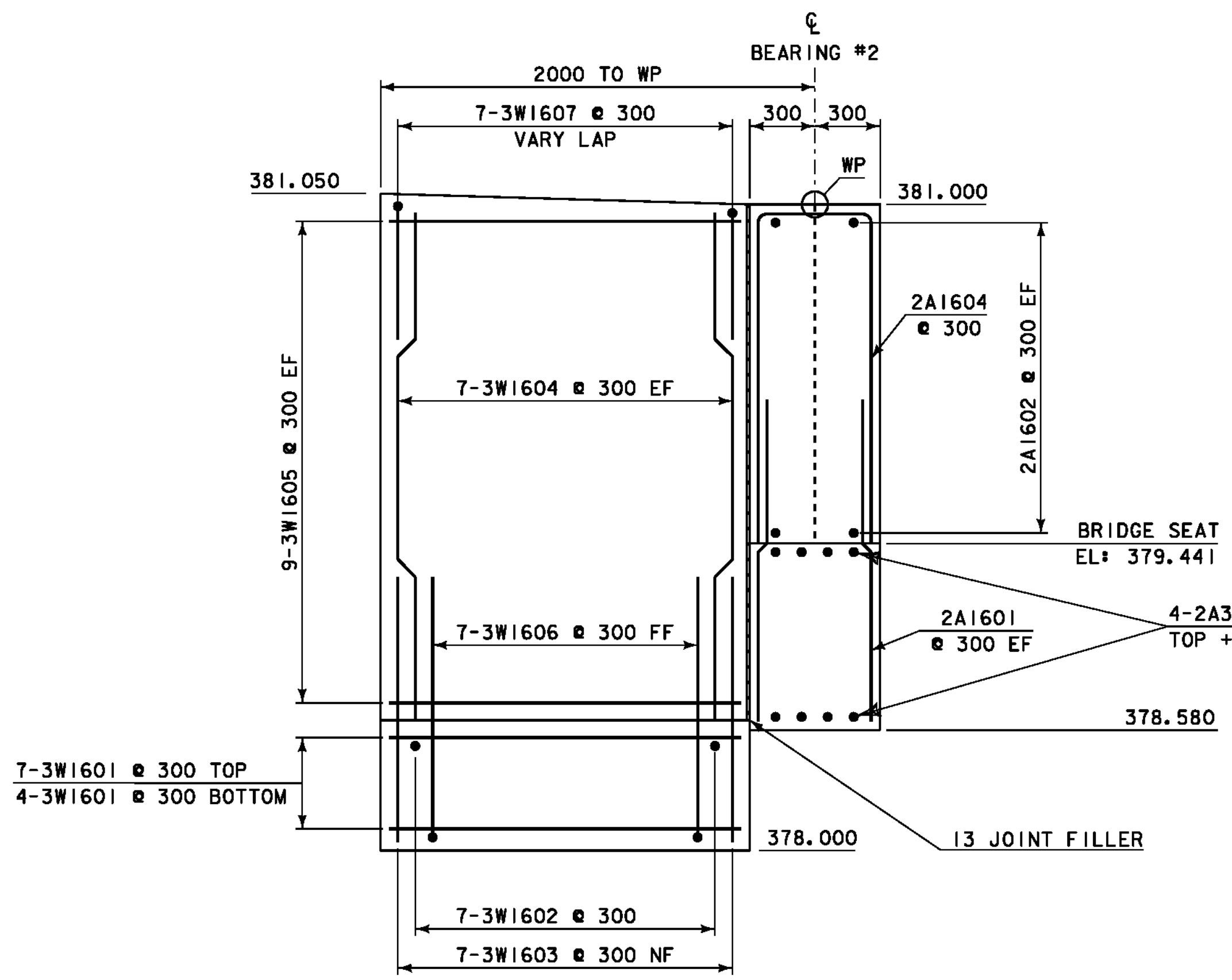
**WINGWALL #3 CORNER DETAIL**  
ABOVE CONSTRUCTION JOINT  
SCALE 1:20



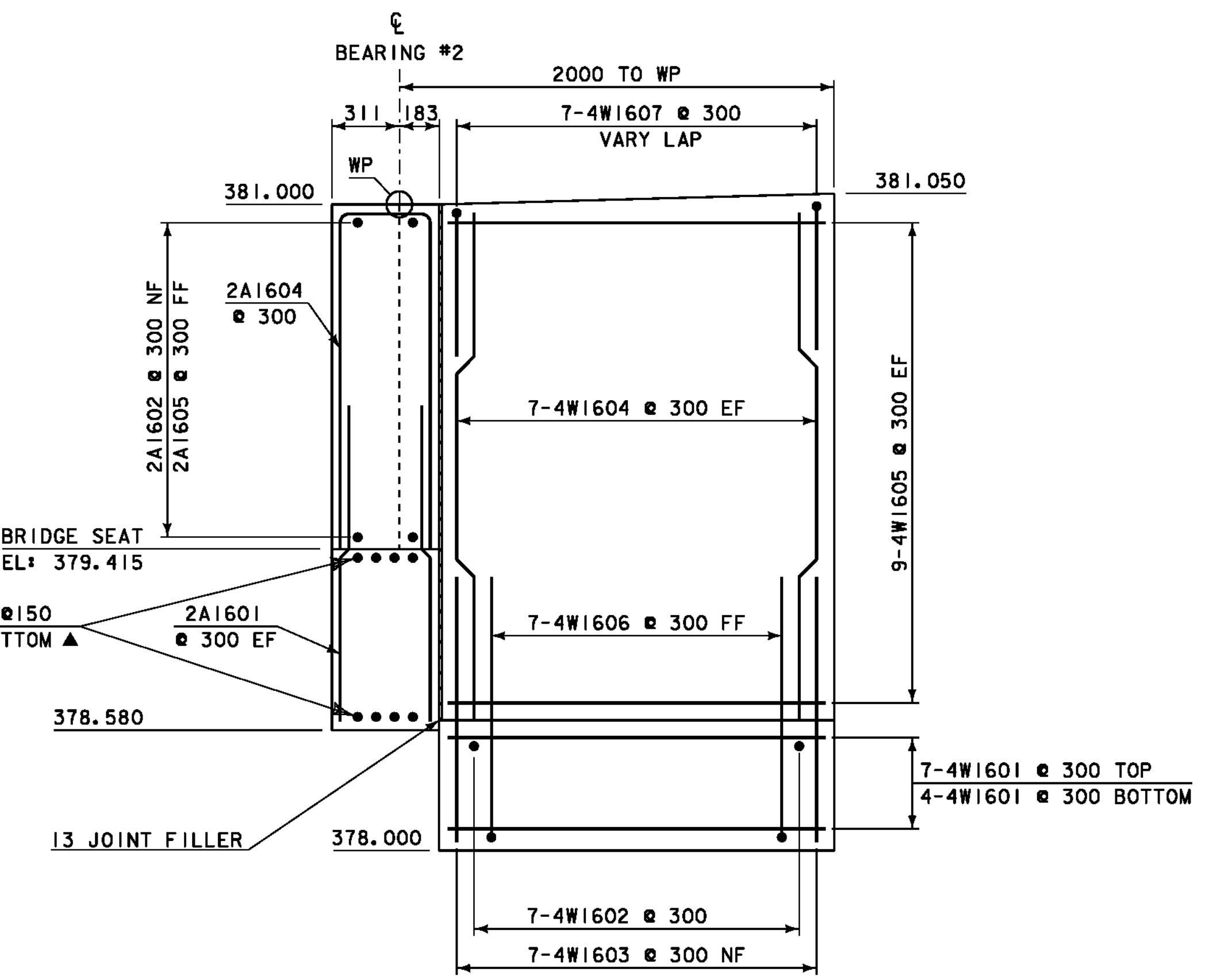
**WINGWALL #4 CORNER DETAIL**  
ABOVE CONSTRUCTION JOINT  
SCALE 1:20



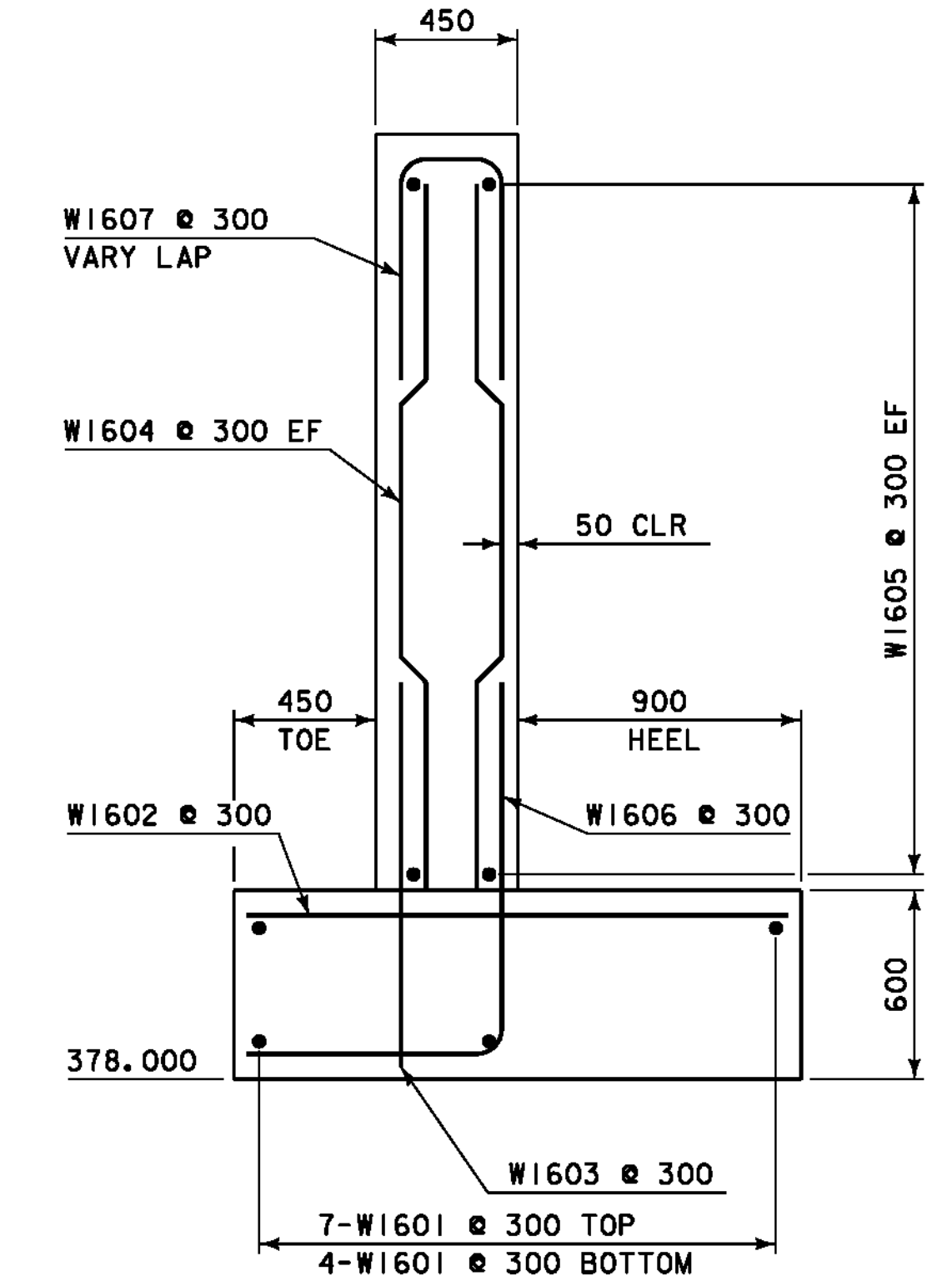
**JOINT BETWEEN FASCIA AND WINGWALL AND WINGWALL CORNER**  
NTS



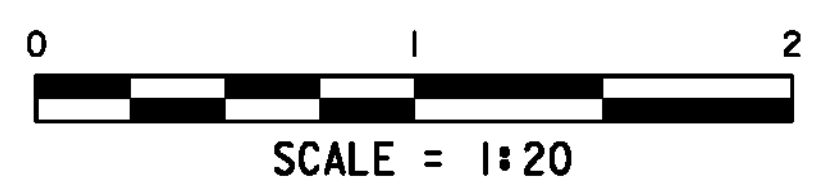
**WINGWALL #3 ELEVATION**  
SCALE 1:20



**WINGWALL #4 ELEVATION**  
SCALE 1:20



**WINGWALL #3 & 4 SECTION**  
SCALE 1:20



**NOTE:**  
NF = NEAR FACE  
FF = FAR FACE  
EF = EACH FACE  
▲ = CUT TO FIT IN FIELD  
80 CLEAR, UNLESS OTHERWISE SPECIFIED ON THE PLANS.  
660 BAR LAP UNLESS OTHERWISE SPECIFIED ON THE PLANS.

PROJECT: <b>READSBORO</b>	PROJECT NO.: <b>BRO 1441 (25)</b>
DESIGN FILE NAME: 94J070\Structures\sj070sub.dgn	PLOT DATE: 05-JAN-2010
IPARM FILE NAME: sj070wwdet2.i	DRAWN BY: D.D. BEARD
DESIGNED BY: H. I. SALLS	CHECKED BY: H. I. SALLS
SQUAD LEADER: C.P. WILLIAMS	SHEET: 28 OF 60
WINGWALL #3 & #4 DETAILS	