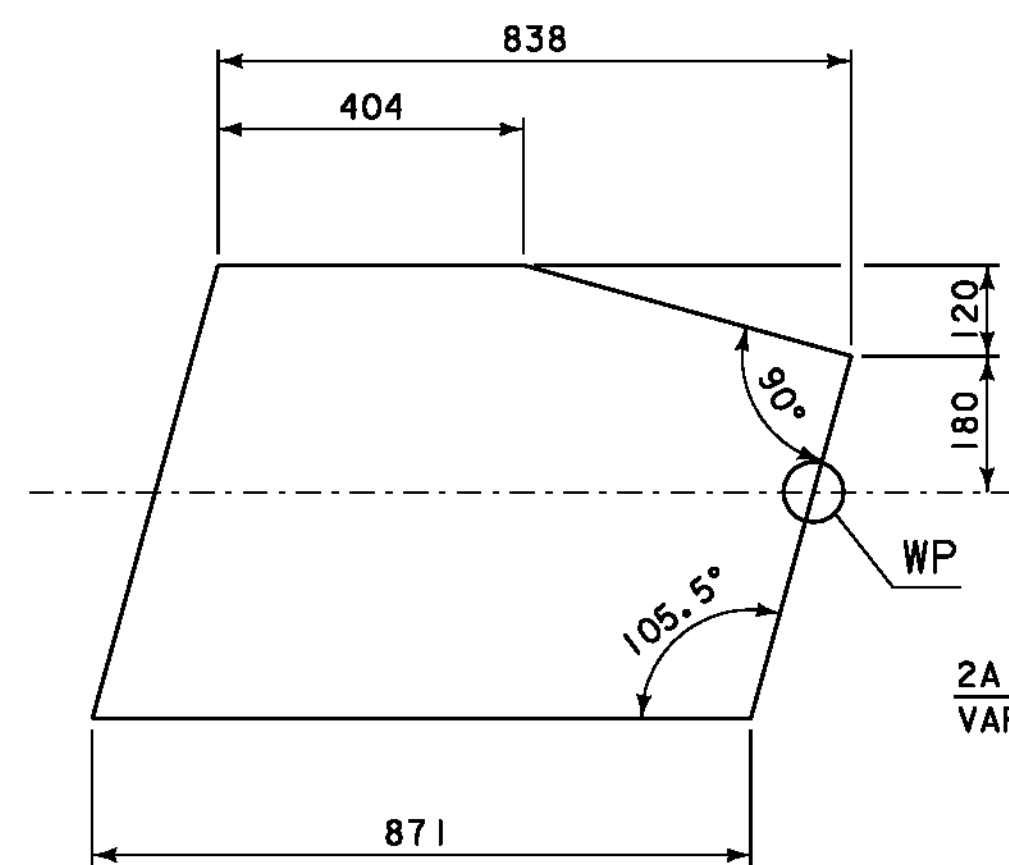


ABUTMENT #2 LAYOUT

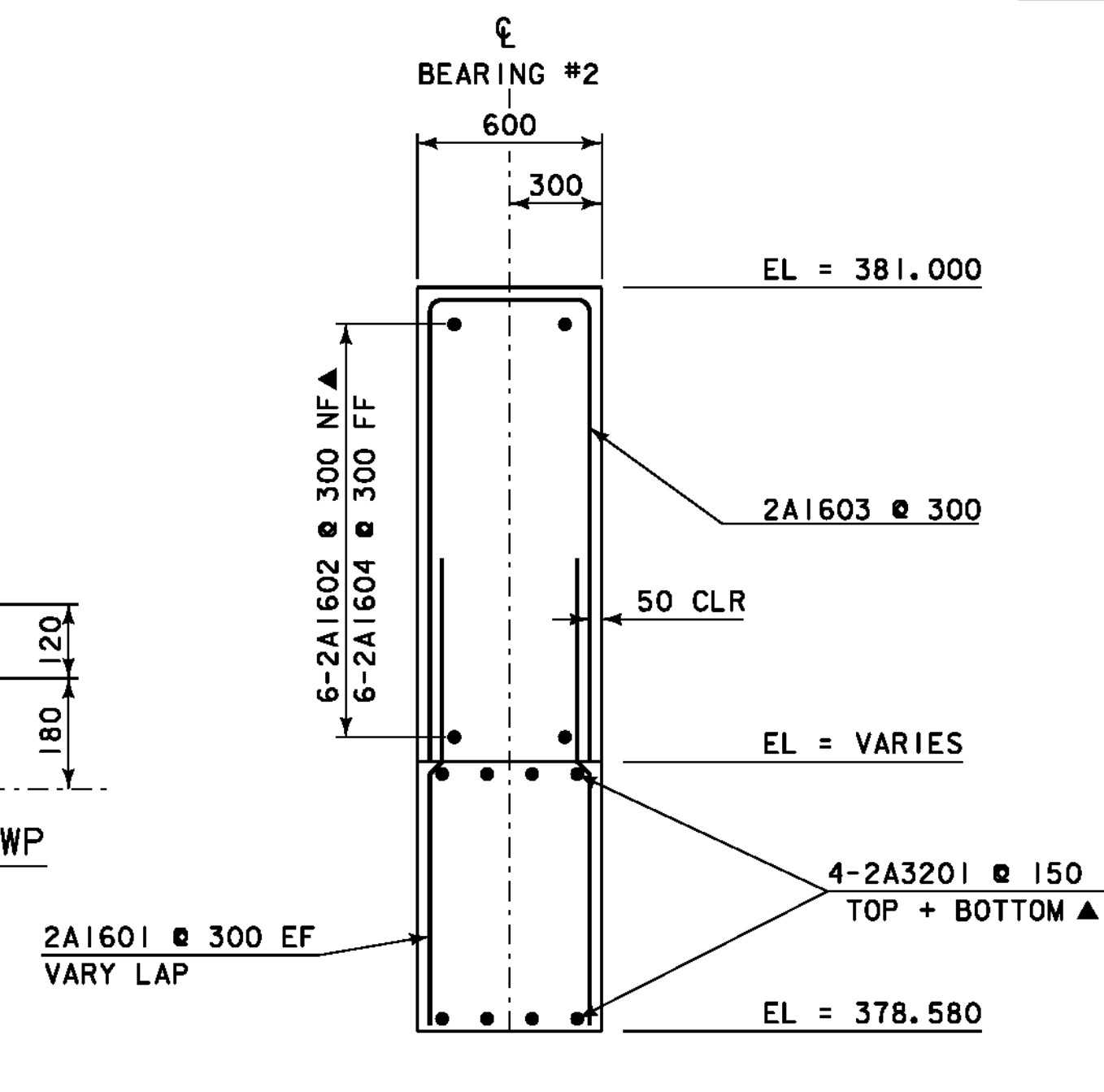
SCALE 1:40

FLOW →



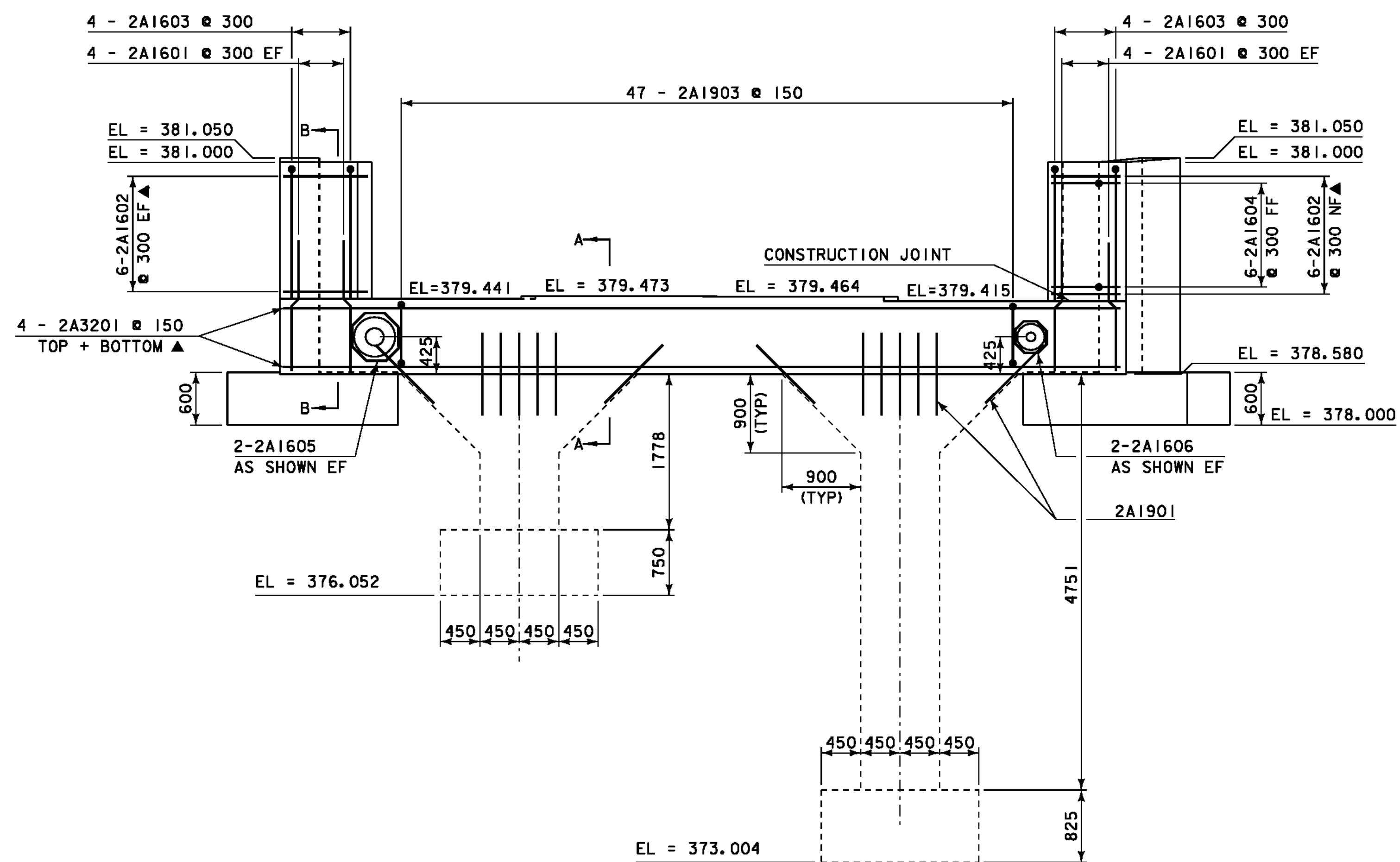
DETAIL A

SCALE 1:10



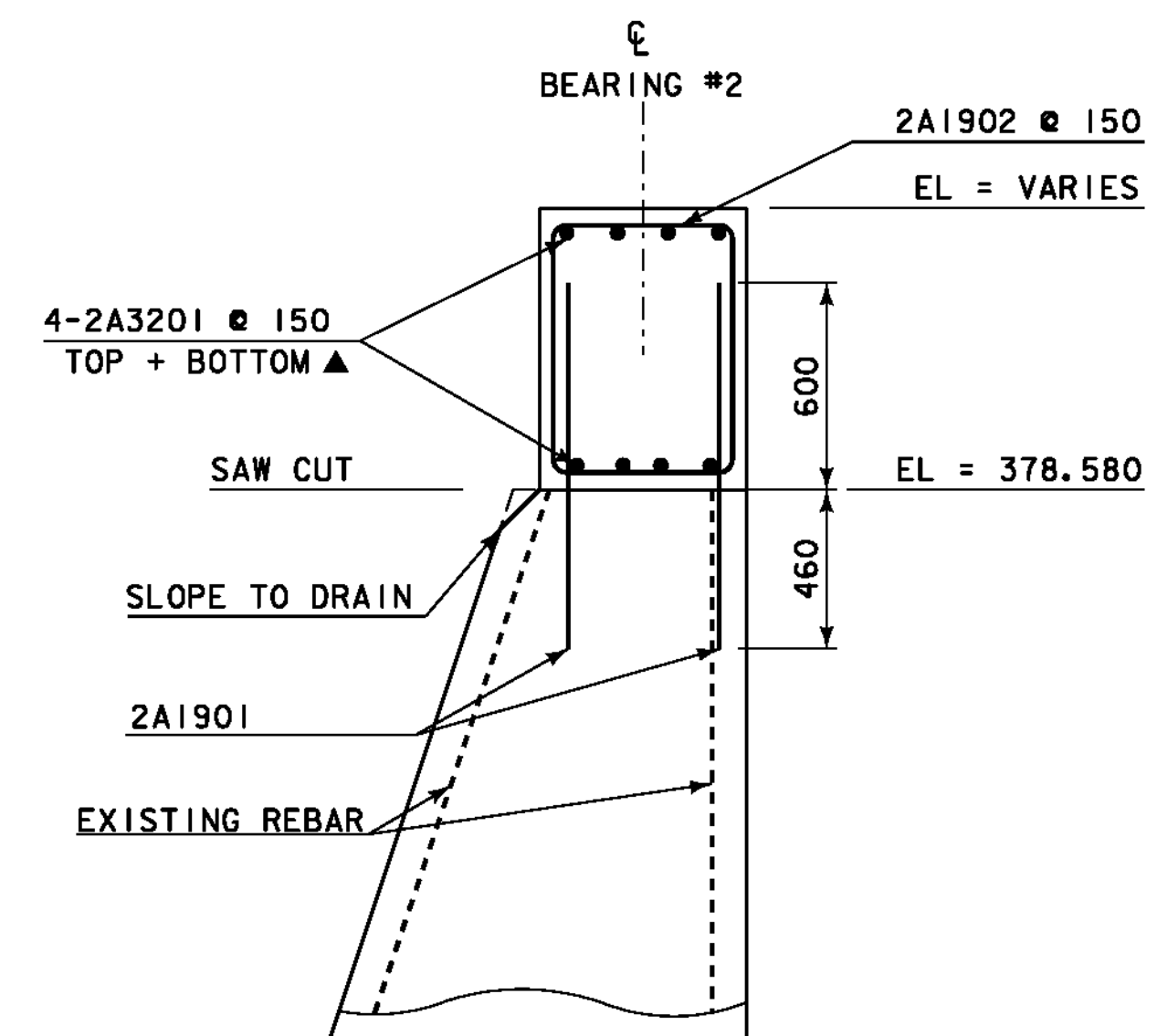
ABUTMENT #2 SECTION "B-B"

SCALE 1:20



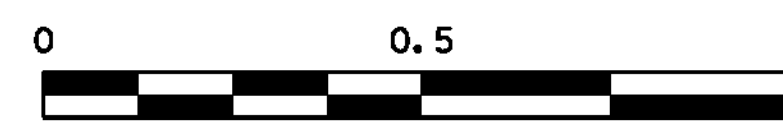
ABUTMENT #2 ELEVATION

SCALE 1:40

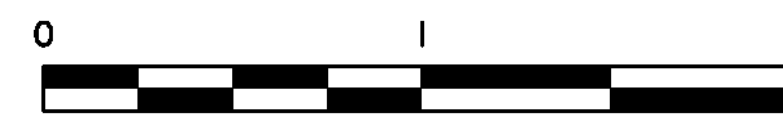


ABUTMENT #2 SECTION "A-A"

SCALE 1:20



SCALE = 1:10



SCALE = 1:20



SCALE = 1:40

NOTE: THE EXISTING REBAR IS TO BE CUT OFF AND REPLACED WITH BARS 2A1901 WHICH ARE TO BE DRILLED AND GROUTED INTO THE EXISTING CONCRETE.

NOTE:
 NF = NEAR FACE
 FF = FAR FACE
 EF = EACH FACE
 ▲ = CUT TO FIT IN FIELD
 80 CLEAR, UNLESS OTHERWISE SPECIFIED ON THE PLANS.
 660 BAR LAP UNLESS OTHERWISE SPECIFIED ON THE PLANS.

PROJECT: READSBORO	PROJECT NO.: BRO 1441 (25)
DESIGN FILE NAME: 94j070\structures\sj070sub.dgn	PLOT DATE: 05-JAN-2010
IPARM FILE NAME: sj070abut2.i	DRAWN BY: D.D. BEARD
DESIGNED BY: H. I. SALLS	CHECKED BY: R. S. YOUNG
SQUAD LEADER: C. P. WILLIAMS	SHEET: 27 OF 60
ABUTMENT #2 DETAILS	