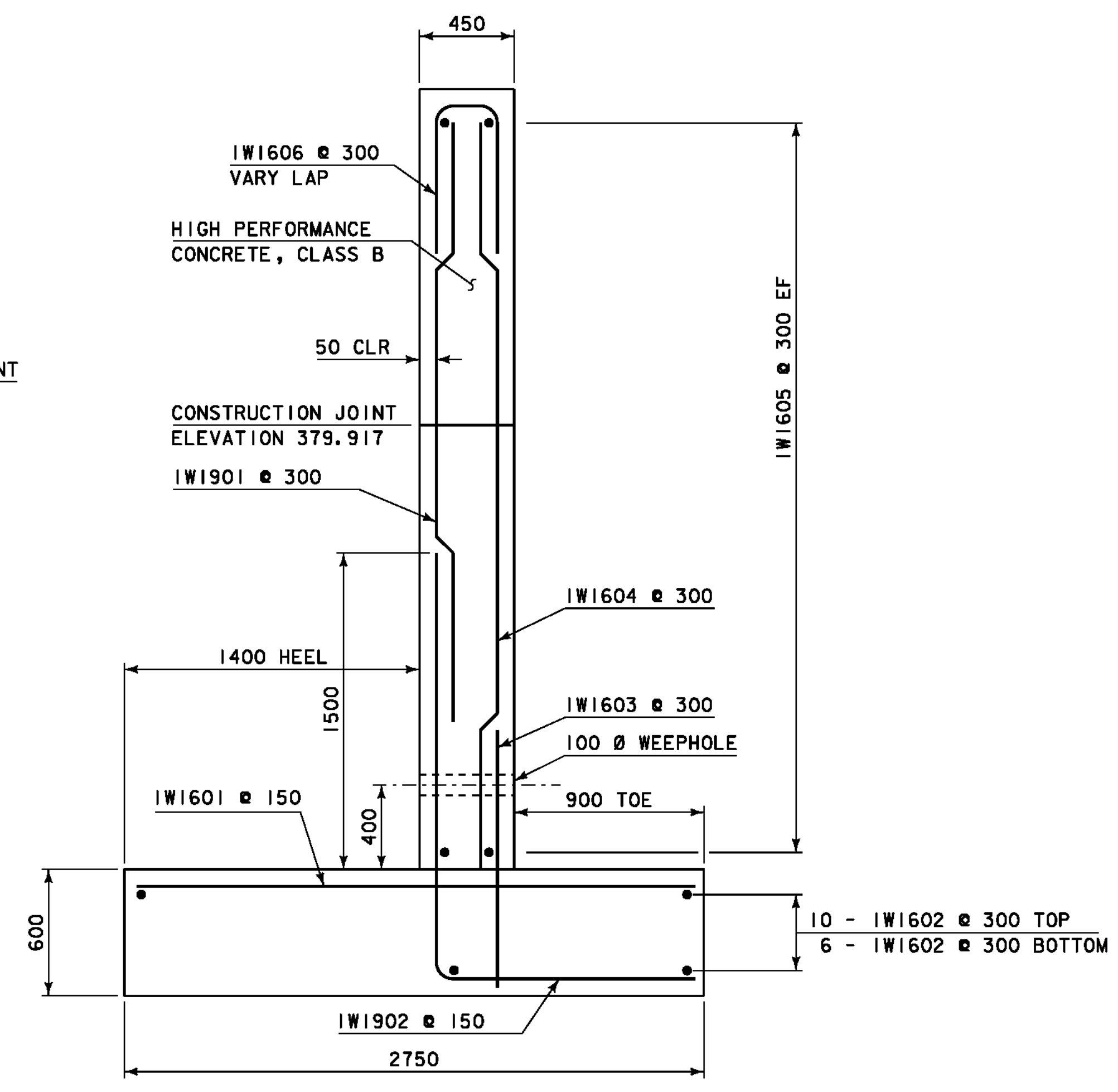
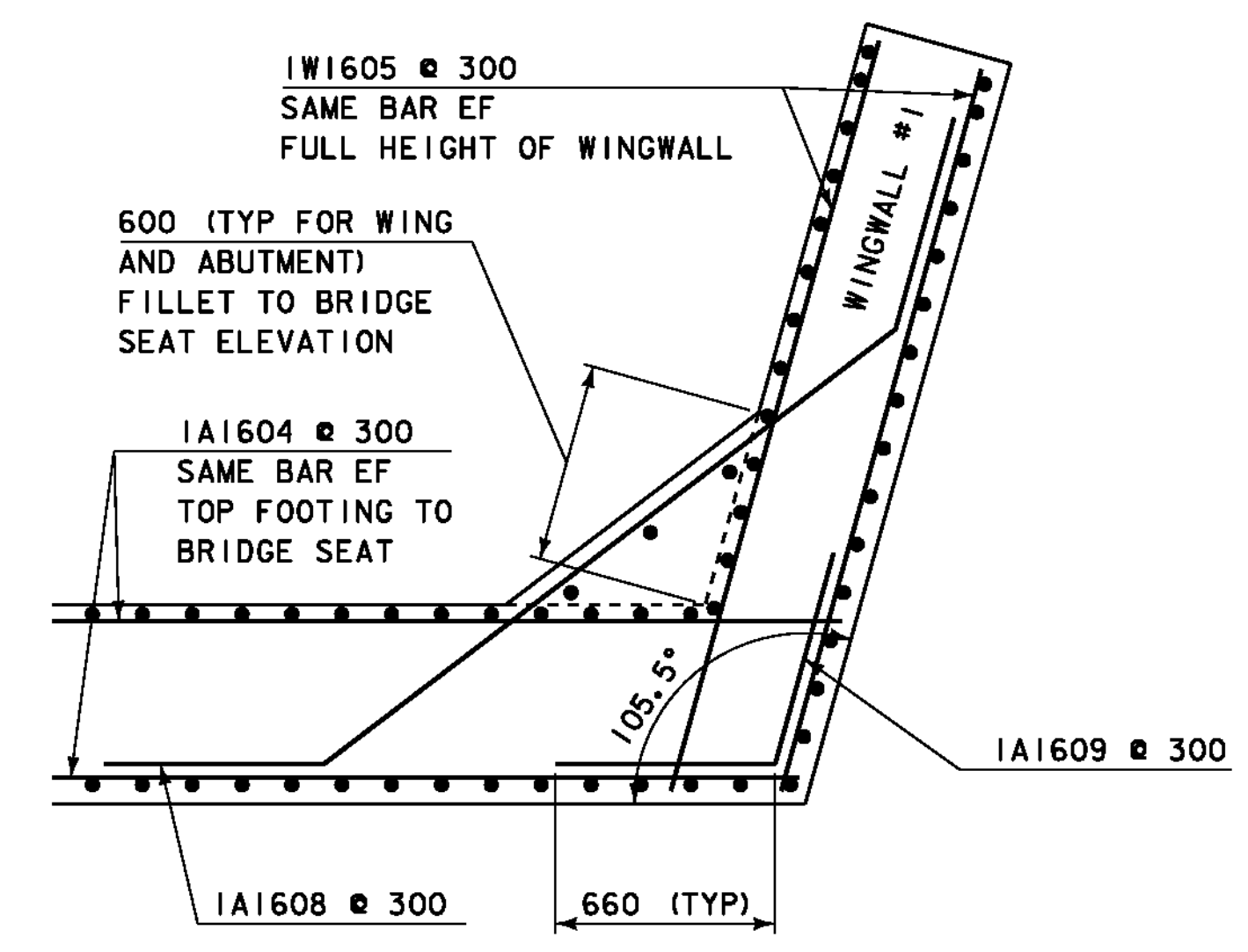


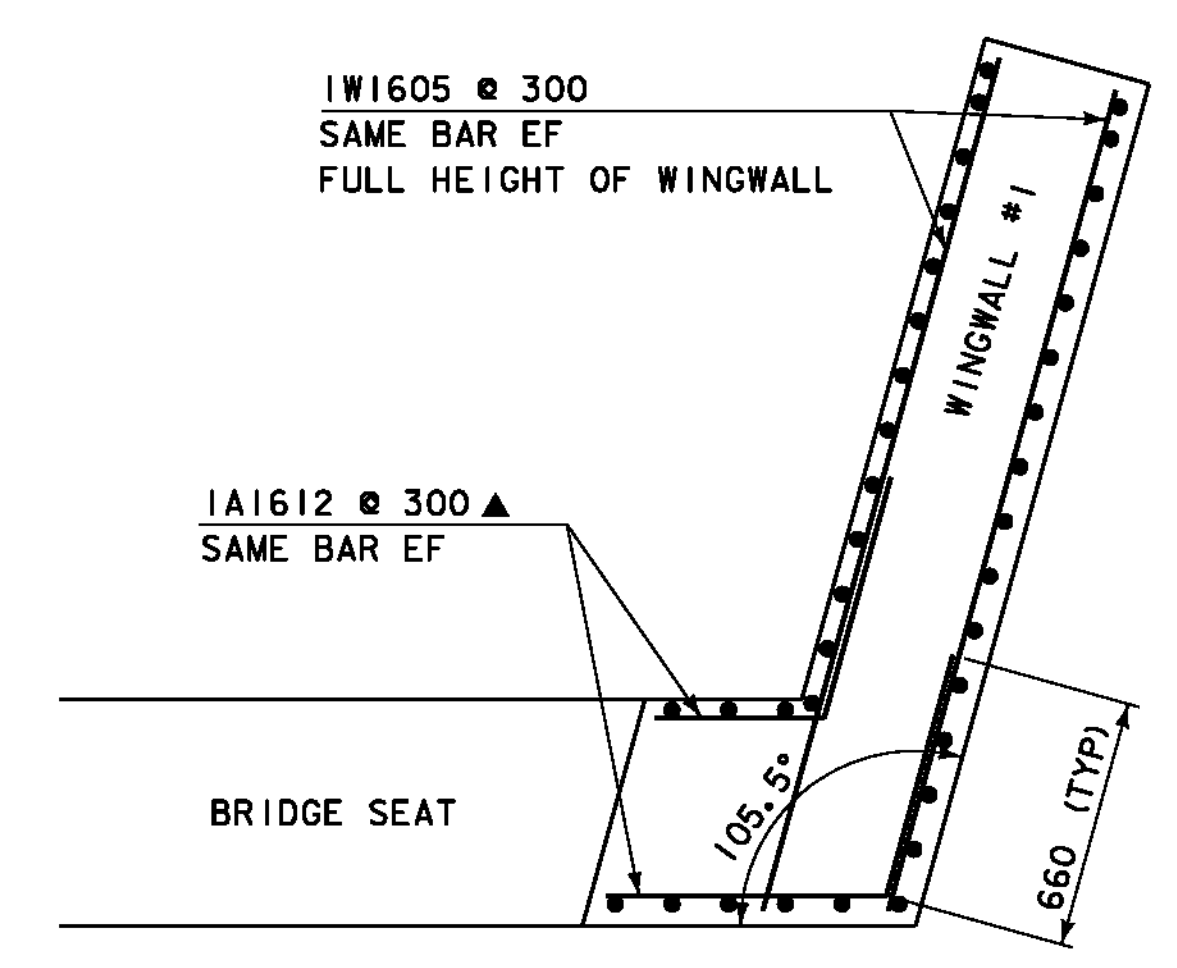
WINGWALL #1 ELEVATION
SCALE = 1:20



WINGWALL #1 SECTION
SCALE = 1:20

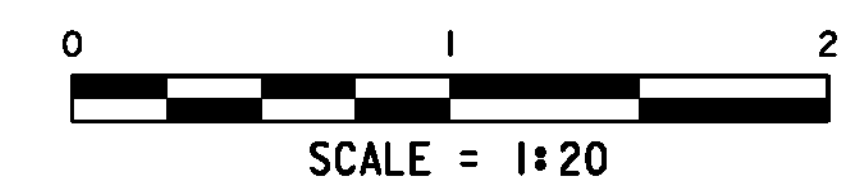


WINGWALL #1 CORNER DETAIL BELOW BRIDGE SEAT
SCALE = 1:20



WINGWALL #1 CORNER DETAIL ABOVE BRIDGE SEAT
SCALE = 1:20

NOTE:
NF = NEAR FACE
FF = FAR FACE
EF = EACH FACE
▲ = CUT TO FIT IN FIELD
80 CLEAR, UNLESS OTHERWISE SPECIFIED ON THE PLANS.
660 BAR LAP UNLESS OTHERWISE SPECIFIED ON THE PLANS.



PROJECT: READSBORO	PROJECT NO. : BRO 1441 (25)
DESIGN FILE NAME: 94J070\structures\sj070sub.dgn	PLOT DATE: 05-JAN-2010
IPARM FILE NAME: sj070wwde+1.i	DRAWN BY: D.D. BEARD
DESIGNED BY: H. I. SALLS	CHECKED BY: H. I. SALLS
SQUAD LEADER: C.P. WILLIAMS	SHEET: 26 OF 60
WINGWALL #1 DETAILS	