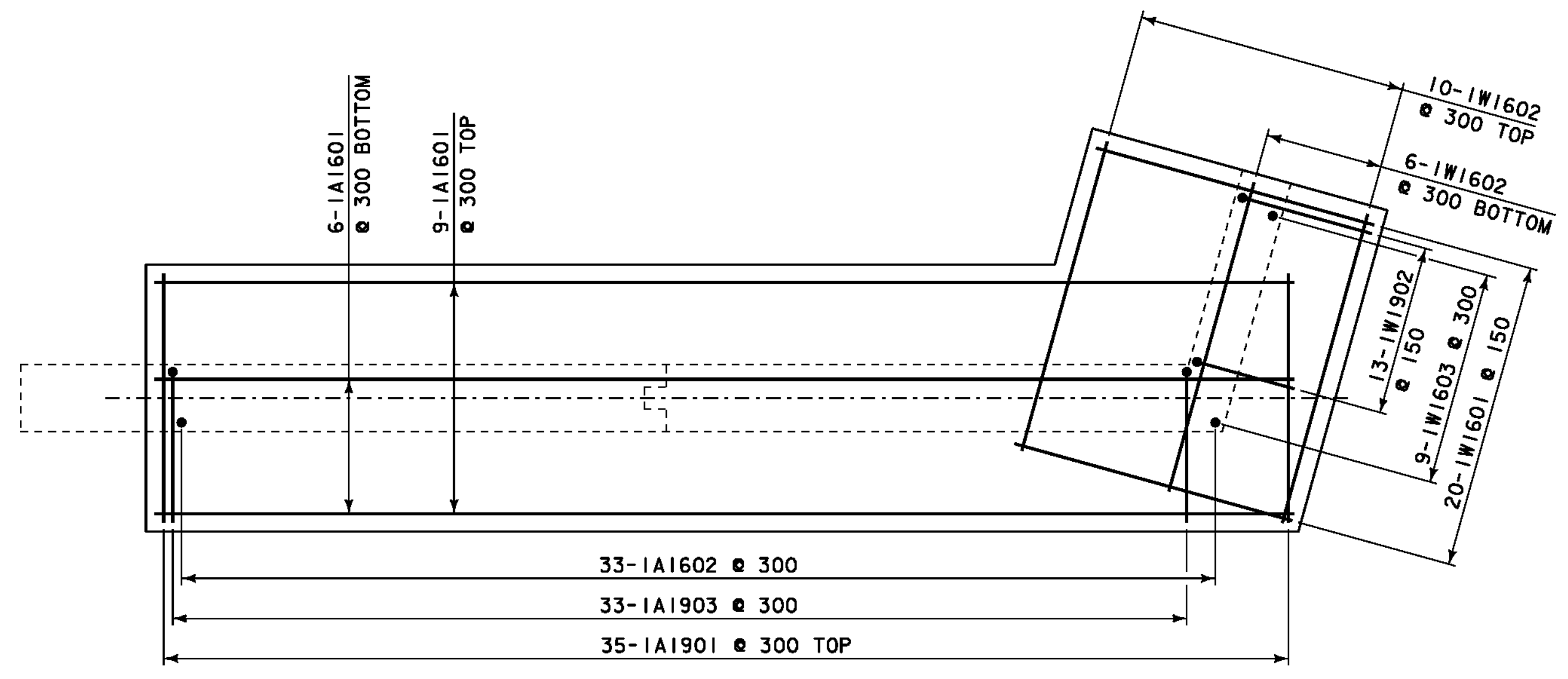


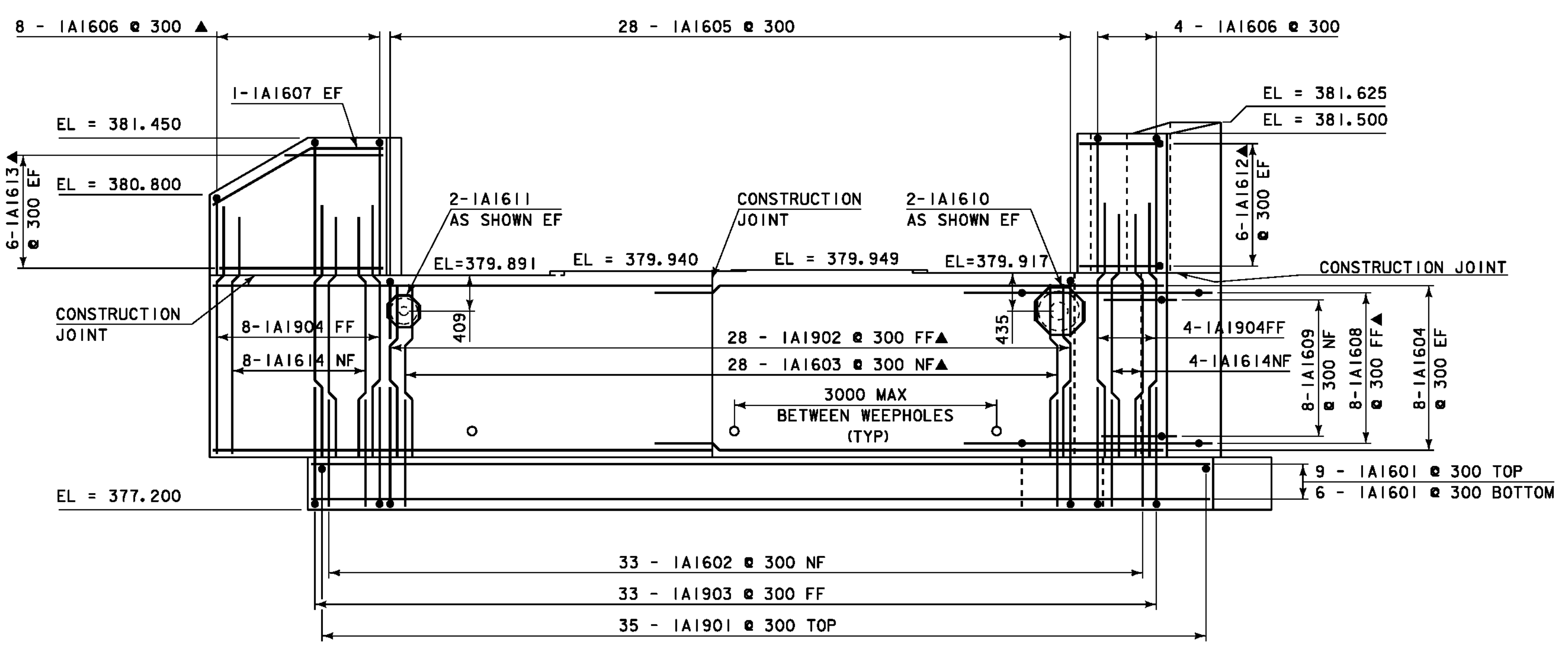
ABUTMENT #1 LAYOUT
SCALE 1:40

← FLOW

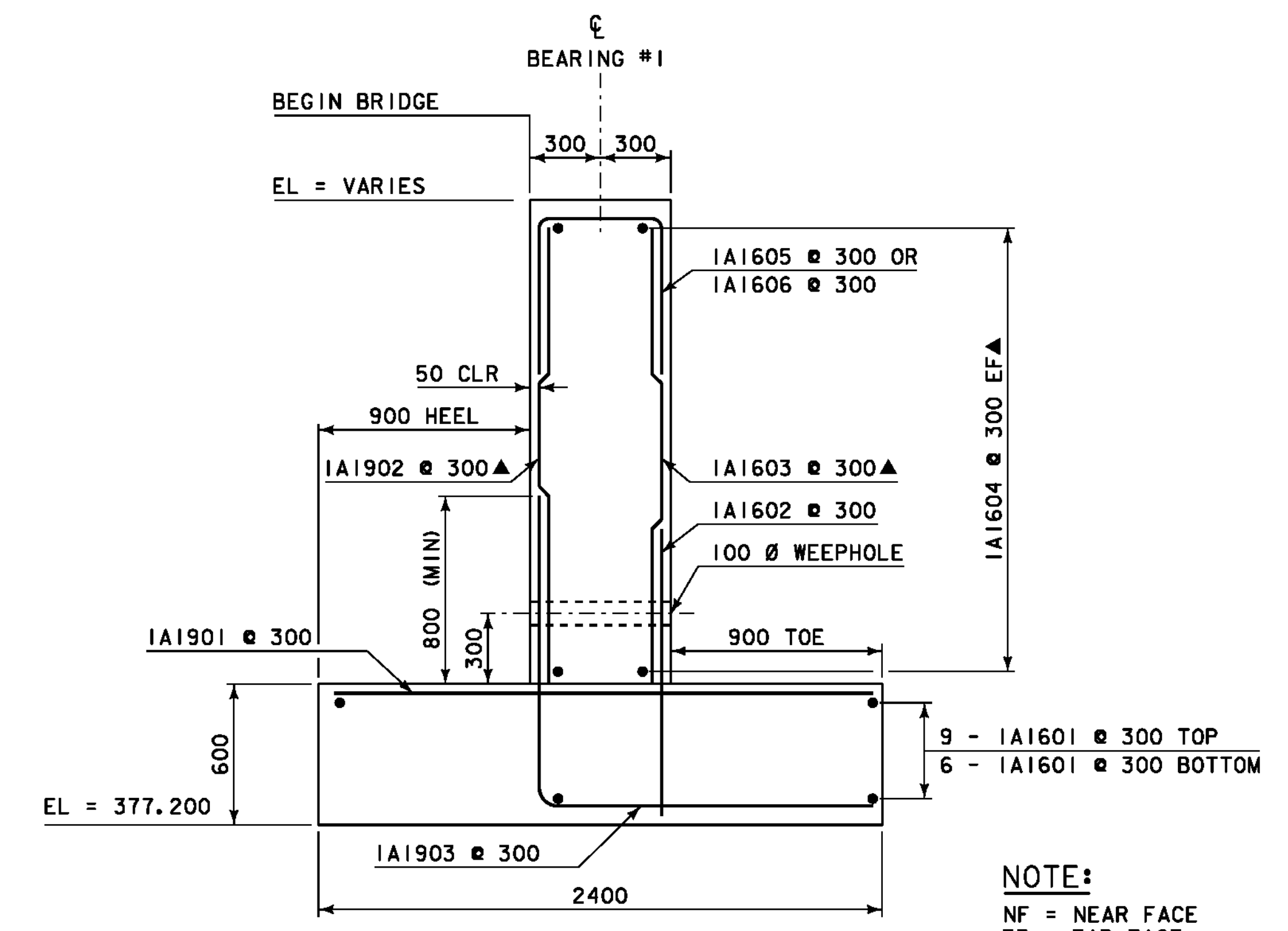


ABUTMENT #1 FOOTING DETAIL
SCALE 1:40

← FLOW

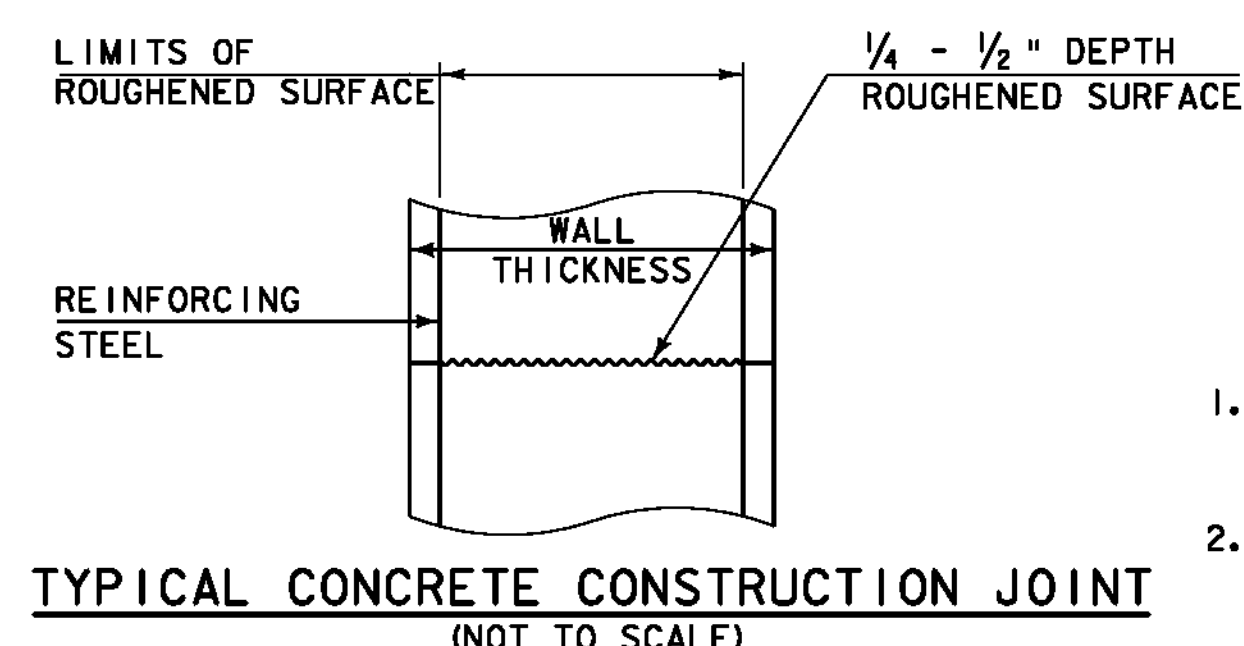
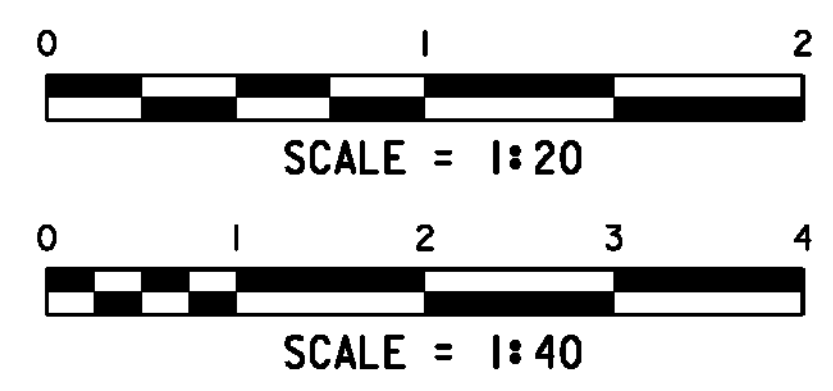


ABUTMENT #1 ELEVATION
SCALE 1:40



ABUTMENT #1 TYPICAL SECTION
SCALE 1:20

NOTE:
NF = NEAR FACE
FF = FAR FACE
EF = EACH FACE
▲ = CUT TO FIT IN FIELD
80 CLEAR, UNLESS OTHERWISE SPECIFIED ON THE PLANS.
660 BAR LAP UNLESS OTHERWISE SPECIFIED ON THE PLANS.



1. THE SURFACE OF THE CONCRETE CONSTRUCTION JOINTS SHALL BE CLEANED AND FREE OF LAITANCE.
2. IMMEDIATELY BEFORE NEW CONCRETE IS PLACED, ALL CONSTRUCTION JOINTS SHALL BE WETTED AND STANDING WATER REMOVED.

PROJECT: READSBORO	PROJECT NO.: BRO 1441 (25)
DESIGN FILE NAME: 94J070\Structures\sj070sub.dgn	PLOT DATE: 05-JAN-2010
IPARM FILE NAME: sj070abut1.i	DRAWN BY: D.D. BEARD
DESIGNED BY: H. I. SALLS	CHECKED BY: R. S. YOUNG
SQUAD LEADER: C. P. WILLIAMS	SHEET: 25 OF 60
ABUTMENT #1 DETAILS	