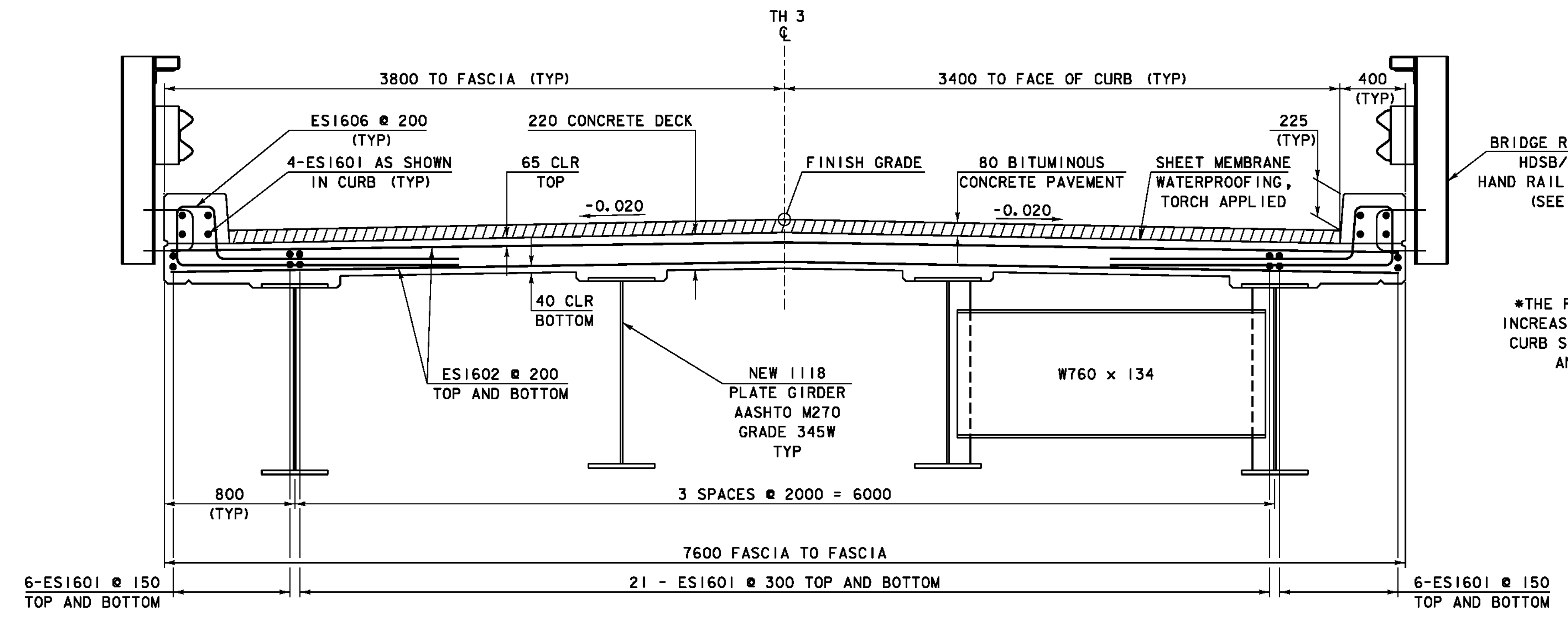


NOTE: SHEET MEMBRANE WATERPROOFING SHALL EXTEND TO FACE OF CURB

150 TO 20 DRIP NOTCH STOP DRIP NOTCH 1000 FROM FACE OF ABUTMENT AND OUTLET @ 45 TO FASCIA

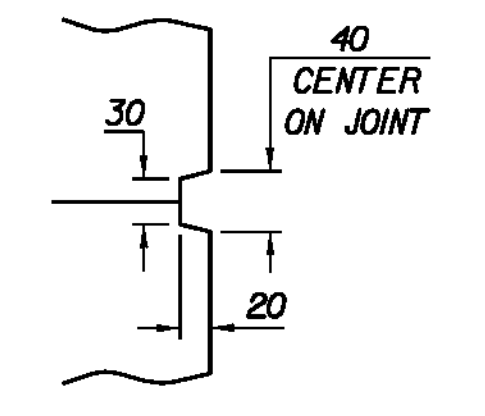
TYPICAL CURB SECTION WITH MODIFIED ANCHORAGE DETAIL
(NOT TO SCALE)



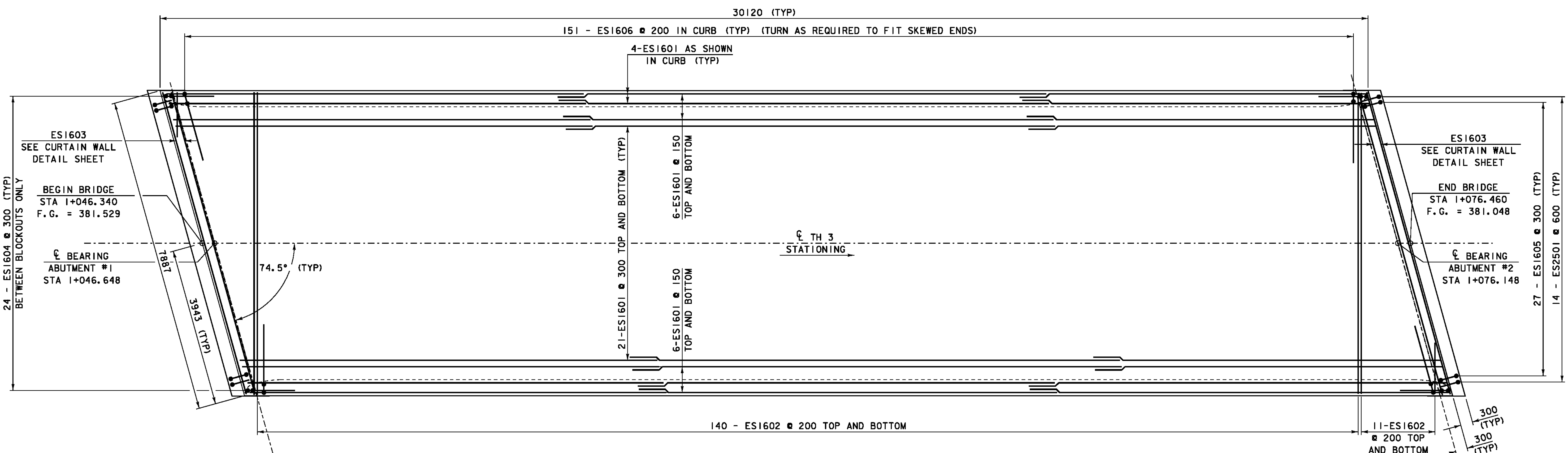
TYPICAL BRIDGE REINFORCING
(SCALE 1:20)

BRIDGE RAILING, GALVANIZED HDSB/FASCIA MOUNTED/HAND RAIL PAINTED BLACK (TYP) (SEE STD SB-R6-82M)

*THE POST LENGTH HAS BEEN INCREASED BY 50. SEE TYPICAL CURB SECTION WITH MODIFIED ANCHORAGE DETAIL.

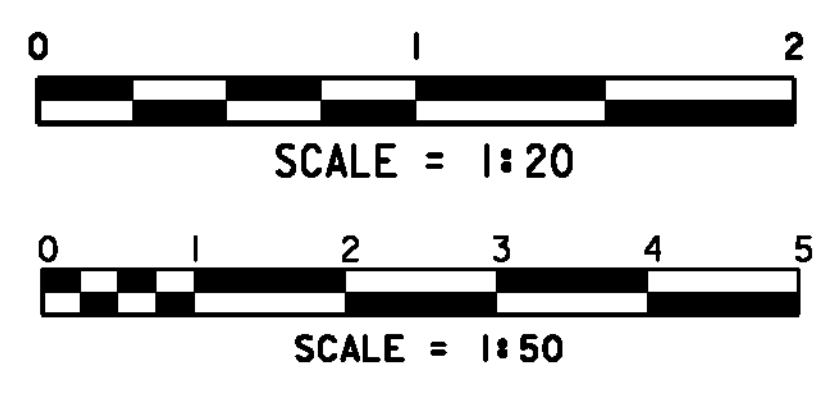


SCORE MARK DETAIL



DECK REINFORCING PLAN
(SCALE 1:50)

NOTES:
NF = NEAR FACE
FF = FAR FACE
EF = EACH FACE
▲ = CUT TO FIT IN FIELD
80 CLEAR UNLESS OTHERWISE SPECIFIED ON THE PLANS
ALL LAPS 660 UNLESS OTHERWISE NOTED.



PROJECT: READSBORO	PROJECT NO.: BRO 1441 (25)
DESIGN FILE NAME: 94J070\structures\sj070sup.dgn	PLOT DATE: 05-JAN-2010
IPARM FILE NAME: 94J070deckrein.i	DRAWN BY: D.D. BEARD
DESIGNED BY: H. I. SALLS	CHECKED BY: R. S. YOUNG
SQUAD LEADER: C. P. WILLIAMS	SHEET: 19 OF 60
DECK REINFORCING PLAN	